

D
3" Midrange



Type Number: D75MX-41-08

Features:



Specs:

Electrical Data

| | | | |
|-----------------------|------|------|-----|
| Nominal impedance | Zn | 8 | ohm |
| Minimum impedance | Zmin | -- | ohm |
| Maximum impedance | Zo | 10 | ohm |
| DC resistance | Re | 5.65 | ohm |
| Voice coil inductance | Le | -- | mH |

T-S Parameters

| | | | |
|-------------------------|-----|------|-----------------|
| Resonance Frequency | fs | 300 | Hz |
| Mechanical Q factor | Qms | 7.75 | |
| Electrical Q factor | Qes | 2.22 | |
| Total Q factor | Qts | -- | |
| Force factor | Bl | 4.7 | Tm |
| Mechanical resistance | Rms | -- | Kg/s |
| Moving mass | Mms | 3.3 | g |
| Suspension compliance | Cms | -- | mm/N |
| Effective cone diameter | D | -- | cm |
| Effective piston area | Sd | 55 | cm ² |
| Equivalent volume | Vas | -- | ltrs |
| Sensitivity | | 92 | dB |

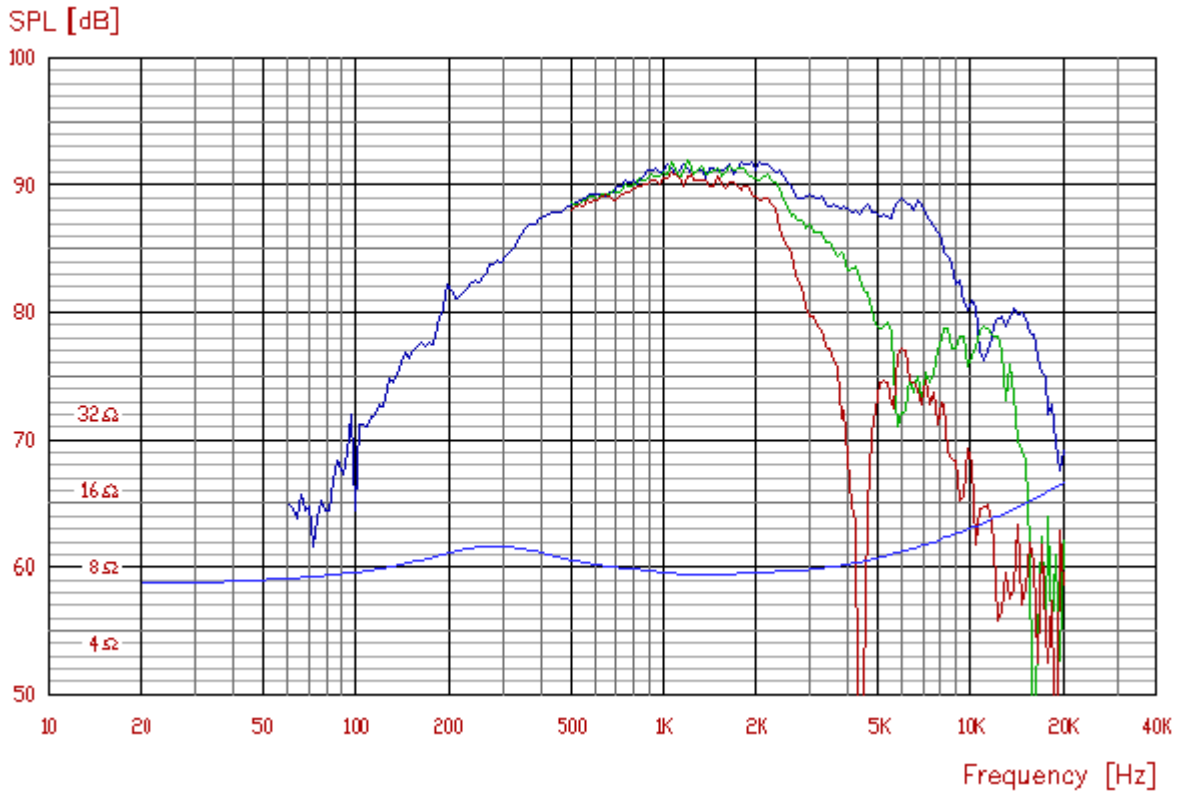
Power handling

| | | |
|----------------------------------|----|------|
| Long-term Max System Power (IEC) | -- | W |
| Max linear SPL (rms) @ power | -- | dB/W |
| Short Term Max power | -- | W |

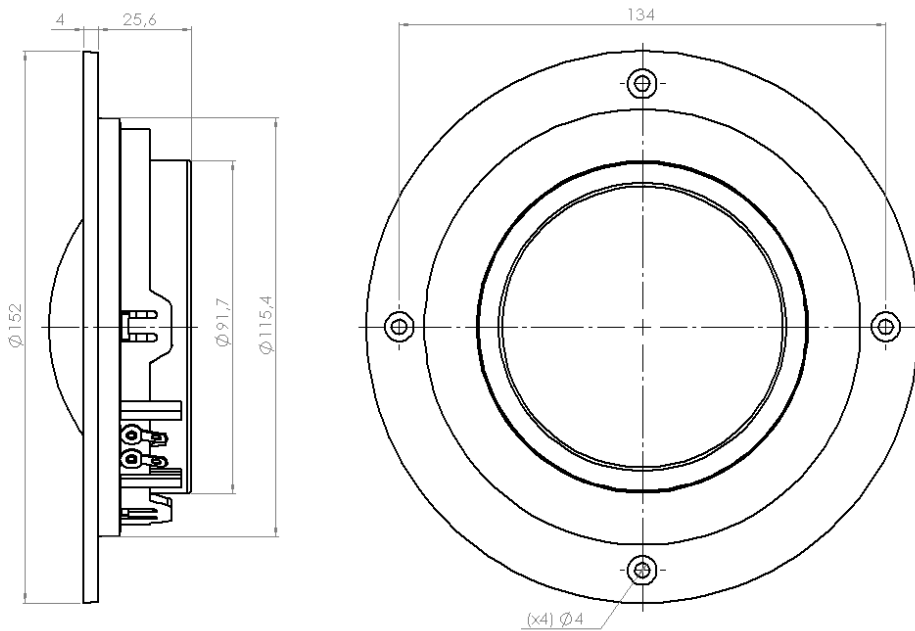
Voice Coil and Magnet Parameters

| | | |
|---------------------|------|-----|
| Voice coil diameter | 76 | mm |
| Voice coil height | 3 | mm |
| Voice coil layers | -- | |
| Height of the gap | 2 | mm |
| Flux density of gap | -- | mWb |
| Total useful flux | -- | mWb |
| Diameter of magnet | -- | mm |
| Height of magnet | -- | mm |
| Weight of magnet | 0.24 | Kg |

Frequency:



Mechanical Dimensions:



D75MX-41-08