

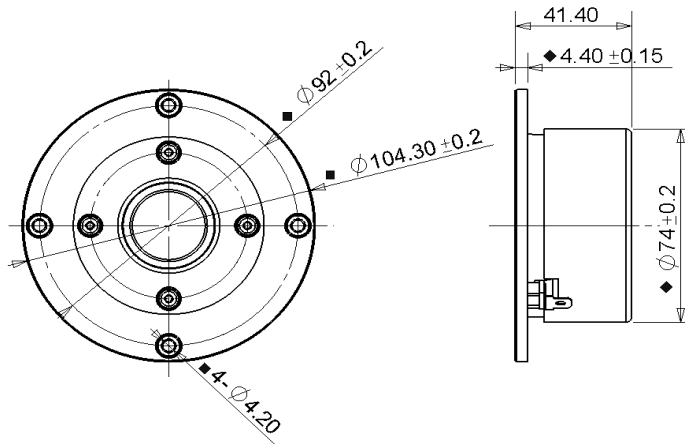


Product Description:

This BC family tweeter features a 4 ohm 25 mm voice coil, a damped fabric dome for smooth frequency response performance, and ferrofluid in the gap of the shielded ferrite magnet motor, providing enhanced cooling of the voice coil. The tweeter's faceplate features recessed mounting holes, to hide mounting screws and minimize reflections.



Mechanical 2D Drawing:



Specifications:

| | | | | | | | | |
|-----------------------------------|--------------|----------------|-----------|---------------------|----------------------------|-----------------|--------------------------|--------|
| DC Resistance | R_{evc} | Ω | 2.9 | 5.0% | Energy Bandwidth Product | EBP | $(1/Q_{es})f_s$ | 892 |
| Minimum Impedance | Z_{min} | Ω | 3.7 | 7.5% | Moving Mass | M_{ms} | g | 0.36 |
| Voice Coil Inductance | L_e | mH | 0.02 | | Suspension Compliance | C_{ms} | um/N | 61.1 |
| Resonant Frequency | f_s | Hz | 1070 | 15.0% | Effective Cone Diameter | D | cm | 3.2 |
| Mechanical Q Factor | Q_{ms} | - | 2.4 | | Effective Piston Area | S_D | cm ² | 8.2 |
| Electrical Q Factor | Q_{es} | - | 1.20 | | Equivalent Volume | V_{as} | L | 0.01 |
| Total Q Factor | Q_{ts} | - | 0.80 | | Motor Force Factor | BL | T·m | 2.44 |
| Ratio f_s / Q_{ts} | F | f_s / Q_{ts} | 1341 | | Motor Efficiency Factor | β | $(T \cdot m^2) / \Omega$ | 2.03 |
| Half Space Sensitivity @ 2.83V | dB@2.83V/1m | dB | 93.9 | +/-1.0 ¹ | Voice Coil Former Material | VC _m | - | ASV |
| Sensitivity @ 1W/1m | 1W/1m | dB | 89.6 | +/-1.0 ¹ | Voice Coil Inner Diameter | VC _d | mm | 25.4 |
| | | | | | Gap Height | Gh | mm | 3.0 |
| Rated Noise Power (IEC 2685 18.1) | P | W | 50 | | Maximum Linear Excursion | X_{max} | mm | 0.50 |
| Test Spectrum Bandwidth | 1kHz - 20kHz | | 12 dB/Oct | | Ferrofluid Type | FF | | APG027 |
| | | | | | Transducer Size | - | inch | 1 |
| | | | | | Transducer Mass | - | kg | 0.66 |

1 - Piston Band Sensitivity Tolerance

Frequency and Impedance Response:

