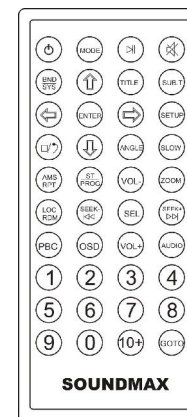
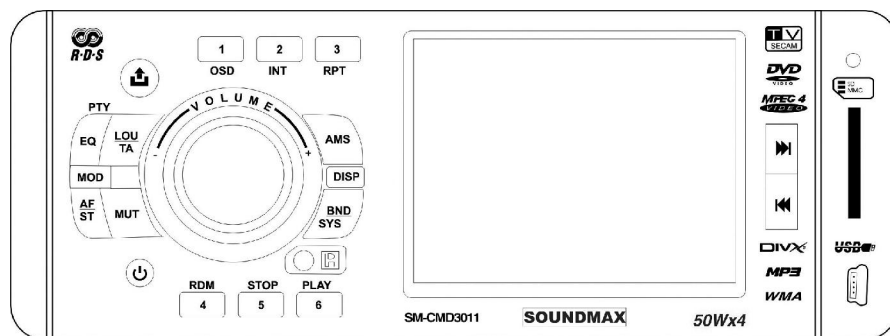


SOUNDMAX

SM-CMD3011



MULTIMEDIA DVD/CD/MP3 RECEIVER WITH BUILT-IN 3.5" TFT DISPLAY
AND TV TUNER
Instruction manual

МУЛЬТИМЕДИЙНЫЙ DVD/CD/MP3-РЕСИВЕР СО ВСТРОЕННЫМ 3.5"
TFT-ДИСПЛЕЕМ И ТВ-ТЮНЕРОМ
Руководство по эксплуатации

Dear customer!

Thank you for purchasing our product. For safety, it is strongly recommended to read this manual carefully before connecting, operating and/or adjusting the product and keep the manual for reference in the future.

Table of contents

Table of contents.....	2
Important safeguards	3
Accessories.....	4
Installation/Connection	5
Panel controls	9
General operation.....	12
Radio operation.....	14
USB/SD/MMC cards/Disc operations	16
MP3 overview	21
System setup menu.....	22
TV Operation	24
Back view camera	25
Handling discs.....	25
Cleaning.....	25
Troubleshooting guide.....	26
Specification	27

Important safeguards

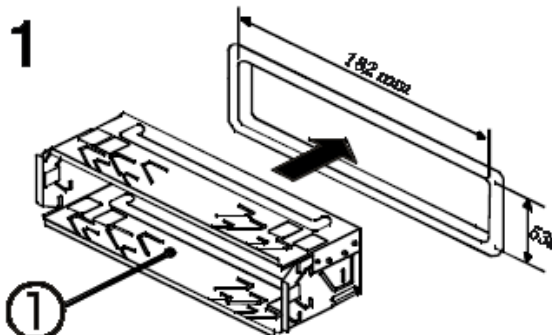
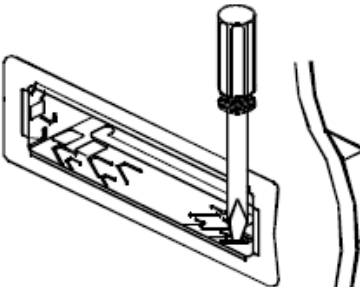
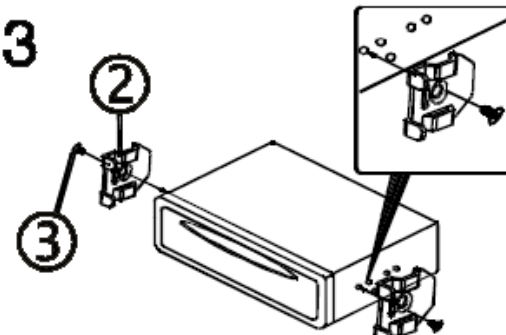
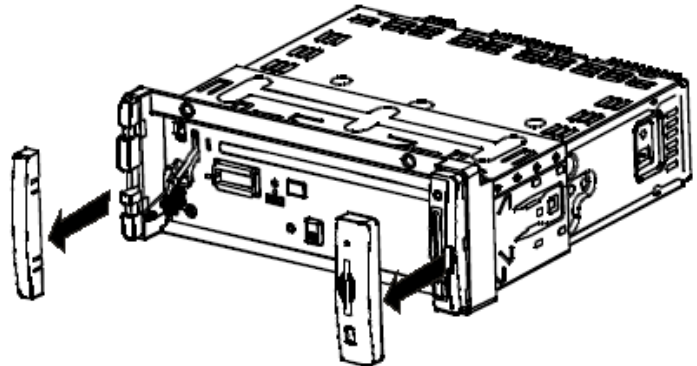
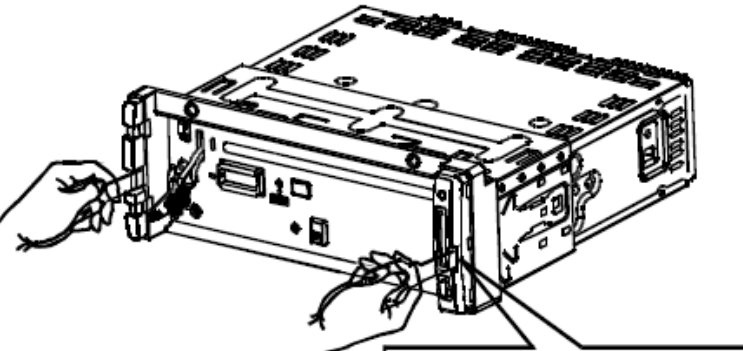
- Using the device at temperature below -10°C may cause the breakage of the device. Before using please heat up the passenger compartment to the recommended temperature!
- Disconnect the vehicle's negative battery terminal while mounting and connecting the unit.
- When replacing the fuse, be sure to use one with an identical amperage rating. Using a fuse with a higher amperage rating may cause serious damage to the unit.
- Do not attempt to disassemble the unit. Laser beams from the optical pickup are dangerous to the eyes.
- Do not use the unit in places where it can be exposed to water, moisture and dust.
- Make sure that pins or other foreign objects do not get inside the unit; they may cause malfunctions, or create safety hazards such as electrical shock or laser beam exposure.
- If you have parked the car for a long time in hot or cold weather, wait until the temperature in the car becomes normal before operating the unit.
- Do not open covers and do not repair yourself. Consult the dealer or an experienced technician for help.
- Make sure you disconnect the power supply and aerial if you will not be using the system for a long period or during a thunderstorm.
- Make sure you disconnect the power supply if the system appears to be working incorrectly, is making an unusual sound, has a strange smell, has smoke emitting from it or liquids have got inside it. Have a qualified technician check the system.
- The unit is designed for negative terminal of the battery, which is connected to the vehicle metal. Please confirm it before installation.
- Do not allow the speaker wires to be shorted together when the unit is switched on. Otherwise it may overload or burn out the power amplifier.

Accessories

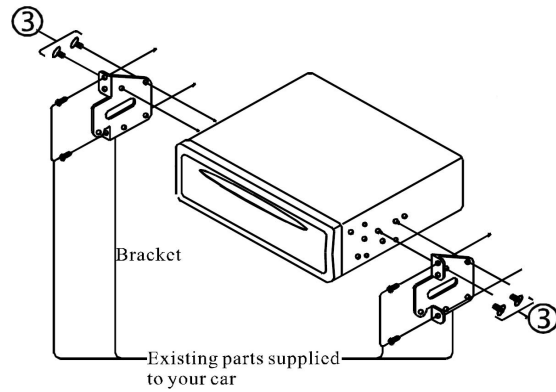
1. Mounting Sleeve	1 pc
2. Bracket	2 pcs
3. Key	2 pcs
4. Screw 2.6X4	2 pcs
5. Outer Frame	1 pc
6. Rear Mounting Bolt	1 pc
7. Harness Rubber	1 pc
8. Customer information	1 pc
9. Warranty card	1 pc
10. Instruction manual	1 pc
11. Receiver	1 pc
12. USB extension cable	1 pc

Installation/Connection

Installation method 1

<p>1</p>  <p>Put in the mounting sleeve.</p>	<p>2</p>  <p>Bend these claws outward for a tight fit, if necessary.</p>	<p>3</p>  <p>Fix the springs on each side.</p>
<p>4</p>  <p>Take out the right and left covers before dismantling the unit.</p>	<p>5</p>  <p>Dismounting the unit, energize to pull out the unit after insert the key on both sides.</p>	

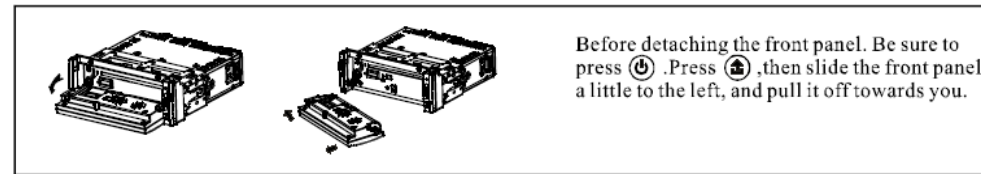
Installation method 2



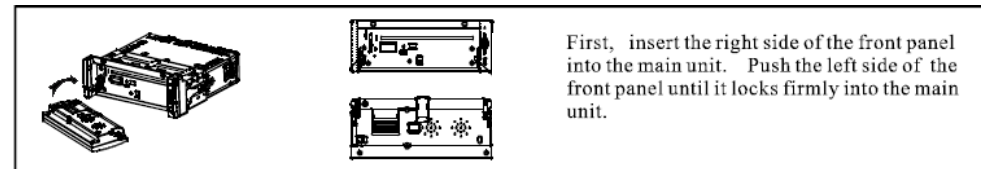
This mounting method is used for Japanese cars.

1. Store small articles in places not accessible for children.
2. Install only with the supplied screws.
3. Installation varies depending on the types of cars and supplied parts. You should have the unit installed by qualified technician.

Detaching the front panel



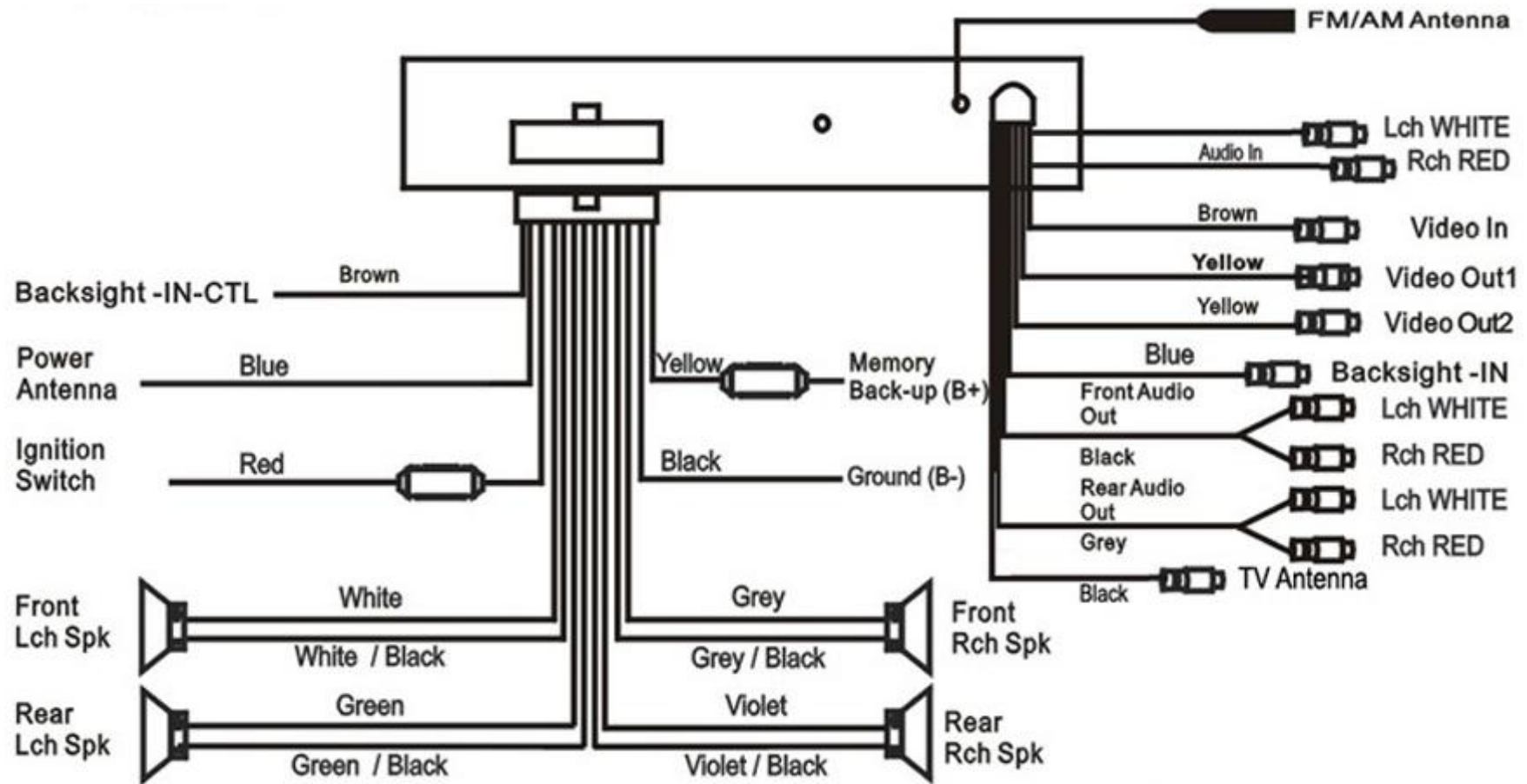
Replacing the front panel



Precautions

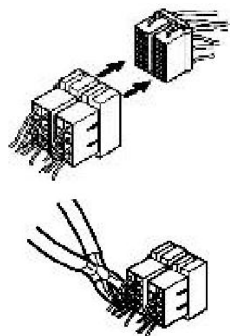
Do not touch the contacts on the front panel or on the unit body, since this may result in poor electrical contact. If dirt or dust gets on the contacts, wipe them with a clean, dry cloth.

Electrical connection



Note: For your driving safety, please link your parking wire with low power level, and keep it controlled by manual brake switch. Wire should be high power level and the unit cannot play video disc.

Using the ISO Connector

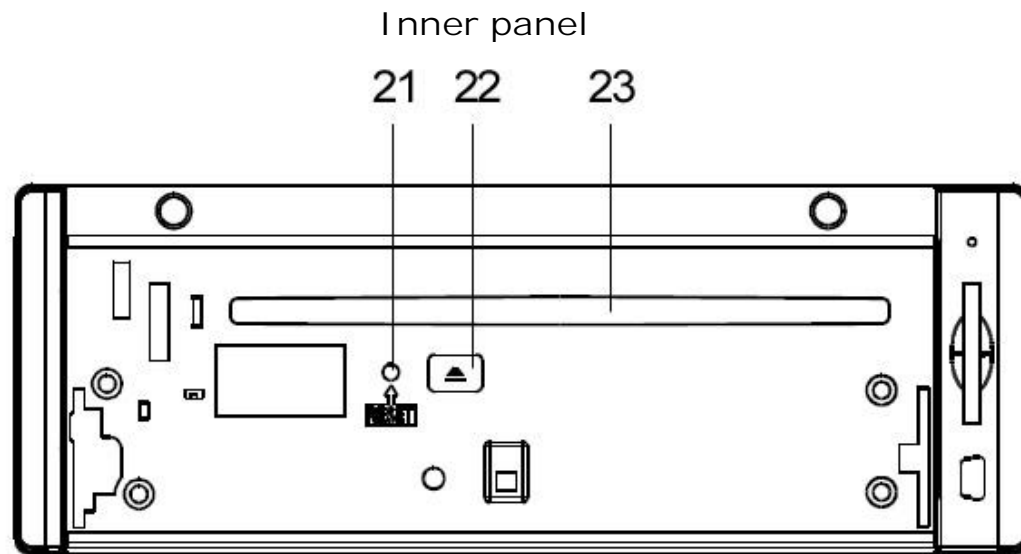
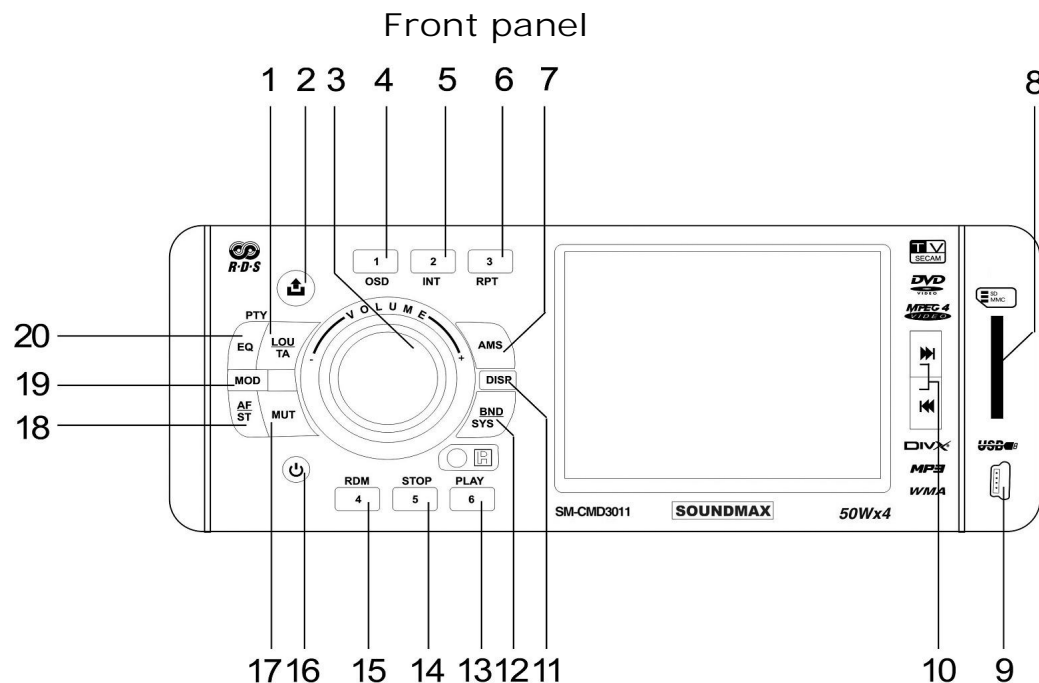


1. If your car is equipped with the ISO connector, then connect the ISO connectors as illustrated.
2. For connections without the ISO connectors, check the wiring in the vehicle carefully before connecting, incorrect connection may cause serious damage to this unit.
3. Cut the connector, connect the colored leads of the power cord to the car battery as shown in the color code table below for speaker and power cable connections.

		Function	
Nº	Connector A	Nº	Connector B
1		7	Rear Right (+)---Violet
2		8	Rear Right (-)---Violet /Black Stripe
3		9	Front Right (+)---Gray
4	Battery 12V (+)/yellow	10	Front Right (-)---Gray/Black Stripe
5	Auto Antenna/blue	11	Front Left (+)---White
6		12	Front Left ((-)---White/Black Stripe
7	ACC+/red	13	Rear Left (+)---Green
8	Ground/black	14	Rear Left (-)---Green/Black Stripe

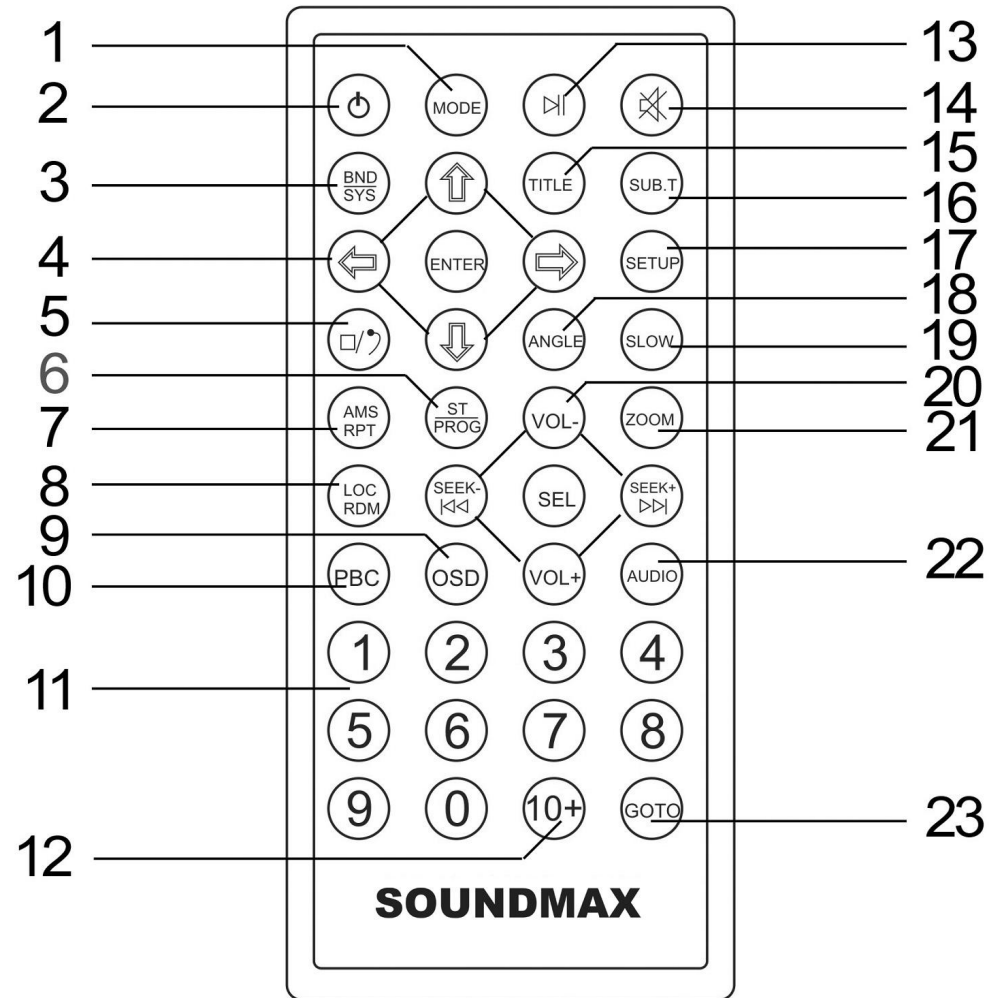
Panel controls

1. LOU/TA button
2. OPEN button
3. VOL knob/SEL button
4. 1/OSD button
5. 2/INT button
6. 3/RPT button
7. AMS button
8. SD/MMC slot
9. USB jack
10. PREVIOUS/NEXT button
11. DISP button
12. BND/SYS button
13. 6/PLAY button
14. 5/STOP button
15. 4/RDM button
16. PWR button
17. MUT button
18. AF/ST button
19. MOD button
20. EQ/PTY button
21. RESET button
22. EJECT button
23. Disc slot

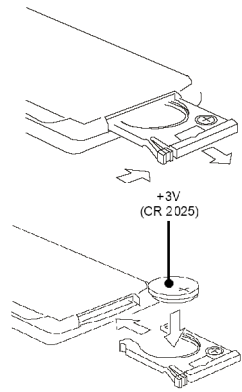


Remote control

1. MODE button
2. PWR button
3. BND/SYS button
4. Cursor buttons (LEFT/RIGHT/UP/DOWN), ENTER button
5. STOP/RETURN button
6. ST/PROG button
7. AMS/RPT button
8. LOC/RDM button
9. OSD button
10. PBC button
11. Number buttons
12. 10+ button
13. PLAY/PAUSE button
14. MUTE button
15. TITLE button
16. SUB/T button
17. SETUP button
18. ANGLE button
19. SLOW button
20. VOL-/VOL+/SEEK-/PREVIOUS/SEEK+/NEXT/SEL buttons
21. ZOOM button
22. AUDIO button
23. GOTO button



Changing the battery



1. Press the catch and at the same time pull out the battery tray.
2. Insert the 1 x lithium battery, type CR 2025 3V battery with the stamped (+) mark facing upward. Insert the battery tray into the remote control.

Warning:

- Store the battery where children cannot reach. If a child accidentally swallows the battery, consult a doctor immediately.
- Do not recharge, short, disassemble or heat the battery or dispose it in a fire.
- Do not expose or bring into contact the battery with other metallic materials. Doing this may cause the battery to give off heat, crack or start a fire.
- When throwing away or saving the battery, wrap it in tape and insulate; otherwise, the battery may give off heat, crack or start a fire.

General operation

Reset the unit

Operating the unit for the first time or after replacing the car battery, you must press OPEN button to flip down the front panel. Press RESET button with a pointed object to restore the unit to the original factory settings.

Note: When some errors occur in the display, you can also press RESET button to resume to normal. It will erase the clock setting and some memorized functions.

Power on/off

Press PWR button on the panel or on the RC to turn the unit on. Press and hold PWR button on the front panel or press PWR button on the RC to turn the unit off.

Note: After the unit is off, the volume level and radio current settings will be memorized, and when you turn the unit on it will resume the stored status, which you set.

Volume control

Rotate VOL knob on the panel or press VOL+/- buttons on the RC to adjust the volume level.

Mute function

Press MUT button on the panel or MUTE button on the RC to disable the sound. "MUTE ON" will appear on the display. Press these buttons again or press VOL+/- buttons or rotate VOL knob to resume the volume.

Setting the sound and picture characteristics

Press SEL button to select a parameter: VOL (volume) => BAS (bass) => TRE (treble) => BAL (balance) => FAD (fader) => BRT (brightness) => COT (contrast) => COR (color) => HUE (hue). Press VOL+/- buttons on the RC or rotate VOL knob to adjust each parameter.

Notes:

- If you turn on Preset EQ function, Bass and Treble cannot be adjusted.
- If you don't perform any operations within 5 seconds after selecting a parameter, the unit will automatically return to the current mode.

Mode control

Press MODE button on the panel or MOD button on the RC to select different source modes: TUNER => DISC (the type of disc in the unit if there is any) => USB (if a USB device is inserted) => CARD (if a SD/MMC card is inserted) => AUX => TV.

Clock setting

1. Press and hold for 3 seconds DISP button, the hour will change its color.
2. Press VOL+/- buttons on RC or rotate VOL knob on the panel to adjust the hour.
3. Press SEL button, the minute will change its color.
4. Press VOL+/- buttons on RC or rotate VOL knob on the panel to adjust minutes.

LOUD function

Press LOU/TA button to turn on/off LOUD function. When turning on LOUD mode, it will enhance bass level immediately when the bass is not enough.

Equalizer mode

Press and hold EQ/PTY button for 3 second to select the preset music equalizer modes: POP => ROCK => CLAS. The sound effect will be changed.

Radio operation

Band selection

Press BND/SYS button repeatedly to select FM1, FM2, FM3, AM1, AM2. Display will show the wave band, frequency and preset station number if already stored.

Manual/Automatic tuning

- Manual tuning: Press PREVIOUS/NEXT buttons on the panel or SEEK+/SEEK- buttons on the RC to select a station upward or downward step-by-step.
- Automatic tuning: Press and hold for 3 seconds PREVIOUS/NEXT buttons on the panel or SEEK+/SEEK- buttons on the RC, the automatic search will start. It will play when finds the station.

Store function

You can store up to a total of 30 radio stations in the memory (18 FM, 12 AM).

- To store a station:
 - Select a band (if needed)
 - Select a station with PREVIOUS/NEXT buttons on the panel or SEEK+/SEEK- buttons on the RC.
 - Press and hold for 3 seconds a number button (1-6), under which you want to store the station.
- To recall a station:
 - Select a band (if needed)
 - Press a number button (1-6) briefly to recall the stored station.

Preset scan function

Press AMS button to scan for 10 seconds each preset station in the memory of the current band. To stop preset scan, press this button again.

Auto memory store function

Press and hold for 2 seconds AMS button to enter auto store mode. The radio will automatically store the 6 strongest available stations to the 6 preset memories of the current band. To stop auto store, press AMS button.

Mono/Stereo selection

Press the AF/ST button to select the channel mode: MONO or STEREO. When Stereo reception is activated, "ST ON" appears on the display.

Local mode

Press LOC/RDM button on the RC to switch on/off Local tuning mode. When Local mode is on, "LOC ON" appears in the display and only local stations are available. When Local mode is off both distance and local stations can be received.

RDS function

RDS (Radio Data System) service availability varies with areas. Please understand if RDS service is not available in you area, the following service is not available, either. Press EQ/PTY button to turn on/off RDS function. When the function is on, "RDS" will appear on the display.

AF (Alternative Frequencies) function

Press AF/ST button to switch on/off AF function. "AF ON" will appear on the display. The tuner will return to Alternative Frequencies whenever the reception signals getting worse.

PTY (Program Type) function

Press EQ/PTY button to turn the PTY function on. Rotate VOL knob on the panel or press VOL+/- buttons on the RC to select the program type.

Notes:

- When PTY is selected, the radio starts to search corresponding PTY information and stops of the corresponding PTY information is detected.
- If corresponding PTY information is not found, normal radio reception is resumed.

TA (Traffic Announcement) function

Press LOU/TA button to select the TA mode on/off. Traffic announcement interrupts CD play or radio listening when being broadcasted.

USB/SD/MMC cards/Disc operations

Disc glossary

PBC (Play Back Control)

PBC is a menu recorded on the disc with SVCD or VCD2.0 format. For the discs contained PBC, it can playback interactive software with the menu displayed on TV. And if the disc contains still images, it can playback high definition of still image.

Title

The title is the important part of DVD disc. The memory volume of the disc is rather big, that makes possible to record several films on one disc. For example, if a disc contains three films, they may be divided into Title 1, Title 2 and Title 3. You can easy use the functions of looking-for.

Chapter

A title can be divided into several blocks, so that every block can be operated as a unit, the unit is called chapter. The chapter contains a unit at least.

Track

It is the biggest component of VCD. Generally, every song of karaoke disc is a track.

Loading a disc

Press OPEN button on the panel to flip it down. Insert the disc with the printed side facing upward into the slot. Close the panel. The disc will be loaded and played automatically. If the unit is in another mode, press MODE button on the RC or MOD button on the unit to select DISC mode.

Press EJECT button on the panel to eject the disc (the disc cannot be ejected in the pause mode).

Inserting a SD/MMC card/USB device

Insert the MMC/SD card or USB device into the corresponding slot. The unit will automatically switch to the needed mode.

Note: When MMC/SD card and USB device are both inserted into their slots, the playing mode will be changed into the mode of the later one. Some USB driver models cannot be supported by this unit.

Playing/pausing

When the disc/card/USB has been loaded, the playback of the first track starts automatically. To ensure good system performance, wait until the unit finishes reading the disc information before proceeding. Or press the PLAY/PAUSE button on the RC or 6/PLAY button on the unit to start playback. Press it again to pause the playback. Press again to resume the playback.

Stop playback

During playback, press STOP/RETURN button on the RC or 5/STOP button on the unit. Playback will be stopped.

For DVD discs: If PLAY/PAUSE button on the RC or 6/PLAY button on the unit is pressed, playback will start from the position at which it was stopped. If the disc is removed, the resume function is cancelled. Press STOP/RETURN button on the RC or 5/STOP button on the unit again to finally stop the playback.

Playing the previous/next track

During playback press PREVIOUS/NEXT buttons on the panel or on the RC to select the next or previous track to play.

Fast forward and backward playback

For DVD/VCD: Press and hold for 2 seconds PREVIOUS/NEXT buttons on the panel or on the RC to select the speed of fast playing in forward or backward direction: X2 => X4 => X8 => X16 => X20. Press PLAY/PAUSE button on the RC or 6/PLAY button on the unit to return to normal playback.

For other formats: Press and hold for 2 seconds PREVIOUS/NEXT buttons on the panel or on the RC to fast forward or rewind the current track.

Slow playback (for DVD/VCD)

During DVD/VCD playback press SLOW button for slow playback. With each consecutive pressing of SLOW button, the playback speed decreases: X1/2 => X1/3 => X1/4 => X1/5 => X1/6 => X1/7. During slow forward, press PLAY/PAUSE button on the RC or 6/PLAY button on the unit to resume normal playback.

Repeat playback

Press the 3/RPT button on the unit or AMS/RPT button on the RC repeatedly to select a repeat playback mode:

- For VCD/CD: display appears REP 1 => OFF.
- For DVD: display appears REP Chapter => REP Title => OFF.
- For MP3 disc: display appears REP 1 => REP DIR => REP OFF.

Random playback

During playback press the LOC/RDM button on the RC or 4/RDM button on the unit to turn on/off the random playback mode. This function is not available for DVD discs.

Intro playback (for CD/VCD)

You can play the beginning of every track for 10 seconds in sequence. Press the 2/INT button to start intro play of whole disc. Press again to cancel.

Menu navigation (for DVD only)

1. Press TITLE button on the RC to activate the disc title list on the screen.
2. Press the cursor buttons to select the desired title. Then press ENTER button or PLAY/PAUSE button on the RC or 6/PLAY button on the unit to open the root menu of the selected title.
3. Press the cursor buttons to select desired track, then press ENTER or PLAY/PAUSE button to play the selected track.

PBC (Playback Control) function (for VCD only)

If you insert a VCD with PBC, playback starts from the beginning of the 1st track automatically.

1. Press PBC button on the RC to activate PBC menu on screen during playback.
2. If the menu consists of a list of titles, you can select a desired one using the number buttons on the RC to play.

Programming the playback

1. Press ST/PROG button on the RC to enter program list.
2. Use cursor buttons to move to the desired position, and press number buttons on the RC to input the number of the desired chapter/track to be on selected position.
 - For DVD select title and chapter number.
 - For VCD, CD, MP3, WMA, select track number.
3. Move the cursor to select PLAY and press ENTER button to play.
4. If you want to delete the list, move the cursor to CLEAR, press ENTER button to delete all the list set before.
5. Press ST/PROG button again to exit program play.

On-screen display (OSD)

During playback press OSD button on the RC repeatedly to show various playback information on the screen. The information may include (depending on the disc type): the number of the current title/track/chapter, the elapsed time of the current title/track/chapter, the remaining time of the current title/track/chapter, the elapsed time of the disc, the remained time of the disc.

Selecting subtitle languages (for DVD only)

During playback press SUB-T button on the RC repeatedly to select the language of the subtitles or turn off the subtitles (depending on the disc used).

Selecting audio languages (for DVD only)

During DVD disc playback press AUDIO button on RC repeatedly to select the audio language (if the disc supports multi-language mode).

Changing size (for DVD/VCD)

During playback press ZOOM button on the RC continuously to change the size of the picture on the screen: X2, X3, X4, X½, X1/3, X¼, ZOOM OFF. Using cursor buttons you can move the enlarged picture.

Changing angle (for DVD only)

If a DVD disc supports multi-angle playback, press ANGLE button on the RC to playback images in different camera angles. If discs doesn't support multi-angle playback, this function will not work.

Selecting the channel (for VCD only)

During VCD disc playback press AUDIO button on the RC to select the channel: Left => Right => Stereo.

TV type select (for DVD/VCD)

Press BAND/SYS button on the RC to select the TV type: NTSC => PAL => AUTO.

GOTO function

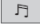


During playback press GOTO button, the goto menu will appear on the display. Use LEFT/RIGHT cursor buttons to move to the needed menu item; use number buttons to input the needed number of chapter/track and the needed time. The unit will go to playback the disc according to the input data.

Mixed disc operations

When a disc containing audio, picture and video files is played, Category/Folder/File list will be displayed on the display, and the name of currently played file/folder will be displayed on top. Current selected item will be highlighted.

Category Select

Use LEFT/RIGHT cursor buttons to select:

-  Audio files
-  Picture files
-  Video files.

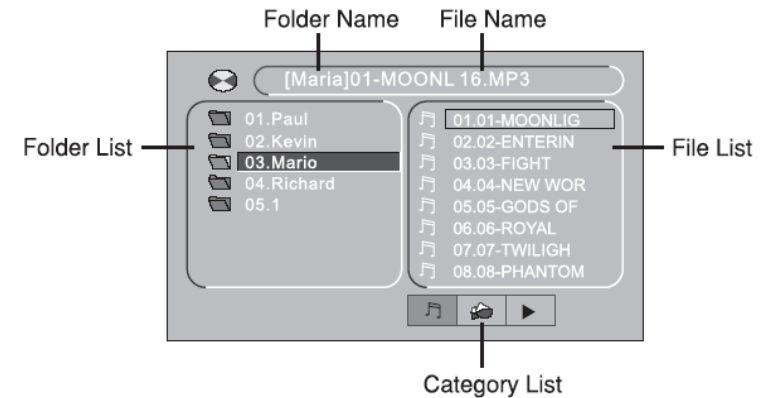
Press ENTER button to confirm.

Folder select

1. Use LEFT/RIGHT cursor buttons to enter a folder list and UP/DOWN cursor buttons to select the desired folder.
2. Press ENTER button to confirm.

File select

1. Use LEFT/RIGHT cursor buttons to enter file list and UP/DOWN cursor buttons to select the desired file.
2. Press ENTER button for playback.
 - For picture files, press PLAY/PAUSE button to slide show the pictures.
 - For Video and Picture, press STOP/RETURN button on the RC or 5/STOP button on the unit to enter Category/Folder/File list.



MP3 overview

Notes on MP3:

- MP3 is short for MPEG Audio Layer 3 and refers to an audio compression technology standard.
- This product allows playback of MP3 files on CD-ROM, CD-R or CD-RW discs.
- The unit can read MP3 files written in the format compliant with ISO 9660. However it does not support the MP3 data written by the method of packet write.
- The unit can not read an MP3 file that has a file extension other than “.mp3”.
- If you play a non- MP3 file that has the “.mp3” extension, you may hear some noise.
- In this manual, we refer to what are called “MP3 file” and “folder” in PC terminology as “track” and “album”, respectively.
- Maximum number of directory level is 8, including the root directory. Maximum number of files and folders per disc is 448.
- The unit may not play tracks in the order of Track numbers.
- The unit plays only the audio tracks if a disc contains both audio tracks and MP3 files.
- When playing a disc of 8 kbps or “VBR”, the elapsed playing time in the display window will not be correct and also the intro play may not function properly. “VBR”: Variable Bit Rate.

Notes on creating your own CD-R or CD-RW containing MP3 files:

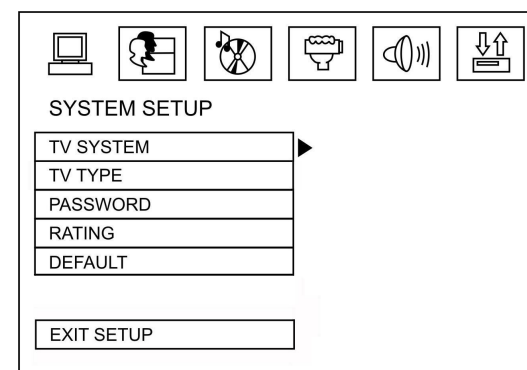
- To enjoy high quality sound, we recommend converting to MP3 files with a sampling frequency of 44.1 kHz and a fixed bit rate of 128 kbps.
- Do not store more than 448 MP3 files per disc.
- For ISO 9660 - compliant format, the maximum allowable depth of nested folders is 8, including the root directory (folder).
- When CD-R disc is used, playback is possible only for discs, which have been finalized.
- Make sure that when MP3 CD-R or CD-RW is burned that it is formatted as a data disc and NOT as an audio disc.
- You should not write non-MP3 files or unneeded folders along with MP3 files on the disc otherwise it takes a long time until the unit starts to play MP3 files.
- With some CD-R or CD-RW media, data may not be properly written depending on its manufacturing quality. In this case, data may not be reproduced correctly. High quality CD-R or CD-RW disc is recommended.
- Up to 16 characters are displayed for the name of an Album or a Track. ID3TAG version 1.x is required.
- Note that the unit may not play Tracks in the order that you wrote them to the disc.

System setup menu

1. Press the SETUP button on the RC to display the system setup menu.
2. Use the LEFT/RIGHT cursor buttons on RC to select the desired menu: System setup, Language setup, Audio setup, Video setup, Speaker setup, Digital setup.
3. Press OK to enter it.
4. Use the UP/DOWN cursor buttons to select the desired setting.
5. Press RIGHT to enter the setting adjustment subwindow.
6. Press the UP/DOWN cursor buttons to select the option of the setting and press OK to confirm it.

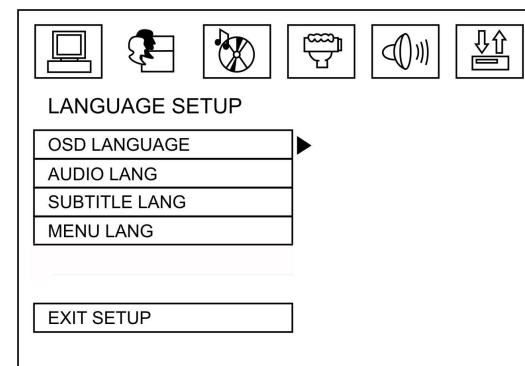
System setup

- TV system
This unit is suitable for all kinds of TV systems. You can select:
Auto: the TV system is auto switched according to the disc system.
NTSC: this system is used in USA, Taiwan, Japan etc.
PAL: this system is used in China, Europe, Hong Kong etc.
- TV type
4:3 PS: When the unit connects to the normal TV set, the wide-screen image shows on the full screen, but some part is cut off.
4:3 LB: When the unit connects to the normal TV set, the wide-screen image shows and black bars appear on the top and bottom of screen.
16:9: Use this item when the unit is connected with the wide screen TV set.
- Password
Here you can change the password. Insert your old password or 0000 (the general one). Insert the new password. Insert it again. Press OK button to save the new password.
- Rating
The rating level is for parents to control playing content and protect your children from violence and erotic. The disc, the level of which is higher than the setting level cannot be played.
To change the parental control level you should enter the password (your or the general one: 0000).
- Default
Reset to the initial factory setups.



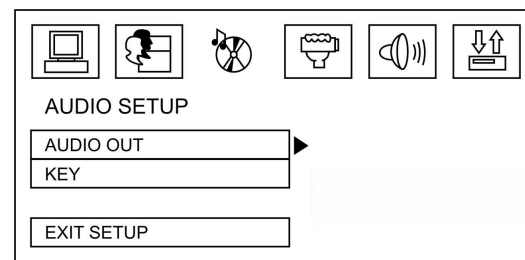
Language setup

- OSD language
Select the OSD language.
- Audio language
Select the audio language (if DVD disc supports several audio languages).
- Subtitle language
Select the subtitle language (if DVD disc supports several subtitle languages).
- Menu language
Select the DISC menu language (if DVD disc supports several menu languages).



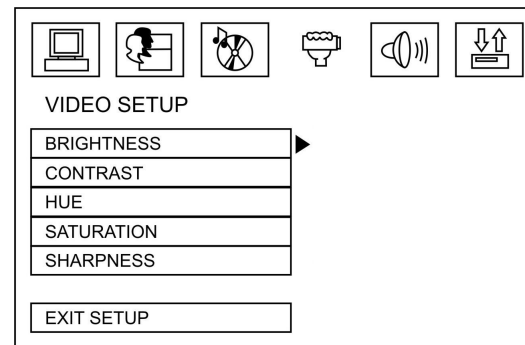
Audio setup

- Audio out
- SPID/OFF: There is no signal output from the coaxial or optical output end.
SPDIF/RAW: When the unit is connected with the amplifier by coaxial or optical connector, please select this mode.
SPDIF/PCM: When the unit is connected with the two channels digital stereo amplifier, please select this mode.
- Key
Setup basic music tone.



Video setup

- Brightness, Contrast, Hue, Saturation, Sharpness
You can set the Brightness, Contrast, Hue, Saturation, Sharpness according to your preference.

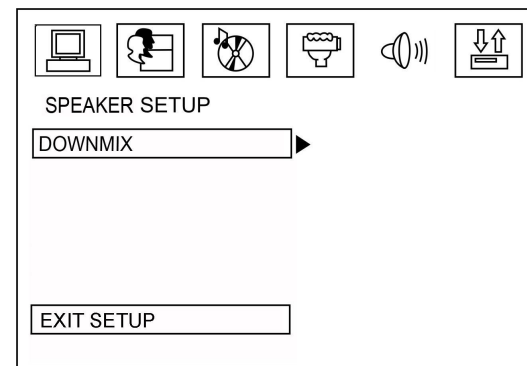


Speaker setup

LT/RT: The audio out is Left and Right channels format even if the original sound is 5.1CH format.

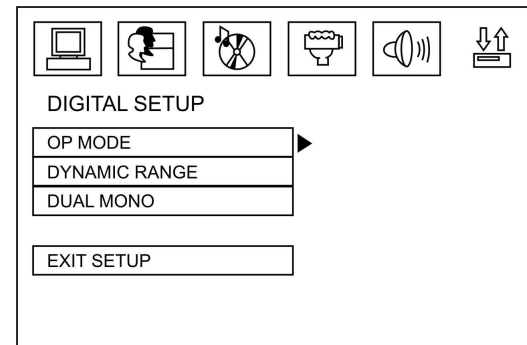
Stereo: The audio out format is stereo even if the original sound is 5.1CH format.

VSS: The audio format Advanced Virtual Surround Sound



Digital setup

- OP MODE
Select the output mode: Line out, RF remod.
- DYNAMIC RANGE
If watching large dynamic scope movie program at night, to select this mode you can reduce the volume to a very low level, at the same time, to keep the fine details sounds. In this case, this doesn't disturb the family and keep the quality sounds.
- DUAL MONO
Stereo: stereo output signal.
Mono L: left output signal.
Mono R: right output signal.
Mix Mono: left and right output average signal.



TV Operation

Scanning /Automatically memorizing channels

Press AMS button, SCAN ONE will be displayed on the screen. It will search the first channel. Press and hold AMS button, the unit will automatically search the stations. SCAN ALL will displayed on the screen. It will search and memorize all channels. (Maximum 95 stations can be programmed).

Note: Also you can press and hold NEXT or PREVIOUS buttons to search the station.

Select the needed program by number button or press NEXT or PREVIOUS button to choose the channel.

Note: Press ST/PROG button to choose the TV system.

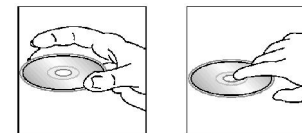
Back view camera

This unit is equipped with back view camera output. The camera is used to observe the situation behind the vehicle when you are backing the car.

Please connect your back view camera with the back car video input. And connect the detecting wire for back a car with the rear gear light. Rear view camera picture will be enabled when you are backing the car.

Handling discs

- Dirty, scratched or warped discs may cause skip ping or noise.
- Handle the disc only by the edges. To keep clean do not touch its surface.
- Discs should be stored in their cases after use to avoid scratches.
- Do not expose discs to direct sunlight, high humidity, high temperature or dust.
- Prolonged exposure to extreme temperature can warp the disc (such as leaving the discs in your car during summertime).
- Do not stick or write anything on either side of disc. Sharp writing instruments, or the inks used in some felt-tip pens, may damage its surface.
- Do not touch the unlabeled side. Do not attach any seal, label or data protection sheet to either side of a disc.



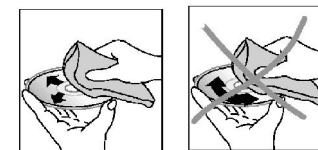
Cleaning

Cleaning the cabinet

Wipe with a soft cloth. If the cabinet is very dampen (not dropping wet) the cloth with a weak solution of soapy water, and then wipe clean.

Cleaning discs

Fingerprints should be carefully wiped from the surface of disc with a soft cloth. Unlike conventional records, compact discs have no grooves to collect dust and macroscopic dirt, so gently wiping them with a soft cloth should remove most particles. Wipe in a straight motion from the center to the edge. Never use thinner benzine, record cleaner or anti static spray on a compact disc. Such chemicals can damage its plastic surface.



Troubleshooting guide

Symptom	Cause	Solution
No power	The car ignition is not on. The fuse is blown.	If the power supply is properly connected to the car accessory switch the ignition key to "ACC". Replace the fuse.
Disc cannot be loaded.	Presence of disc inside the player.	Remove the disc in the player then put a new upward.
Disc cannot be read.	Inserting the disc in upside down. Compact disc is extremely dirty or defective. Temperature inside the car is too high.	Insert the compact disc with the label facing upward. Clean the disc or try to play a new one. Cool off until the ambient temperature returns to normal.
No sound	Volume is in minimum. Wiring is not properly connected.	Adjust volume to a desired level. Check wiring connection.
The operation keys do not work.	The built-in microcomputer is not operating properly due to noise. Front panel is not properly fix into its place.	Press the RESET button. Reinstall the front panel.
Sound skips.	The installation angle is more than 30 degrees. The disc is extremely dirty or defective.	Adjust the installation angle to less than 30 degrees. Clean the compact disc/try to play a new one.
The radio does not work, the radio station automatic selection does not work.	The antenna cable is not connected the signals are too weak.	Insert the antenna cable firmly select a station manually.

Specification

General	
Power supply:	12 V DC
Maximum power output:	50 W x 4 channels
Compatible formats:	DVD/SVCD/VCD/HDCD/MP3/WMA/CDDA/Picture-CD/JPEG/ MPEG4 (DivX)
Supported disc types:	DVD/DVD±R/DVD±RW/CD/CD-R/CD-RW/USB/SD/MMC card
Dimensions (L x W x H):	165 x 178 x 50 mm
ESP function:	40 sec. for Audio CD, 120 sec. for MP3
TFT display	
Screen size:	3.5" TFT
Resolution:	480 x 272
Aspect ratio:	4:3
Contrast ratio:	300:1
Brightness:	300 cd/m ²
View angle:	V: 120 ⁰ , H: 120 ⁰
FM Stereo Radio	
Frequency range:	65.0 – 74.0/87.5 – 108.0 MHz
Usable sensitivity:	15 dB
Preset memory stations:	18
AM section	
Frequency range:	522 kHz - 1620 kHz
Preset memory stations:	12
Audio specification	
Frequency response:	20 Hz - 20 KHz
S/N ratio:	85 dB
Separation	80 dB
Line out	
Output:	4 channel RCA line-out (2V)

Specifications are subject to change without notice. Dimensions are approximate.

Уважаемый покупатель!

Благодарим Вас за покупку нашего изделия. Для обеспечения безопасности рекомендуется тщательно изучить настоящее руководство перед подключением, эксплуатацией и/или регулировкой изделия, и сохраняйте руководство для использования в будущем.

Содержание

Содержание	28
Меры предосторожности	29
Комплект поставки	30
Установка/Подключение	31
Органы управления	35
Основные операции	38
Операции с радио	40
Операции с USB-драйверами/картами памяти SD/MMC/дисками	42
Обзор MP3	48
Настройки системы	50
Операции с ТВ тюнером	53
Камера заднего вида	53
Обращение с дисками	54
Чистка и уход	54
Руководство по устранению неисправностей	55
Технические характеристики	56

Меры предосторожности

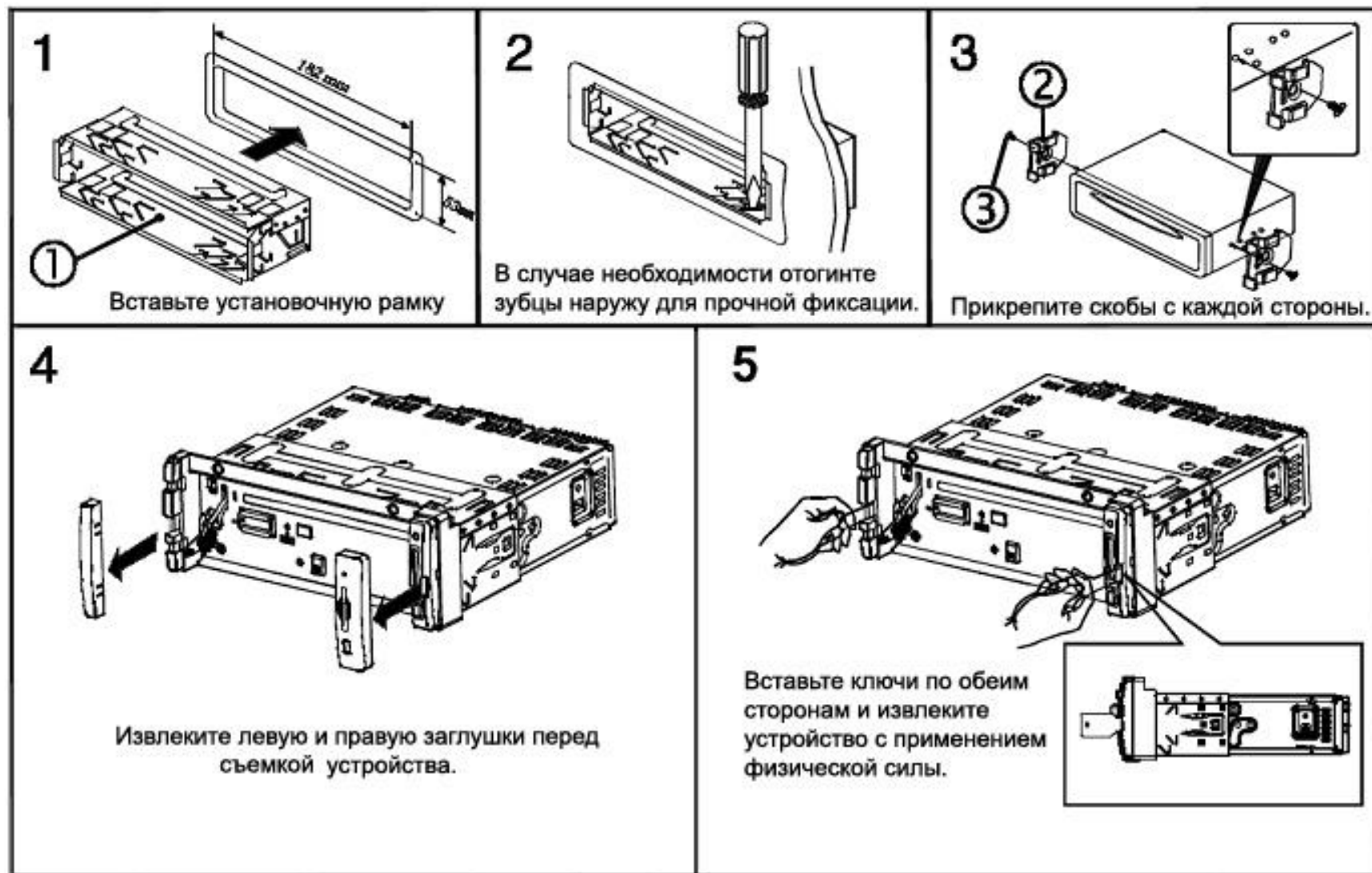
- Использование данного устройства при температуре ниже -10°C может привести к поломке. Перед использованием предварительно прогрейте салон автомобиля до рекомендованной температуры.
- При установке и подключении устройства отключите отрицательную клемму аккумулятора автомобиля.
- При замене предохранителя, убедитесь, что вы устанавливаете предохранитель с тем же номиналом. Используя предохранитель с повышенным значением тока можно причинить значительные повреждения изделию.
- Не пытайтесь разбирать устройство. Лазерные лучи, исходящие из блока оптической головки считывания информации с компакт-диска, опасны для глаз.
- Не используйте устройство в местах, где оно может подвергнуться воздействию воды, влаги и пыли.
- Убедитесь, что посторонние предметы не попали внутрь изделия. Они могут вызвать сбои в работе или стать причиной опасности, такой, как поражение электрическим током или лазерным лучом.
- Если вы ставите автомобиль на стоянку на длительное время в жаркое или холодное время года, подождите, пока температура в автомобиле не станет нормальной, перед тем как включать изделие.
- Не открывайте крышки и не проводите ремонт самостоятельно. Обратитесь к дилеру или квалифицированному персоналу.
- Убедитесь, что устройство отключено от питания во время грозы или если Вы намерены не использовать его в течение долгого времени.
- Убедитесь, что питание устройства отключено, если обнаружена неправильная работа системы, система издаёт необычные звуки, запах, выделяет дым или внутрь ее попала жидкость. Проведите квалифицированный технический осмотр системы.
- Изделие разработано так, чтобы отрицательный вывод аккумулятора был подключен к корпусу транспортного средства. Пожалуйста, убедитесь в этом перед установкой.
- Не позволяйте проводам динамиков касаться друг друга или металлических поверхностей автомобиля при включении изделия. В противном случае усилитель мощности может выйти из строя.
- Не снимайте панель, не выключив питание устройства.

Комплект поставки

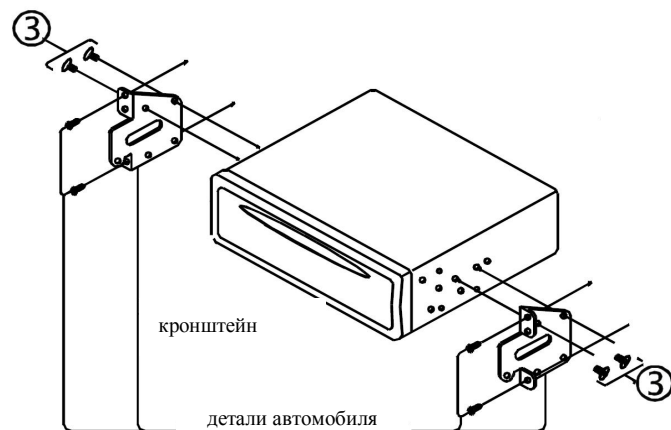
1. Установочная рамка	1 pc
2. Скоба	2 pcs
3. Ключ	2 pcs
4. Шуруп 2.6X4	2 pcs
5. Внешняя рамка	1 pc
6. Задний крепежный винт	1 pc
7. Резиновый предохранитель	1 pc
8. Информация для потребителя	1 pc
9. Гарантийный талон	1 pc
10. Руководство по эксплуатации	1 pc
11. Ресивер	1 pc
12. Удлинительный USB кабель	1 pc

Установка/Подключение

Способ установки 1



Способ установки 2



Данный способ установки используется для японских автомобилей.

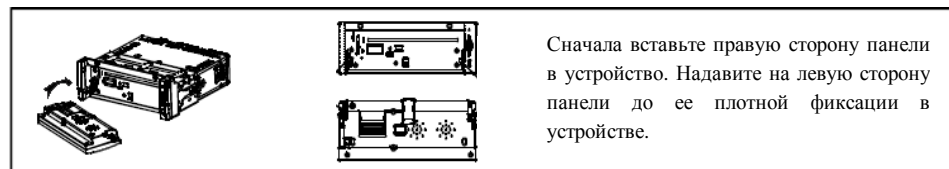
1. Храните мелкие детали в местах, недоступных для детей.
2. Устанавливайте устройство только с помощью шурупов, входящих в комплект поставки.
3. Способ установки зависит от типа автомобиля. Предоставьте установку устройства квалифицированному специалисту.

Отсоединение передней панели



Перед отсоединением передней панели нажмите кнопку PWR. Нажмите кнопку OPEN, затем слегка сместите панель влево и вытяните ее на себя.

Установка передней панели

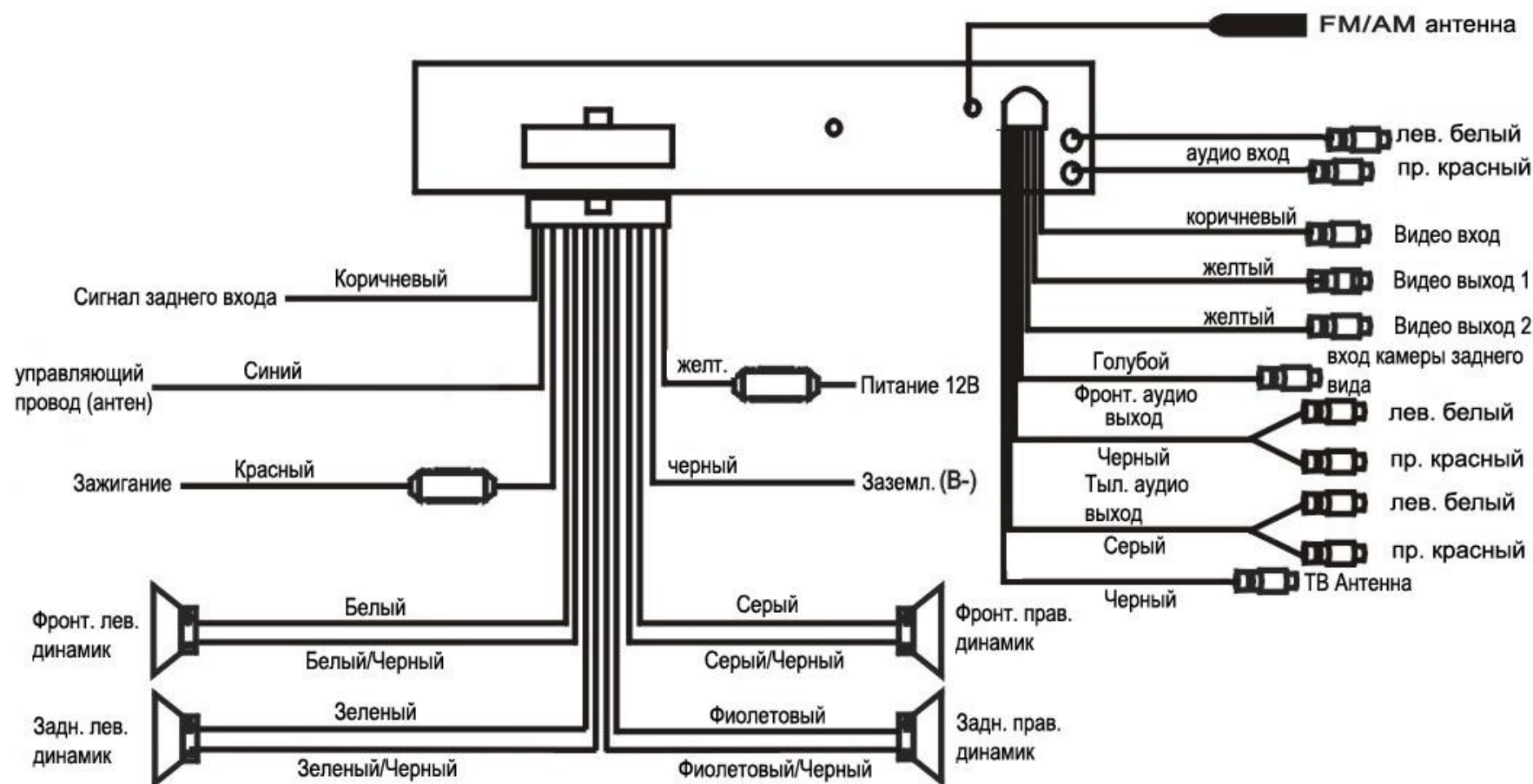


Сначала вставьте правую сторону панели в устройство. Надавите на левую сторону панели до ее плотной фиксации в устройстве.

Меры предосторожности

Не прикасайтесь к контактам на передней панели или на устройстве. При попадании на контакты грязи или пыли почистите контакты чистой сухой тканью.

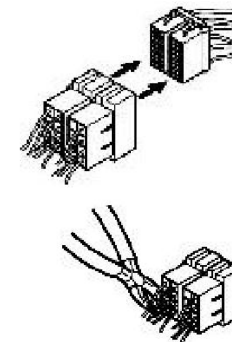
Схема электрических соединений



Примечание: Если парковочный провод подсоединен к рычагу стояночного тормоза, изображение на дисплее будет переключаться между стандартным режимом и предупредительной надписью к этой функции. Эта функция отключает видео сигнал во время движения, чтобы водитель не отвлекался от дороги. При активации ручного тормоза видео сигнал снова появляется.

Использование разъема ISO

1. Если в Вашем автомобиле есть разъем ISO, произведите подключение, как показано на рисунке.
2. Для подключений без разъемов ISO внимательно проверьте все провода перед подключением, неправильное подключение может привести к повреждению изделия и проводки автомобиля.
3. В таблице приведены справочные данные для подключения изделия без использования разъема ISO (для технических специалистов).

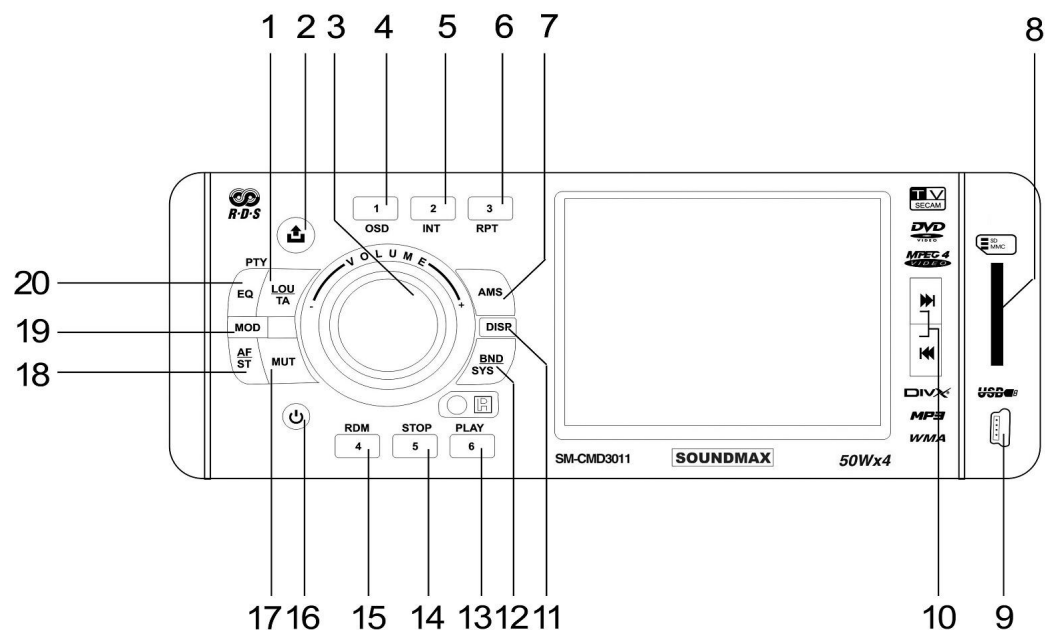


Функция			
№	Разъем А	№	Разъем В
1		7	Задний правый (+) - Фиолетовый
2		8	Задний правый (-) - Фиолетовый/Черный
3		9	Передний правый (+) - Серый
4	Питание 12В (+)/желтый	10	Передний правый (-) - Серый/Черный
5	Авто антенна /синий	11	Передний левый(+) - Белый
6		12	Передний левый (-) - Белый/Черный
7	АСС+/красный	13	Задний левый (+) - Зеленый
8	Земля/черный	14	Задний левый (-) - Зеленый/Черный

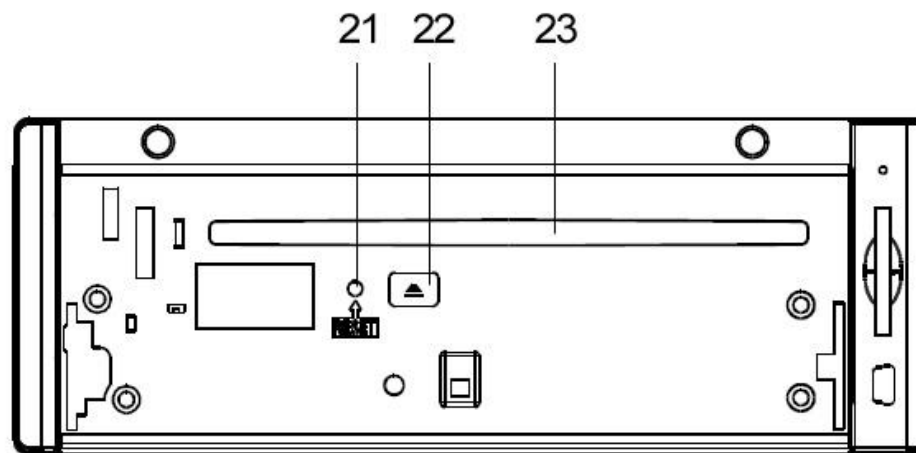
Органы управления

1. Кнопка LOU/TA
2. Кнопка OPEN
3. Регулятор VOL/Кнопка SEL
4. Кнопка 1/OSD
5. Кнопка 2/INT
6. Кнопка 3/RPT
7. Кнопка AMS
8. Слот для SD/MMC карт
9. USB разъем
10. Кнопка PREVIOUS/NEXT
11. Кнопка DISP
12. Кнопка BND/SYS
13. Кнопка 6/PLAY
14. Кнопка 5/STOP
15. Кнопка 4/RDM
16. Кнопка PWR
17. Кнопка MUT
18. Кнопка AF/ST
19. Кнопка MOD
20. Кнопка EQ/PTY
21. Кнопка RESET
22. Кнопка EJECT
23. Слот для дисков

Передняя панель

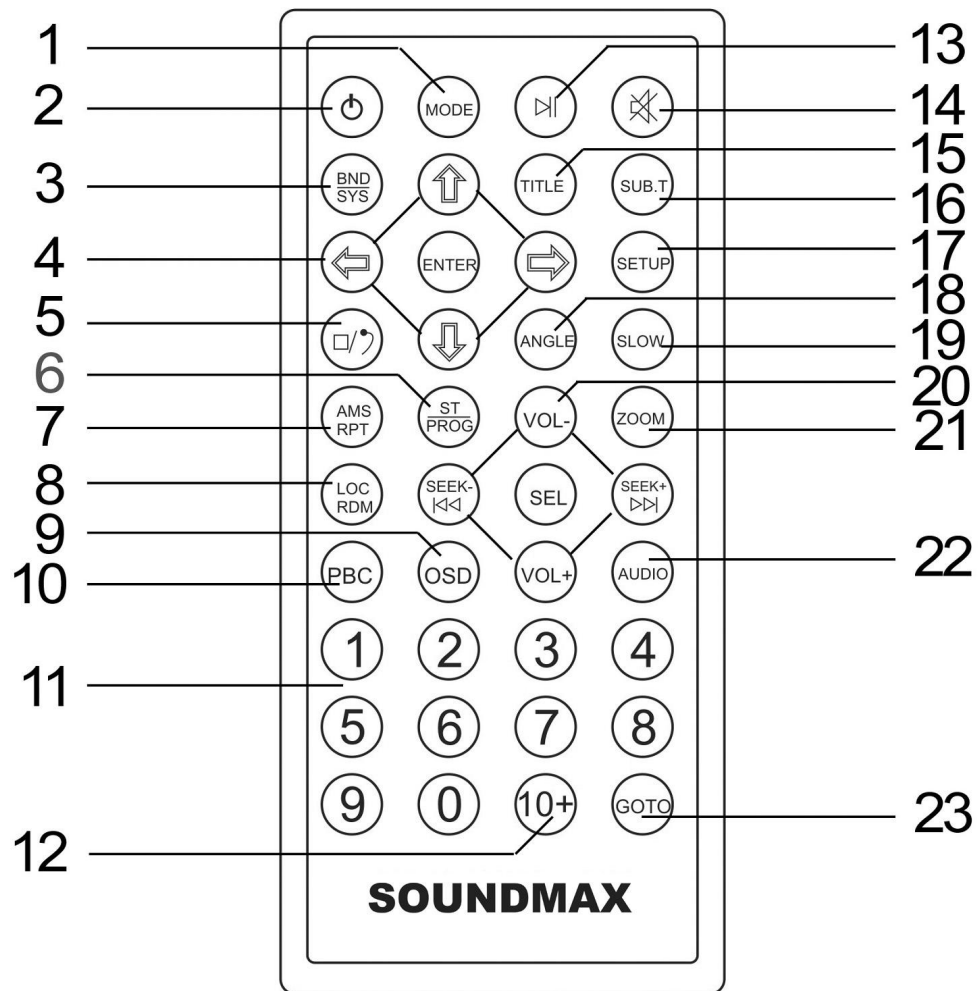


Внутренняя панель

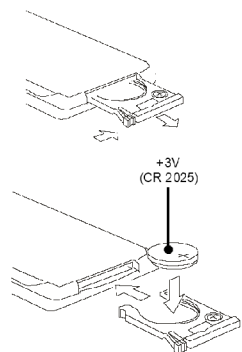


Пульт дистанционного управления

1. Кнопка MODE
2. Кнопка PWR
3. Кнопка BND/SYS
4. Кнопки курсора (ВЛЕВО/ВПРАВО/ВВЕРХ/ВНИЗ), кнопка ENTER
5. Кнопка STOP/RETURN
6. Кнопка ST/PROG
7. Кнопка AMS/RPT
8. Кнопка LOC/RDM
9. Кнопка OSD
10. Кнопка PBC
11. Цифровые кнопки
12. Кнопка 10+
13. Кнопка PLAY/PAUSE
14. Кнопка MUTE
15. Кнопка TITLE
16. Кнопка SUB-T
17. Кнопка SETUP
18. Кнопка ANGLE
19. Кнопка SLOW
20. Кнопки VOL-/VOL+/SEEK-/PREVIOUS/SEEK+/NEXT/SEL
21. Кнопка ZOOM
22. Кнопка AUDIO
23. Кнопка GOTO



Замена батарей в пульте управления:



1. Откройте отсек для батарей в направлении, указанном стрелкой.
2. Замените старую батарею на новую (CR 2025 3V), соблюдая полярность.
3. Закройте отсек для батарей.

Примечание:

- Не позволяйте детям играть с батареями.
- Неправильное использование батарей может стать причиной перегрева или возгорания, что в свою очередь ведет к пожару.
- Утечка батарей может сделать причиной повреждения пульта управления (Срок работы батарей – 6 месяцев при эксплуатации в обычных условиях при комнатной температуре).
- Не закорачивайте полюса батареи. Не бросайте батареи в огонь.

Основные операции

Сброс настроек

При первоначальной установке устройства, после подключения или замены аккумулятора, а также если на дисплее появляются символы ошибок, нажмите кнопку OPEN, чтобы открыть панель. Нажмите кнопку RESET при помощи заостренного предмета, чтобы вернуть исходные заводские настройки устройства.

Примечание: При сбросе настроек установка времени и некоторые другие функции, сохраненные в памяти устройства, будут удалены.

Включение/Выключение питания

Нажмите кнопку PWR на ПДУ или на панели устройства, чтобы включить устройство. Для выключения нажмите и удерживайте кнопку PWR на ПДУ или нажмите кнопку PWR на панели устройства.

Внимание: Когда Вы выключаете устройство или зажигание автомобиля, уровень громкости и все настройки будут сохранены в памяти устройства.

Регулирование громкости

Вращайте регулятор VOL на панели или нажимайте кнопки VOL+/- на ПДУ, чтобы отрегулировать уровень громкости.

Выключение звука

Нажмите кнопку MUT на панели или кнопку MUTE на ПДУ, чтобы отключить звук. На дисплее отобразится надпись «MUTE ON». Нажмите эту кнопку повторно или нажимайте кнопки VOL+/- на ПДУ или вращайте регулятор VOL на устройстве, чтобы включить звук.

Регулировка настроек аудио и видео

Нажмите кнопку SEL, чтобы выбрать параметр: VOL (громкость) => BAS (низкие частоты) => TRE (высокие частоты) => BAL (баланс) => FAD (баланс между передними и задними динамиками) => BRT (яркость) => COT (контрастность) => COR (цветность) => HUE (оттенок). Нажимайте кнопки VOL+/- на ПДУ или вращайте регулятор VOL, чтобы настроить каждый параметр.

Внимание:

- При включении встроенного эквалайзера низкие и высокие частоты регулированию не подлежат.
- Если в течение 5 секунд после выбора параметра Вы не выполняете никаких операций, устройство автоматически вернется в предыдущий режим.

Выбор режима

Нажмите кнопку MODE на панели или кнопку MOD на ПДУ, чтобы выбрать различные источники сигнала: TUNER (радио) => DISC (если диск вставлен в слот) => USB (если SUB драйвер загружен) => CARD (если вставлена SD/MMC карта) => AUX => TV.

Установка часов

1. Нажмите и удерживайте 3 секунды кнопку DISP; цифры, обозначающие часы, поменяют цвет.
2. Вращайте регулятор VOL или нажимайте кнопки VOL+/- на ПДУ, чтобы установить часы.
3. Нажмите кнопку SEL; цифры, обозначающие минуты, изменят цвет.
4. Вращайте регулятор VOL или нажимайте кнопки VOL+/- на ПДУ, чтобы установить минуты.

Функция LOUD

Нажмите кнопку LOU/TA на ПДУ, чтобы включить или выключить режим LOUD. Когда режим включен, повышается уровень низких частот.

Настройка эквалайзера

Нажмите и удерживайте 3 секунды кнопку EQ/PTY, чтобы выбрать режим эквалайзера: POP => ROCK => CLAS. Эффект звучания изменится.

Операции с радио

Выбор диапазона

Нажмите кнопку BND/SYS, чтобы выбрать диапазон: FM1, FM2, FM3, AM1, AM2. На дисплее отобразится диапазон, частота и номер станции, если данная станция сохранена в памяти устройства.

Ручной/автоматический поиск радиостанций

- **Ручной поиск:** Нажимайте кнопки PREVIOUS/NEXT на панели или кнопки SEEK-/SEEK+ на ПДУ, чтобы вручную увеличить или уменьшить частоту.
- **Автоматический поиск:** Нажимайте и удерживайте 3 секунды кнопки PREVIOUS/NEXT на панели или кнопки SEEK-/SEEK+ на ПДУ, начнется автоматический поиск. При обнаружении станции начнется ее воспроизведение.

Сохранение радио станций

Вы можете хранить и воспроизводить до 30 радиостанций (18 FM, 12 AM).

- Чтобы сохранить станцию:
 - Выберите диапазон (если нужно).
 - Выберите станцию с помощью кнопок PREVIOUS/NEXT на панели или кнопок SEEK+/SEEK- на ПДУ.
 - Нажмите и удерживайте 3 секунды кнопку с цифрой (1-6), под которой Вы хотите сохранить эту станцию.
- Чтобы вызвать станцию:
 - Выберите диапазон (если нужно).
 - Нажмите на кнопку с цифрой, соответствующей нужной сохраненной станции.

Сканирование сохраненных станций

Нажмите кнопку AMS, чтобы прослушать каждую сохраненную в текущем диапазоне станцию в течение 10 секунд. Чтобы остановить сканирование, повторно нажмите кнопку AMS.

Автоматическое сохранение

Нажмите и удерживайте кнопку AMS в течение 2 секунд. 6 станций с самым уверенным приемом сигнала будут автоматически сохранены в памяти в текущем диапазоне. Чтобы остановить автоматическое сохранение, повторно нажмите кнопку AMS.

Функция моно/стерео

Нажмите кнопку AF/ST, чтобы выбрать режим канала: моно или стерео. При активации стерео приема на дисплее отобразится надпись "ST ON".

Прием местных/удаленных радиостанций

Нажмите кнопку LOC/RDM на ПДУ, чтобы включить или выключить функцию Local (прием местных радиостанций). Когда функция Local включена, доступны только местные станции (станции со слабым сигналом), и на дисплее отображается надпись "LOC ON". Когда функция Local отключена, доступны как местные, так и удаленные радиостанции.

Функция RDS

Сервис RDS (Система радио данных) доступен не во всех регионах. Имейте в виду, что если услуга RDS не доступна в Вашем регионе, то данная функция не будет работать. Нажмите кнопку EQ/PTY, чтобы включить или выключить функцию RDS. Если эта функция включена, на дисплее отобразится "RDS".

Функция AF (альтернативные частоты)

Нажмите кнопку AF/ST, чтобы включить или выключить функцию AF. При включенном режиме AF на дисплее отобразится «AF ON». Радио постоянно проверяет силу сигнала альтернативных частот, на которых может транслироваться RDS программа. Если сигнал слабый или исчезает, тюнер будет автоматически искать другую частоту с этой программой.

Функция выбора передаваемого типа программы PTY

Нажмите кнопку EQ/PTY, чтобы включить режим PTY. Вращайте регулятор VOL или нажимайте кнопки VOL+/- на ПДУ, чтобы выбрать тип программы.

Внимание

- При выборе режима PTY начнется поиск радиостанций в соответствии с заданным типом программы.
- Если не найдена ни одна радиостанция, соответствующая заданному типу программы, устройство возвращается к обычному режиму воспроизведения.

Функция TA (программы оповещающие о дорожном движении)

Нажмите кнопку LOU/TA, чтобы включить/выключить режим TA. Оповещения о ситуации на дороге прерывают воспроизведение CD и вещание радиостанций.

Операции с USB-драйверами/картами памяти SD/MMC/дисками

Используемая терминология

PBC (управление воспроизведением)

Управление воспроизведением – это меню, записанное на видео компакт-дисках. Использование меню, предоставляемых видео компакт-дисками с PBC, позволяет Вам пользоваться простыми интерактивными программами с функциями поиска. Вы также можете просматривать неподвижные изображения с высоким разрешением.

Раздел

Раздел – это важная часть записи на DVD-дисках. Объем диска очень велик, что позволяет записывать несколько фильмов на одном диске. Например, если один диск содержит три разных фильма, они подразделяются как Раздел 1, Раздел 2 и Раздел 3. Это позволяет Вам пользоваться удобными функциями поиска.

Глава

Любой раздел может состоять из отдельных блоков, каждый из которых можно просматривать отдельно. Такой блок называется главой. В каждой главе должно содержаться не меньше одного трека.

Трек

Трек – это основная часть видеодиска. Фактически каждая песня, записанная на диске с караоке песнями, является треком.

Загрузка дисков

Нажмите кнопку OPEN на панели, чтобы открыть панель. Установите диск в слот напечатанной стороной вверх. Закройте панель. Устройство автоматически загрузит диск и начнет его воспроизведение. Если устройство находится в другом режиме, нажмите кнопку MODE на ПДУ или кнопку MOD на панели, чтобы выбрать режим DISC. Для извлечения диска из устройства нажмите кнопку EJECT (эта операция невозможна, если воспроизведение установлено на паузу).

Установка устройств SD/MMC/USB

Установите SD/MMC карту или USB устройство в соответствующий слот. Устройство автоматически перейдет в соответствующий режим.

Примечание: Если в устройство загружена одновременно карта памяти и USB драйвер, устройство начнет воспроизведение того из двух носителей, который был загружен в последнюю очередь. Некоторые модели USB-драйверов могут не поддерживаться данным устройством.

Воспроизведение/Пауза

Когда диск, карта памяти или USB будут загружены в устройство, начнется автоматическое воспроизведение первого трека на носителе. Чтобы обеспечить высокое качество воспроизведения, дождитесь, пока плеер закончит читать диск, а затем начинайте воспроизведение. Или нажмите кнопку PLAY/PAUSE на ПДУ или кнопку 6/PLAY на устройстве, чтобы запустить воспроизведение немедленно. Во время воспроизведения нажмите эти кнопки, чтобы установить воспроизведение на паузу. Нажмите эти кнопки еще раз, чтобы возобновить воспроизведение.

Остановка воспроизведения

Во время воспроизведения нажмите кнопку STOP/RETURN на ПДУ или кнопку 5/STOP на устройстве. Воспроизведение будет остановлено.

Для DVD дисков: Если Вы нажмете кнопку PLAY/PAUSE на ПДУ или кнопку 6/PLAY на устройстве, воспроизведение начнется с того места, где было остановлено. Если во время остановки воспроизведения диск был извлечен из устройства, функция возобновления проигрывания будет отменена. Нажмите STOP/RETURN на ПДУ или кнопку 5/STOP на устройстве дважды, воспроизведение будет полностью остановлено.

Переход к предыдущему или следующему треку

Во время воспроизведения нажмите кнопки PREVIOUS/NEXT на панели или на ПДУ, чтобы перейти к следующему или предыдущему треку.

Ускоренное воспроизведение вперед или назад

Для DVD/VCD: Во время воспроизведения нажмите и удерживайте кнопки PREVIOUS/NEXT на панели или на ПДУ в течение 2 секунд для ускоренного воспроизведения вперед или назад с различной скоростью: X2 => X4 => X8 => X16 => X20. Нажмите кнопку PLAY/PAUSE на ПДУ или кнопку 6/PLAY на устройстве, чтобы вернуться к обычному режиму воспроизведения.

Для других форматов: Во время воспроизведения нажмите и удерживайте кнопки PREVIOUS/NEXT на панели или на ПДУ в течение 2 секунд для ускоренного воспроизведения вперед или назад.

Замедленное воспроизведение (для DVD/VCD)

Во время воспроизведения DVD/VCD нажмите кнопку SLOW, чтобы включить функцию замедленного воспроизведения. С каждым последующим нажатием скорость воспроизведения будет уменьшаться: X1/2 => X1/3 => X1/4 => X1/5 => X1/6 => X1/7. Нажмите кнопку PLAY/PAUSE на ПДУ или кнопку 6/PLAY на устройстве, чтобы вернуться к обычному режиму воспроизведения.

Повторное воспроизведение

Во время воспроизведения нажимайте кнопку 3/RPT на устройстве или кнопку AMS/RPT на ПДУ, чтобы начать повторное воспроизведение:

- Для VCD/CD дисков: Пов. 1 (повтор трека) => Выкл.
- Для DVD дисков: Раздел (повтор раздела) => Заглавие (повтор главы) => Выкл.
- Для файловых дисков: Пов. 1 (повтор трека) => Повтор папки => Выкл.

Воспроизведение в произвольном порядке

Во время воспроизведения нажмите кнопку LOC/RDM на ПДУ или кнопку 4/RDM на устройстве, чтобы включить или отключить режим воспроизведения в произвольном порядке. Данная функция недоступна для DVD дисков.

Функция Intro (только для CD/VCD)

Устройство может последовательно воспроизводить начало каждого трека в течение 10 секунд. Во время воспроизведения нажмите кнопку 2/INT, чтобы начать сканирование всех треков на диске. Нажмите кнопку повторно для отмены функции Intro.

Навигационное меню (только для DVD)

1. Нажмите кнопку TITLE на ПДУ, чтобы вывести список разделов диска на экран.
2. Нажимайте кнопки курсора, чтобы выбрать нужный раздел. Затем нажмите кнопку ENTER или PLAY/PAUSE на ПДУ или кнопку 6/PLAY на устройстве, чтобы открыть главное меню выбранного раздела.
3. Нажимайте кнопки курсора, чтобы выбрать нужный трек, затем нажмите кнопку ENTER или PLAY/PAUSE, чтобы начать его воспроизведение.

PBC (Управление воспроизведением) (только для VCD дисков)

Если вы используете VCD с функцией PBC, автоматически начинается воспроизведение с начала первого трека.

1. Нажмите кнопку PBC на ПДУ, чтобы во время воспроизведения активизировать интерактивное меню на экране.
2. Если меню состоит из списка разделов, Вы можете непосредственно выбирать последовательность их воспроизведения при помощи цифровых кнопок ПДУ.

Программирование воспроизведения

1. Нажмите кнопку ST/PROG на ПДУ, чтобы открыть окно программирования.
2. При помощи кнопок курсора и кнопок с цифрами выделите позицию и введите номер трека, который должен быть воспроизведен.
 - Для DVD дисков введите номера разделов и глав.
 - Для VCD, CD, MP3, WMA дисков введите номера треков.
3. Переместите курсор на пункт PLAY и нажмите кнопку ENTER, чтобы начать воспроизведение запрограммированного списка.
4. Если Вы хотите очистить список, выберите пункт CLEAR и нажмите кнопку ENTER.
5. Повторно нажмите кнопку ST/PROG, чтобы выйти из режима программирования.

Отображение информации на экране

Нажимайте кнопку OSD на ПДУ для отображения на дисплее информации о воспроизведении. Такая информация может включать следующее (в зависимости от типа диска): номер воспроизводимого раздела/главы/трека, истекшее время воспроизведения текущего раздела/главы/трека, оставшееся время воспроизведения текущего раздела/главы/трека, истекшее время воспроизведения диска, оставшееся время воспроизведения диска.

Выбор языка субтитров (только для DVD дисков)

Нажмите кнопку SUB-T на ПДУ для выбора поддерживаемого диском языка субтитров или отключения отображения субтитров (в зависимости от типа диска).

Выбор языка звукового сопровождения (только для DVD)

Во время воспроизведения DVD диска нажмите кнопку AUDIO на ПДУ, чтобы выбрать язык аудио сопровождения (только для дисков, поддерживающих несколько языков аудио сопровождения).

Изменение масштаба изображения (для DVD/VCD)

Нажмите кнопку ZOOM на ПДУ. Масштаб изображения при каждом нажатии будет меняться в следующем порядке: X2, X3, X4, X1/2, X1/3, X1/4, МАСШТАБ ВЫКЛ. При помощи кнопок курсора Вы можете перемещать увеличенное изображение.

Изменение угла (только для DVD дисков)

Если DVD-диск поддерживает воспроизведение с различных точек съемки, нажмите кнопку ANGLE на ПДУ для воспроизведения эпизодов под различными углами съемки. Если диск не имеет эпизодов, записанных под различными углами, эта функция не будет работать.

Выбор режима звучания (только для VCD)

Во время воспроизведения VCD диска нажмите кнопку AUDIO на ПДУ, чтобы выбрать режим каналов: Left (левый) => Right (правый) => Stereo (стерео).

Выбор ТВ режима (для DVD/VCD)

Нажмите кнопку BAND/SYS на ПДУ, чтобы выбрать ТВ режим: NTSC => PAL => AUTO.

Функция GOTO (переход)




Во время воспроизведения нажмите кнопку GOTO, на дисплее появится меню перехода. С помощью кнопок курсора ВЛЕВО/ВПРАВО перейдите к нужному пункту меню; с помощью цифровых кнопок введите номер нужного раздела/главы и нужное время диска. Устройство перейдет к воспроизведению диска в соответствии с введенными данными.

Операция с Аудио/Видео/Изображения файлами

При воспроизведении диска, содержащего аудио, видео файлы и файлы с изображениями, на дисплее отобразится список категорий/папок/файлов, и имя проигрываемого файла и папки будет отображаться наверху дисплея. Выбранный пункт будет подсвечен.

Выбор категории

Используйте кнопки ВЛЕВО/ВПРАВО, чтобы выбрать:

-  аудио файлы
-  файлы с изображениями
-  видео файлы.

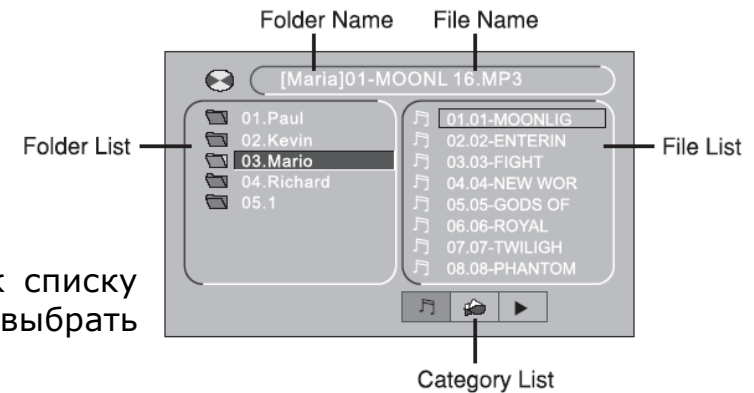
Нажмите кнопку ENTER для подтверждения.

Выбор папки

1. Используйте кнопки ВЛЕВО/ВПРАВО, чтобы перейти к списку папок и используйте кнопки ВВЕРХ/ВНИЗ, чтобы выбрать нужную папку.
2. Нажмите кнопку ENTER для подтверждения.

Выбор файла

1. Используйте кнопки ВЛЕВО/ВПРАВО, чтобы перейти в список файлов и используйте кнопки ВВЕРХ/ВНИЗ, чтобы выбрать нужный файл.
 2. Нажмите кнопку ENTER для подтверждения.
- Для файлов с изображениями нажмите кнопку PLAY/PAUSE, чтобы началось слайд шоу.
 - Для видео файлов и файлов с изображениями нажмите кнопку STOP/RETURN на ПДУ или кнопку 5/STOP, чтобы открыть список категорий/папок/файлов.



Обзор MP3

Замечания по MP3:

- MP3 это краткое обозначение аудио слоя MPEG3 и относится к стандарту технологии сжатия звука.
- Данное изделие позволяет воспроизводить файлы MP3 на дисках CD-ROM, CD-R или CD-RW.
- Изделие может считывать файлы MP3, записанные в формате, соответствующем ISO 9660. Однако оно не поддерживает данные MP3, записанные методом пакетной записи.
- Изделие не может считывать файлы MP3, которые имеют расширение файла, отличающееся от ".mp3".
- Если вы воспроизводите не MP3 файл, который имеет расширение ".mp3", вы можете слышать некоторые шумы.
- В данном руководстве мы рассматриваем файлы, называемые "файлами MP3" и "папкой", а в технологии PC "дорожкой" и "альбомом" соответственно.
- Максимальное количество уровней директории равно 8, включая корневую директорию. Максимальное количество файлов и папок на диске 448.
- Изделие может не воспроизводить дорожки в последовательном порядке.
- Изделие воспроизводит только аудио треки, если диск содержит как аудио треки, так и файлы MP3.
- При воспроизведении диска 8 килобит или VBR, истекшее время воспроизведения в окне дисплея будет неправильным, а также ознакомительное воспроизведение может не действовать надлежащим образом. VBR: Переменная скорость передачи битов.

Примечание по созданию собственных CD-R или CD-RW, содержащих файлы MP3:

- Для получения высокого качества звука мы рекомендуем преобразовывать файлы MP3 с эталонной частотой 44,1 кГц и фиксированным битрейтом 128 Кбит/сек.
- Не сохраняйте более 256 файлов MP3 на диске.
- Для формата, совместимого с ISO 9660, максимально допустимая глубина вложенных папок равняется 8, включая корневую директорию (папку).
- При использовании диска CD-R воспроизведение возможно только для дисков, которые были закончены.
- Убедитесь, что при записи MP3 CD-R или CD-RW были отформатированы как диски данных, а НЕ как аудио диски.
- Вы не должны записывать не-MP3 файлы или ненужные папки вместе с файлами MP3 на диск, в противном случае потребуется много времени, пока изделие начнет воспроизводить файлы MP3.
- На некоторых CD-R или CD-RW данные могут не быть записаны надлежащим образом в зависимости от качества их производства. В этом случае данные могут быть воспроизведены не надлежащим образом. Рекомендуются диски CD-R или CD-RW высокого качества.
- Имя альбома или композиции может содержать до 16 символов. Необходима версия 1.x ID3TAG.
- Помните, что изделие может не воспроизводить треки в том порядке, в котором они записаны на диске.

Настройки системы

1. Нажмите кнопку SETUP на ПДУ, чтобы открыть меню настройки системы.
2. Нажимайте кнопки ВПРАВО/ВЛЕВО, чтобы выбрать нужное меню из списка: Системная установка, Установка языка, Аудио установка, Настройки видео, Настройка колонок, Цифровая установка.
3. Нажмите кнопку курсора ВНИЗ, чтобы войти в меню.
4. Используйте кнопки курсора ВВЕРХ/ВНИЗ, чтобы выбрать нужную настройку.
5. Нажмите кнопку курсора ВПРАВО, чтобы открыть список установок выбранной настройки.
6. Используйте кнопки курсора ВВЕРХ/ВНИЗ, чтобы выбрать нужную установку, затем нажмите кнопку ENTER, чтобы подтвердить.

Системная установка

- **ТВ. система**

Авто: система ТВ автоматически переключается в соответствии с системой, в которой записан диск.

NTSC: эта система используется в США, ТАЙВАНЕ, ЯПОНИИ и пр.

PAL: эта система используется в КИТАЕ, ЕВРОПЕ, ГОНКОНГЕ и пр.

- **ТВ. режим**

4:3 PS: Когда домашний кинотеатр подключен к обычному телевизору, широкоэкранный образ воспроизводится на всем экране, но часть его обрезается.

4:3 LB: Когда домашний кинотеатр подключен к обычному телевизору, широкоэкранный образ воспроизводится так, что сверху и снизу появляются черные полосы.

16:9: Используйте этот пункт, если домашний кинотеатр подключен к широкоэкранному телевизору.

- **Пароль**

Здесь Вы можете изменить пароль. Введите Ваш старый пароль или пароль по умолчанию – 0000. Затем введите новый пароль. Введите новый пароль еще раз. Нажмите на ОК, чтобы сохранить новый пароль.

- **Рейтинг**

Эта функция предназначена для контроля родителями за содержанием дисков при их воспроизведении и защищает Ваших детей от сцен насилия и эротики. Диск, уровень которого выше, чем установленный с помощью данной функции, не будет воспроизведен.

Для изменения уровня ограничения введите пароль.



- **Базовые установки**

Функция переустанавливает настройки устройства на фабричные.

Установка языка

- **Язык, Язык аудио, Язык субтитров**

Эти параметры могут быть изначально установлены в соответствии с Вашими предпочтениями. Если установленные Вами параметры поддерживаются содержанием диска, то воспроизведение будет происходить с учетом Ваших настроек. Иначе, будут использоваться установки диска, заданные по умолчанию.

- **Язык меню**

Выберите язык меню настройки системы.



Аудио установка

- **Аудиовыход**

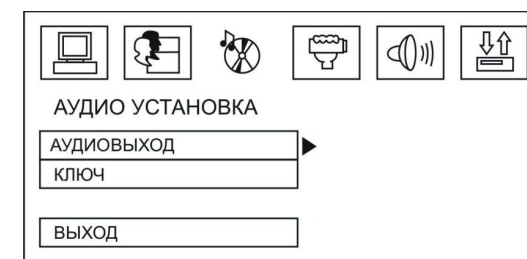
Аналог: отсутствует цифровой выходной сигнал (оптический или коаксиальный выход отключен), только аналоговый аудио выход.

SPDIF/RAW: выберите этот режим, если устройство подключено к усилителю через коаксиальный или оптический разъем.

SPDIF/PCM: выберите этот режим, если устройство подключено к двухканальному цифровому стерео усилителю.

- **Ключ**

Настройте аудио тональность.



Настройки видео

Яркость, Контрастность, Оттенок, Насыщенность, Резкость.

Вы можете установить яркость, контрастность, оттенок, насыщенность, резкость в соответствии с вашими предпочтениями.



Настройка колонок

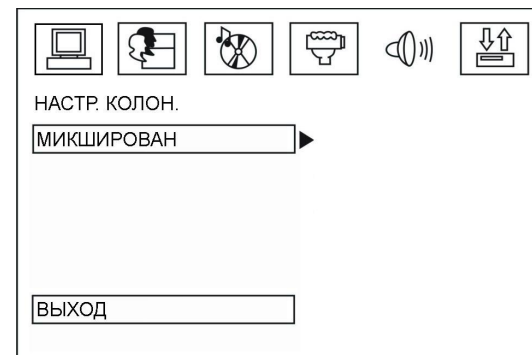
- **Микширование**

Для выбора желаемого звукового эффекта, когда нет центрального динамика или сабвуфера, существуют режимы: Л/П, Stereo, Вирт. звук.

Л/П: во время воспроизведения диска со звуковым эффектом PRO LOGIC Dolby, выберите данную функцию для воспроизведения сигнала с эффектом живого звука.

Stereo: если Вы выбрали эту настройку во время воспроизведения звукового сигнала с каналами 5.1, сигнал будет идти из левых и правых каналов. Когда сигнал идет из двух каналов, сигнал будет в стерео режиме из двух каналов.

Вирт. динам: если Вы выбрали эту функцию, когда диск воспроизводится с каналов 5.1, звуковой сигнал будет идти из главных динамиков с эффектом виртуального звука.



Цифровая установка

- **Режим**

Выберите выходной режим: Лин. вых, Циф. обраб.

- **Динамический диапазон**

При просмотре ночью программ с высоким динамичным диапазоном звука, выбор этого режима позволит Вам уменьшить звук до очень низкого уровня и в то же время сохранить качество и детали звукового сопровождения. Это позволит Вам не беспокоить остальных членов семьи и сохранить высокое качество звука.

- **Двойной моно**

Сtereo: Стерефонический выходной сигнал.

Моно левый: Выходной сигнал левого канала.

Моно правый: Выходной сигнал правого канала.

Смешанный моно: Усредненный выходной сигнал левого и правого каналов.



Операции с ТВ тюнером

Поиск/Автоматическое сохранение каналов

Нажмите кнопку AMS, на экране отобразится надпись «SCAN ONE». Начнется поиск, пока не будет найден первый канал. Нажмите и удерживайте кнопку AMS, на дисплее отобразится надпись «SCAN ALL», устройство автоматически найдет и сохранит все доступные каналы (максимум 95).

Примечание: Так же для поиска каналов можно использовать кнопки NEXT или PREVIOUS.

Для выбора канала нажимайте цифровые кнопки. Нажмите кнопку 10+ для того чтобы ввести двузначное число канала. (Например, если вам нужно выбрать 85 канал, нажмите кнопку 10+, затем 8 и 5). Нажимайте кнопки NEXT или PREVIOUS, чтобы переключать каналы последовательно.

Примечание: Нажимайте кнопку ST/PROG, чтобы выбрать систему ТВ.

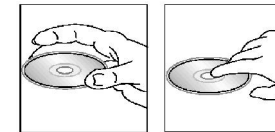
Камера заднего вида

Данное устройство оснащено выходом для камеры заднего вида. Камера используется для наблюдения за происходящим позади автомобиля во время движения задним ходом.

Подсоедините камеру заднего вида к выходу для камеры заднего вида. И подсоедините провод сигнала заднего хода к фонарю задней передачи. Изображение камеры заднего вида будет активировано при движении автомобиля задним ходом.

Обращение с дисками

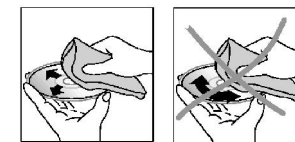
- Грязные, поцарапанные или погнутые диски могут вызвать искажение звука или шумы
- Держите диск только за края (как показано на рисунке). Чтобы обеспечить чистоту, не прикасайтесь к его поверхности.
- Диски должны храниться в их чехлах после использования, чтобы не поцарапать их поверхность.
- Не подвергайте диски действию прямого солнечного света, повышенной влажности, повышенным температурам или действию пыли.
- Продолжительное влияние предельных температур может изогнуть диск (например, пребывание дисков в автомобиле в летнее время).
- Не царапайте и не пишите что-либо на любой стороне диска. Острые пишущие инструменты или чернила, используемые в них, могут повредить поверхность диска.
- Не оставляйте никаких следов на рабочей стороне диска.
- Не прикрепляйте этикетки или стикеры к любой стороне диска.



Чистка и уход

Чистка корпуса

Протирайте мягкой тканью. Если корпус очень загрязнен (не мочите его), используйте мягкую ткань.



Чистка дисков

Отпечатки пальцев должны быть тщательно стерты с поверхности диска мягкой тканью. В отличие от обычных пластинок, компакт-диски не имеют канавок для сбора пыли и микроскопических частиц грязи, поэтому их можно легко отчистить мягкой тканью. Вытирайте прямолинейным движением от центра к краю. Никогда не используйте растворитель, бензин, очиститель пластинок или антистатический аэрозоль для чистки дисков. Такие химические вещества могут повредить его пластиковую поверхность.

Руководство по устранению неисправностей

Неисправность	Причина	Решение
Нет питания	Зажигание машины не включено. Сгорел предохранитель.	Если источник питания подключен надлежащим образом к выключателю машины, установите ключ зажигания в положение "ACC". Замените предохранитель.
Невозможно загрузить диск	В плеер установлен диск.	Удалите диск из плеера, затем установите новый.
Невозможно считать диск	Диск установлен верхней стороной вниз. Диск загрязнен или имеет дефект. Температура внутри машины очень высокая.	Установите компакт диск стороной с этикеткой вверх. Очистите диск или установите новый. Подождите, пока температура не станет нормальной.
Нет звука	Звук установлен на минимум. Кабель не подключен надлежащим образом.	Отрегулируйте звук до необходимого уровня. Проверьте подключение кабеля.
Не действуют кнопки	Встроенный микрокомпьютер не работает надлежащим образом из-за шумов. Передняя панель не установлена на свое место.	Нажмите кнопку RESET. Повторно установите переднюю панель.
Звук пропадает	Угол установки устройства более 30 градусов. Диск загрязнен или имеет дефект.	Отрегулируйте угол установки, установив его менее 30 градусов. Очистите диск или установите новый.
Радио не работает. Не работает автоматический выбор радиостанции	Антенный кабель не подключен. Сигналы слишком слабы.	Вставьте антенный кабель надежно. Выберите станцию вручную.

Технические характеристики

Общие	
Источник питания:	12 В
Максимальная выходная мощность:	50 Вт x 4 канала
Форматы воспроизведения:	DVD/SVCD/VCD/HDCD/MP3/WMA/CDDA/Picture-CD/JPEG/ MPEG4 (DivX)
Поддерживаемые диски:	DVD/DVD±R/DVD±RW/CD/CD-R/CD-RW/USB/SD/MMC card
Размеры (Д x Ш x В):	165 x 178 x 50 мм
Электронная система стабилизации:	40 с для Аудио CD, 120 с для MP3
ЖК дисплей	
Размер дисплея:	3.5-дюймовый TFT-дисплей
Разрешение:	480x272
Формат:	4:3
Контрастность:	300:1
Яркость:	300 кд/м ²
Угол обзора	Верт.: 120 ⁰ , Гориз.: 120 ⁰
Сtereo FM радио	
Частотный диапазон:	65.0 – 74.0/87.5 – 108.0 МГц
Используемая чувствительность:	15 дБ
Память цифрового тюнера	18
AM радио	
Частотный диапазон:	522 кГц - 1620 кГц
Память цифрового тюнера	12
Аудио	
Частотный диапазон:	20 Гц - 20 КГц
Уровень сигнал-шум:	85 дБ
Разделение:	80 дБ
Линейный выход	
Выход:	2 линейных RCA-выхода (2V)

Технические характеристики могут быть изменены заводом-изготовителем без предварительного уведомления.

Указанные масса и геометрические размеры имеют приблизительные значения.