

# SOUNDMAX

## SM-CDM1050



CD/MP3-RECEIVER

CD/MP3-РЕСИВЕР

Instruction manual

Руководство по эксплуатации

Dear customer!

Thank you for purchasing our product. For safety, it is strongly recommended to read this manual carefully before connecting, operating and/or adjusting the product and keep the manual for reference in the future.

## Table of contents

---

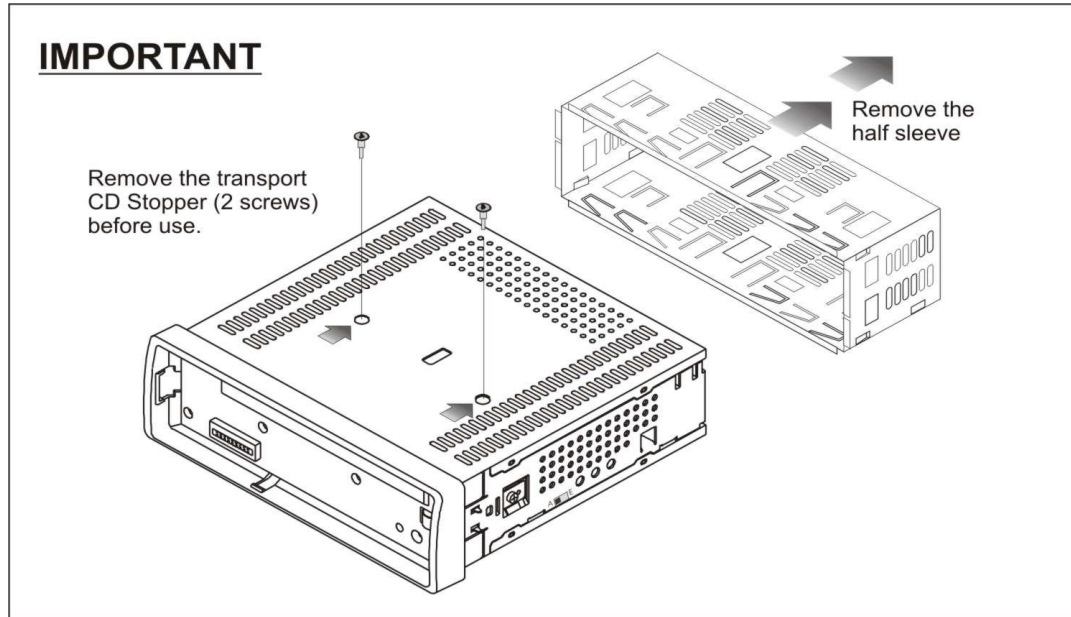
Table of contents .....	2
Instruction manual for CD/MP3-RECEIVER .....	3
Important safeguards.....	3
Installation/ Connections .....	4
Accessories .....	10
Panel controls.....	11
Menu Function.....	14
MP3 Play back .....	17
Anti-Theft System.....	20
Handling compact discs .....	21
Cleaning .....	21
Troubleshooting guide .....	22
Specification .....	23
Instruction manual 13 cm 2 way coaxial acoustic system.....	24
Description .....	24
Important safeguards.....	25
Mounting the speakers .....	26
Securing the speakers.....	27
If unit fails to operate properly .....	28
Specification .....	29

# Instruction manual for CD/MP3-RECEIVER

## Important safeguards

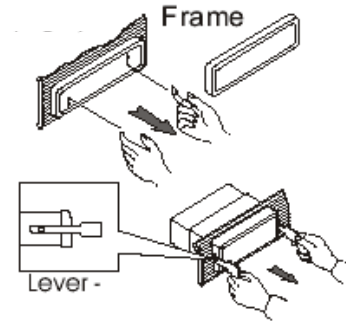
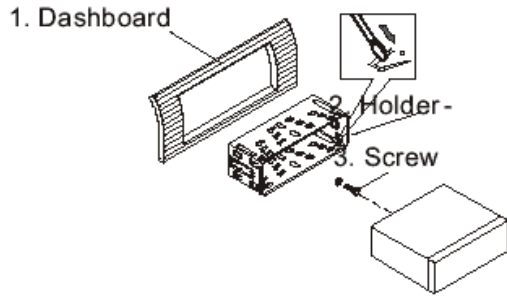
- Read carefully through the manual to familiarize yours with this high-quality sound system.
- Disconnect the vehicle's negative battery terminal while mounting and connecting the unit.
- When replacing the fuse, be sure to use one with an identical amperage rating. Using a fuse with a higher amperage rating may cause serious damage to the unit.
- Do not attempt to disassemble the unit. Laser beams from the optical pickup are dangerous to the eyes.
- Make sure that pins or other foreign objects do not get inside the unit; they may cause malfunctions, or create safety hazards such as electrical shock or laser beam exposure.
- Do not use the unit in places where it can be exposed to water, moisture and dust.
- If you have parked the car for a long time in hot or cold weather, wait until the temperature in the car becomes normal before operating the unit.
- Do not open covers and do not repair yourself. Consult the dealer or a technician for help.
- Make sure you disconnect the power supply and aerial if you will not be using the system for a long period or during a thunderstorm.
- Make sure you disconnect the power supply if the system appears to be working incorrectly, is making an unusual sound, has a strange smell, has smoke emitting from it or liquids have got inside it. Have a qualified technician check the system.
- The unit is designed for negative terminal of the battery, which is connected to the vehicle metal. Please confirm it before installation.
- Do not allow the speaker wires to be shorted together when the unit is switched on. Otherwise it may overload or burn out the power amplifier.
- Do not install the detachable panel before connecting the wire.

## Installation/ Connections

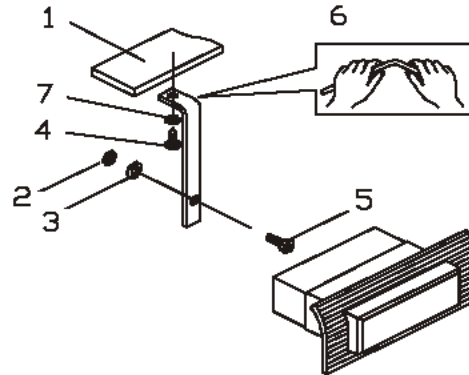


### Din front-mount (method 1)

- After inserting the holder into the dashboard, select the appropriate tab and bend them inwards to secure to the place
- Insert fingers into the groove in the front of frame and remove it.
- Insert the levers supplied with the unit to the grooves at both sides. The unit can be installed or removed from the dashboard.



1. Dashboard
2. Nut (5mm)
3. Spring washer
4. Screw (5 x 25mm)
5. Screw
6. Strap
7. Plain washer



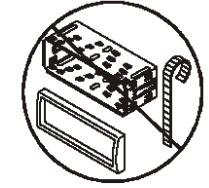
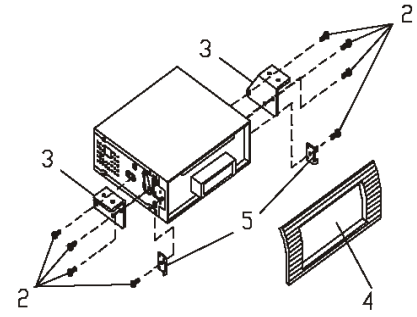
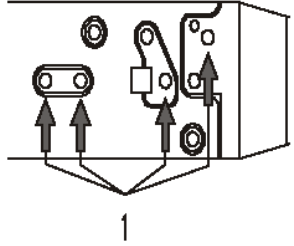
### Din rear-mount (method 2)

Installation using the screw holes at both sides of the unit.

1. Select a position where the screw holes of the main unit are fitted for aligned, and tighten the screws at 2 positions at each sides.

Use either truss screws (5 x 8mm) or flush surface screws (4 x 8mm), depending on the shape of the screw holes in the bracket.

- 2. Screw
- 3. Factory radio mounting bracket.
- 4. Dashboard or Console
- 5. Hook (Remove this parts)



Note: The mounting box, outer trim ring, and the Half-sleeve are not used for this method of installation.

Detachable control panel

Detaching the control panel

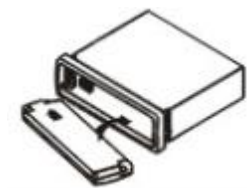
- 1. Press the OPEN button on the front panel. The panel will go down (pic. 1).
- 2. Push the panel to the left and then pull it towards you (pic. 2).



Pic. 1



Pic. 2



Pic. 3

## Attaching the control panel

1. Insert the left side of the control panel into the main unit (pic. 3).

Note: the control panel must be attached into the T-Joint.

2. Press the right side of the control panel until a "click" sound is heard.

3. Close the panel.

### Caution:

DO NOT insert the control panel from the right side. It can damage the control panel.

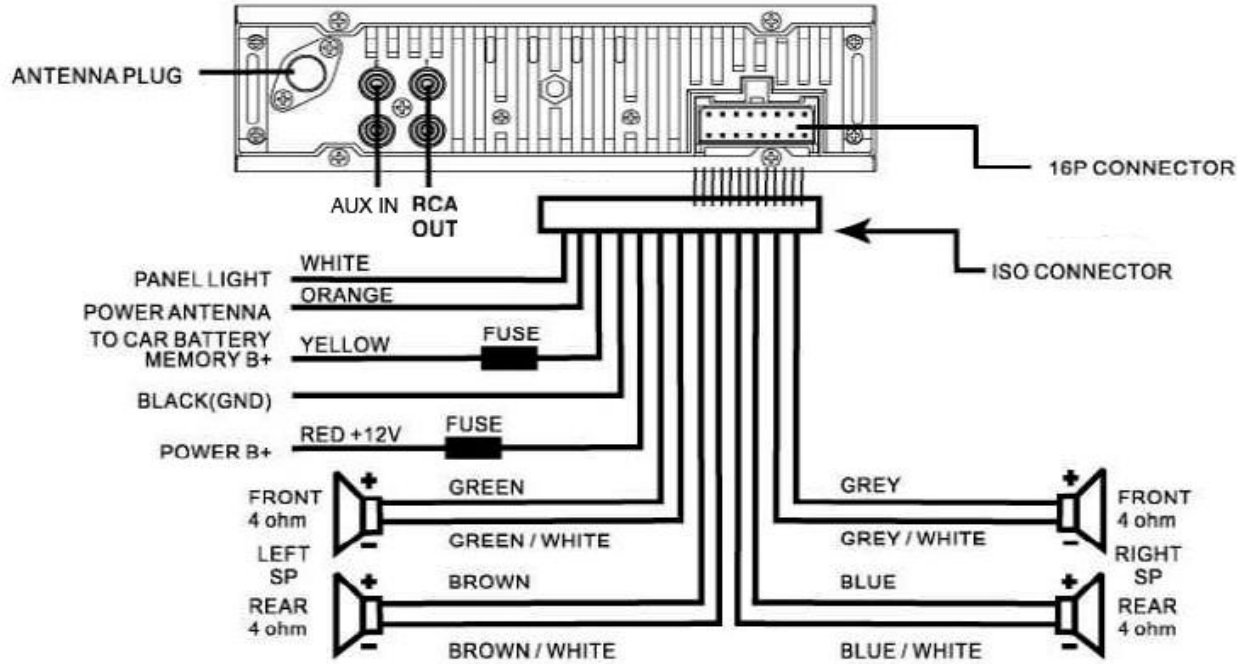
The control panel can easily be damaged by shocks. After removing it, place it in a protective case and be careful not to drop it or subject it to strong shocks.

The rear connector that connects the main unit and the control panel is an extremely important part. Be careful not to damage it by pressing on it with fingernails, pens, screwdrivers, etc.

### Note:

If the control panel is dirty, wipe off the dirt with soft, dry cloth only. And use a cotton swab soaked in isopropyl alcohol to clean the socket on the back of the control panel.

Electrical connections



Notes:

- In spite of having any kinds of speaker system, must use 4 ohms impedance of speaker to reduce the distortion during high volume level.
- Prohibit to make the conductors of auto antenna and ground touch with each other.



## Using the ISO Connector

1. If your car is equipped with the ISO connector, then connect the ISO connectors as illustrated.



2. For connections without the ISO connectors, check the wiring in the vehicle carefully before connecting, incorrect connection may cause serious damage to this unit. Cut the connector, connect the colored leads of the power cord to the car battery as shown in the colour code table below for speaker and power cable connections.

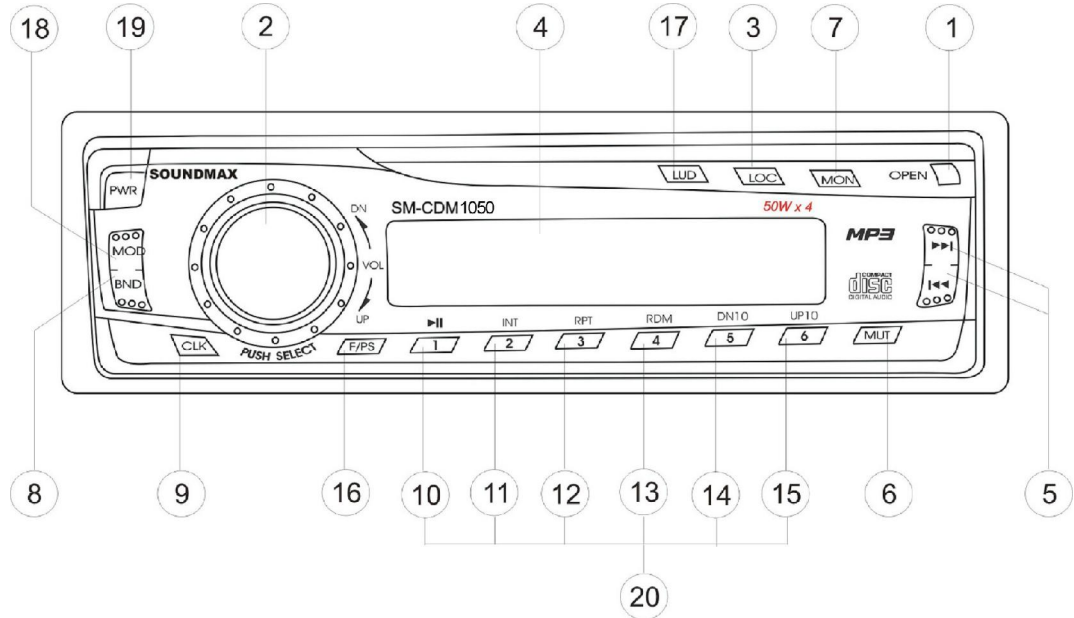
Location	FUNCTION	
	Connector A	Connector B
1		Rear Right(+)----Blue
2		Rear Right(-)----Blue/White Stripe
3		Front Right(+)----Grey
4	Battery 12V (+)/yellow	Front Right(-)----Grey/White Stripe
5	Auto Antenna/Orange	Front Left(+)----Green
6	Panel light/White	Front Left((-)----Green/White Stripe
7	ACC+/red	Rear Left(+)----Brown
8	Ground/black	Rear Left(-)----Brown/White Stripe

## Accessories

---

Nº	Name	pcs
1	Hexagon nut M5 T (3.5 mm)	1
2	Mounting box (0.6 mm)	1
3	Left key (1.0 mm)	1
4	Right key (1.0 mm)	1
5	Metal bar (0.8 mm)	1
6	ISO connector	1
7	Plain washer $\Phi=5$ mm	1
8	Carrying case	1
9	Outer trim ring	1
10	Spring washer $\Phi=5$ mm	2
11	Screw $\Phi 5 \times 5$ mm	4
12	Screw $\Phi 5 \times 25$ mm	1
13	Screw M5 $\Phi 5 \times 29.3$ mm	1
14	Customer information	1
15	Warranty card	1
16	Instruction manual	1

# Panel controls



1. OPEN BUTTON

2. VOL KNOB / SEL BUTTON

Rotate it clockwise to increase the volume level; rotate anticlockwise to decrease the volume level.

Press it repeatedly to select the mode: VOL => BAS => TRE => BAL => FAD

Rotate VOL knob to adjust each mode.

Push more than 2 seconds to Menu mode.

MP3 track/ file/ character search

ESP 45s/120s

3. LOC button

Press to select: LOCAL or DISTANCE.

4. Display

5. ⏮/⏭ buttons

In Disc mode press the buttons shortly to go to previous/next track. Press and hold them to start fast backward/ forward rewind. In Radio mode press the buttons shortly to search the stations manually. Press and hold for 2 seconds to start searching the stations automatically.

6. MUTE BUTTON

Press it to switch the sound off/on

7. MON button

Press to select: STEREO or MONO.

8. BAND

In radio mode press it to select desired band.

9. CLK button

In radio mode press it to select desired band.

10. Disc playback: Play/ Pause. Top play (press more than 2 seconds).

11. Disc playback: Intro play (10 seconds).

Press this button to play the first 10 seconds or each track. Press this key again to clear this mode.

12. Disc playback: Track repeat play.

Press this button to repeat the same track continuously. "RPT ON." will appear on the display. Press this key again to stop repeating.

13. Disc playback: Track random play.

Press this button to play all the tracks in random order. "RDM ON" will appear on the display. Press this key again to stop random play.

14. Disc playback: MP3 track – 10 down.

15. Disc playback: MP3 track + 10 up.

16. F/PS button: automatic scan/Store.

17. Loudness button.

18. MODE button

Press it to select the mode: TUNER => DISC => AUX.

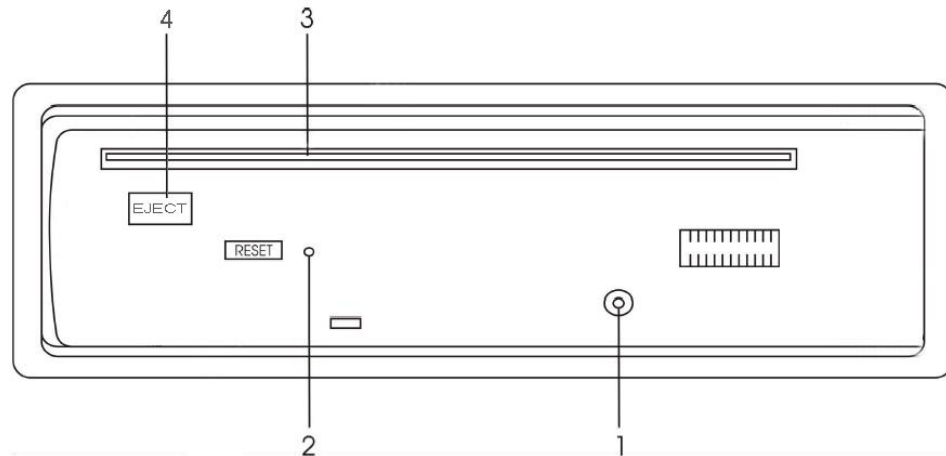
19. Power on: press any button on the panel except OPEN to turn on the unit. Press more than 2 seconds to power off.

20. Number buttons

### Inner panel

Press the OPEN button on the front panel to flip it down.

1. LED INDICATOR
2. RESET BUTTON
3. DISK SLOT
4. EJECT BUTTON



## Menu Function

---

Press the POWER button to turn the unit on, the display will show a message WELCOME to indicate it is ready to use. Press the BAND for the radio mode, press MODE to select between Aux, Radio mode and CD/MP3 play. Press the POWER button again to turn the unit off.

### VOLUME CONTROL

A. The volume level can be adjusted at any time by rotating the audio level VOL knob as select mode has been initially defaulted at volume mode.

### BASS CONTROL

A. Press the SEL button to select the bass mode until BAS appears on the display.  
B. Press the VOL knob to adjust the bass effect.

### TREBLE CONTROL

A. Press the SEL button to select the treble mode until TRE appears on the display.  
B. Press the VOL knob to adjust the treble effect.

### BALANCE CONTROL

A. Press the SEL button to select the balance mode until BAL appears on the display.  
B. Press the VOL knob to increase or decrease the sound level of left or right speaker.

### FADER CONTROL

A. Press the SEL button to select the fader mode until FAD appears on the display.  
B. Press the VOL knob to increase or decrease the sound level of front or rear speaker.

### BEEP ON/OFF mode

Press SEL button for 2 seconds, the display will show DSP OFF.

Press the SEL button continuously until the display show BEEP ON, press the volume up/down button to toggle between it and BEEP OFF, then leave the unit idle for your desired setting to take effect.

### LOUD mode

Press the LUD to emphasize the Bass output, the word LOUD ON shows on the display indicates that the loudness function is on. Press again to cancel.

### Time clock setting

The time clock can be set anytime when the power is on.

Press the CLK button and then press and hold CLK button for 3 seconds, the time will blink on the display.

1. Rotate the volume knob clockwise to adjust the hour.
2. Rotate the volume knob anti-clockwise to adjust the minute.
3. Press the CLK button again or left the unit idle for new setting to effect.

Press the CLK button anytime to view the time clock display.

### DSP mode

Press and hold the SEL button for 2 seconds, the display will show DSP OFF. Press the volume up/down button to choose EQ effect.

POP → ROCK → CLASSIC → FLAT → DSP OFF



After you have reached your desired effect, leave the unit idle in order for the new setting to take effect.

### Choose Radio Band

Press the BAND button to operate the radio function. (Even when CD is playing)

Total 3 sets of FM Band (FM1, FM2)

Total 2 sets of MW Band (MW1, MW2)

Each set of the band can be stored up to 6 preset stations, making total 30 preset memory stations.

### Radio Tune/ Seek Function

In Radio Mode, press and hold ◀/▶ buttons for more than 3 second to manually adjust the radio frequency.

Rotate volume knob for less than 1 second, the radio will seek to the next up or down strong and clear frequency station. Repeat this action to seek for other desired stations.

### Save Your Preset Stations

There are Six numbered preset buttons which can store and recall stations for each band. There are 5 bands and 30 available preset stations slot. 3 FM bands, F1, F2, and F3 making a total of 18 preset stations in FM band. 2MW bands, MW1 and MW2 making a total of total 12 preset stations in MW band.

### Automatic Store / Preset Scan

#### (1) AUTOMATIC SCAN & STORE

Press "F/PS" button for more than 3 seconds, the receiver will automatically scan and save stations for the 3 FM bands.

#### (2) RESET

Press "F/PS" button for less than 1 second, the receiver will reset the station setting to the default. User has to scan and save all the stations again.

### Track - Forward / Fast Forward

Press ▶ button to advance disc to the next track, the track numbers will be shown on the LCD display. Press and hold the button to fast forward. Disc will play normal when the button is released.

### Tracks - Backward / Fast Backward

Press ◀ button to backward disc to the previous track, the track numbers will be shown on the LCD display. Press and hold the button to fast backward. Disc will play normal when the button is released.



## MP3 Play back

---

CD Electronic Shock Protection 12or 45 seconds

The electronic shock protection is ideal for driving uneven road.

Press the Sound Select button for 2 seconds, the display will show "DSP OFF". Press the button again so that "ESP 12" will be shown on the display indicating that Electronic Shock Protection for 12 seconds will be activated.

When the display shows "ESP 12", rotate the volume knob so that the setting will be changed to "ESP 45", indicating that Electronic Shock Protection for 45 seconds is activated. Please leave the unit idle for the new setting to take effect.

MP3 Electronic Shock Protection

This unit is built-in with 120 seconds of electronic shock protection for Mp3 so that you can better enjoy your music.

MP3 TRACK SEARCH

This unit is capable of displaying ID3 tag which is used in MP3 operation. When the CD media is playing the unit will show the information of folder, file name, song name, artist name and album name for you to better enjoy the music. You can make use of the 4 search modes to play your favorite Mp3 songs.

(1) ORDINARY SEARCH

Press the up/down track button to choose your song. Press the 5 and 6 button to advance 10 songs up/down.

(2) TRACK SEARCH

Press the "F/PS" Button and the display will show "TRK SCH". At this moment, press the Sound Select Button so that "TRK" Will blink on the display. Then rotate the encoder volume to choose your desired track and press the sound select button all the way down to confirm the track. The input track will be searched and play.

(3) FILE SEARCH

Press the "F/PS" Button twice and the display will show "FILE SCH". At this moment, press the Sound select button so that the current folder will be shown. Rotate the encoder volume

to choose your desired folder and press all the way down to confirm. The input folder will be searched and play.

#### (4) CHARACTER SEARCH

Press the "F/PS" Button for three times and the display will show "CHAR SCH". This is for searching the computer file names of the Mp3 songs. At this moment, press the Sound Select Button so that the letters will blink on the display. Rotate the knob to select the character and press once to advance to the next. After you have input the name, press the select button all the way down to confirm. The song nearest to your input name will be searched and play.

#### Notes on MP3 and WMA

- MP3 is short for MPEG Audio Layer 3 and refers to an audio compression technology standard.
- This product allows playback of MP3 files on CD-ROM, CD-R or CD-RW discs.
- The unit can read MP3 files written in the format compliant with ISO 9660. However it does not support the MP3 data written by the method of packet write.
- The unit can not read an MP3 file that has a file extension other than ".mp3".
- If you play a non- MP3 file that has the ".mp3" extension, you may hear some noise.
- In this manual, we refer to what are called "MP3 file" and "folder" in PC terminology as "track" and "album", respectively.
- Maximum number of directory level is 8, including the root directory. Maximum number of files and folders per disc is 256.
- The unit may not play tracks in the order of Track numbers.
- The unit plays only the audio tracks if a disc contains both audio tracks and MP3 files.
- When playing a disc of 8 kbps or "VBR", the elapsed playing time in the display window will not be correct and also the intro play may not function properly. "VBR": Variable Bit Rate.
- The unit supports the playback of WMA files. The playback of ID3 tags for WMA format is not guaranteed, it depends on versions and availability of Cyrillic alphabet.

- WMA (Windows Media Audio) – music data compression format, created by Microsoft Corporation. This format uses coding algorithm for compression of initial audio-record, greatly decreasing the file size, but, saving the good sound quality even when the bit rate is low (for example, 64 Kbit/s).
- Remember that the unit may not play the tracks in order they are written on disc.

### Notes on creating your own CD-Rs or CD-RWs containing MP3 files

- To enjoy high quality sound, we recommend converting to MP3 files with a sampling frequency of 44.1 kHz and a fixed bit rate of 128 kbps.
- DO NOT store more than 256 MP3 files per disc.
- For ISO 9660 - compliant format, the maximum allowable depth of nested folders is 8, including the root directory (folder).
- When CD-R disc is used, playback is possible only for discs, which have been finalized.
- Make sure that when MP3 CD-R or CD-RW is burned that it is formatted as a data disc and NOT as an audio disc.
- You should not write non-MP3 files or unneeded folders along with MP3 files on the disc otherwise it takes a long time until the unit starts to play MP3 files.
- With some CD-R or CD-RW media, data may not be properly written depending on their manufacturing quality. In this case, data may not be reproduced correctly. High quality CD-R or CD-RW disc is recommended.
- Up to 16 characters are displayed for the name of an Album or a Track. ID3TAG version 1.x is required.
- Note that the unit may not play Tracks in the order that you wrote them to the disc.

## Anti-Theft System

---

### Remove the panel

1. Press POWER button to switch off the power of the unit.
2. Press OPEN button to flip down the panel.
3. Push the panel to the left and then pull it towards you.
4. Put it to the special box and take it with you.

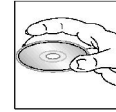
### Remove the unit

1. Remove the panel and the trim plate.
2. Insert both T-Keys into hole on the front of the set until they lock.
3. Pull out the unit.

## Handling compact discs

---

- Dirty, scratched or warped discs may cause skip ping or noise.
- Handle the disc only by the edges. To keep clean do not touch its surface.
- Discs should be stored in their cases after use to avoid scratches.
- Do not expose discs to direct sunlight, high humidity, high temperature or dust.
- Prolonged exposure to extreme temperature can warp the disc (such as leaving the discs in your car during summertime).
- Do not stick or write anything on either side of disc. Sharp writing instruments, or the inks used in some felt-tip pens, may damage its surface.
- DO NOT touch the unlabeled side.
- DO NOT attach any seal, label or data protection sheet to either side of a disc.
- This unit cannot play 3-inch ( 8cm ) CDs.
- Never insert a 3-inch CD contained in the adapter or an irregularly shaped CD. The unit may not be able to eject it, resulting in a malfunction.



## Cleaning

---

### 1. Cleaning the cabinet

Wipe with a soft cloth. If the cabinet is very dampen (not dropping wet) the cloth with a weak solution of soapy water, and then wipe clean.

### 2. Cleaning discs

Fingerprints should be carefully wiped from the surface of disc with a soft cloth. Unlike conventional records, compact discs have no grooves to collect dust and macroscopic dirt, so gently wiping them with a soft cloth should remove most panicles. Wipe in a straight motion from the center to the edge.

Never use thinner benzine, record cleaner or anti static spray on a compact disc. Such chemicals can damage its plastic surface.



## Troubleshooting guide

General No power or no sound	Car's engine switch is not on. Turn your car's key to ACC or ON. Cable is not correctly connected. Check connection. Fuse is burnt. Replace fuse. Check volume or mute on / off. If above solutions cannot help, press the RESET button.
Disc Disc is inside but no sound	Disc is upside down. Place disc in the correct direction, and the label side up. Disc is dirty or damaged. Clean disc or change another disc.
Disc sound skips, tone quality is low	Disc is dirty or damaged. Clean CD or change another CD.
Sound skips due to vibration	Mounting angle is over 30°. Adjust mounting angle to less than 30°. Instable mounting. Mount the unit securely with the mounting parts.
Radio Much noise in broadcasts	Station is too far, or signals are too weak. Select other stations of higher signal level.
Preset station is reset	Battery cable is not correctly connected. Connect the battery cable to the terminal that is always live.
Error display messages	NO FILE: Disc is not CD or contains no MP3 files. ERR-7: Disc upside down. ERR-10: Recovery error, check the disc. ERR-11: MP3 error, check the disc. ERR-3: ERR-4: Disc mechanism error. Press ▲ button to eject the disc. In case that the disc cannot be ejected by pressing ▲ button, press the RESET switch and press the▲ button again. If still not ejecting consult your dealer.

# Specification

---

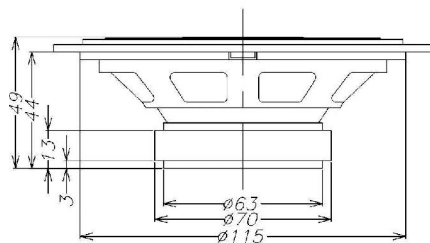
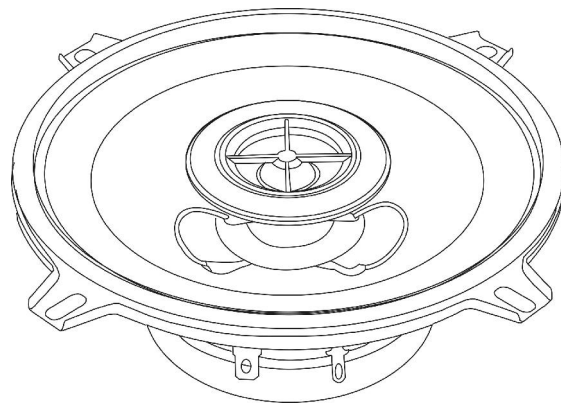
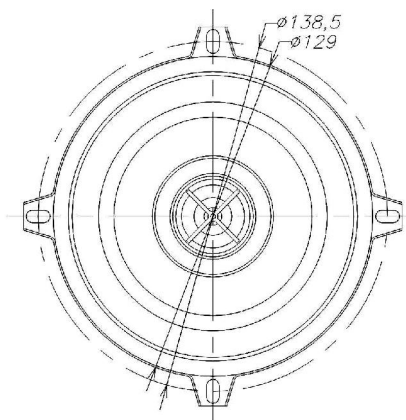
General	
Power supply	12 V DC
Current consumption	max. 10 A
Maximum power output	50Wx4 channels
Fuse	1A & 10A
Dimensions (L x W x H)	178 x 51 x 178 mm
FM stereo radio Frequency range	87.5 - 108.0 MHz
Usable sensitivity	3 uV
I.F. Frequency	10.7 MHz
MW Section	
Frequency range	522 kHz-1620 kHz
Usable sensitivity	30 dB
I.F. Frequency:	450 kHz
Disc player System:	Compact disc audio system
Usable disc:	MP3/ CD-R/ CD-RW
Frequency characteristics:	20-100 Hz $\leq$ 5 dB 10-20 kHz $\leq$ 5 dB
Signal to noise CD:	50 dB (1kHz)
Number of channels:	2 stereo
Line out Output:	CD max 1000 mV

Specifications are subject to change without notice. Dimensions are approximate.

# Instruction manual 13 cm 2 way coaxial acoustic system

## Description

---



The set of acoustic system includes:

- acoustic system
- speaker wire – 2 m
- screw – 8 pcs
- clip – 8 pcs



2 m



(x 8)



(x 8)



## Important safeguards

---

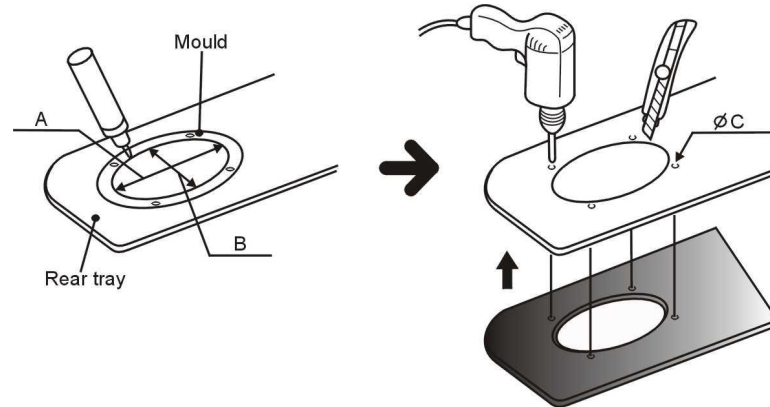
- The owner's manual contains important operating and maintenance instructions for your safety. It is necessary to refer the manual.
- Do not install the speakers where they may be subjected to excessive heat moisture, dust or where they will be kicked repeatedly, brushed or bumped.
- Before mounting and connecting the wires be sure that wire of the negative pole terminal is disconnected from accumulator. Nonobservance of this demand may cause the short circuit or fire.
- To prevent short circuit never put or leave any metal objects (e.g. coins or metal tools) inside the acoustic system.
- Make absolutely sure that the terminals for the speakers are connected to the proper outputs from the music source.
- Never run the wiring on the outside of the vehicle or under it where it can be damaged by road hazards or the moving parts of the vehicle. Use existing wire channels, sills, panels and molding strips inside the vehicle to hide the wiring for safety and a neat appliance.
- Make sure the wire of the negative pole terminal is disconnected from accumulator while connecting the speaker terminals. Turn on the various components and slowly advance the volume. Remember to check and re-check all connections to insure proper installation and use.
- Do not continuously use the speaker system beyond the nominal power handling capacity.
- Keep recorded tapes, watches, and personal credit cards using magnetic coding away from the speaker system to protect them from damage caused by the magnets in the speakers.
- If you cannot find the appropriate mounting location, consult your car dealer or your nearest dealer before mounting.

**CAUTION:** Take extreme caution when working near the gas tank, gas lines, brake or hydraulic lines and electrical wiring.

## Mounting the speakers

Installation kits are available from your dealer or local stereo shop to help make your installation easy. These kits also give your installation a clean, custom appearance. Questions about installations methods please consult a professional auto sound dealer/installer for assistance.

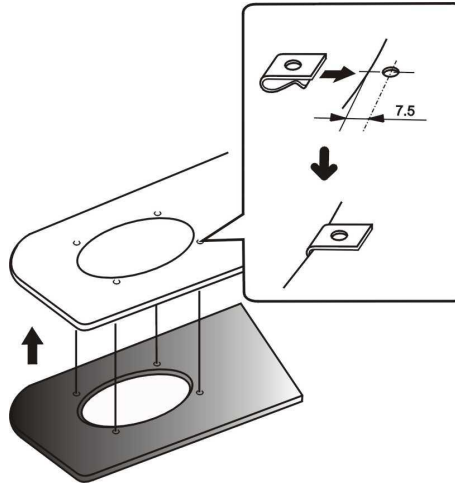
- Choose the place of installation for acoustic system. For most acoustic system stipulated regular places in the automobile approach. In this case you need to know only assembly depth. Before installation acoustic system check up their assembly depth.
- At a choice of a non-standard arrangement of speakers at which it is necessary to cut them in panels of the automobile, use a mould (not included). For achievement of ideal arrangement of acoustic system keep up geometry of a mould, as it is very important for correct installation of your system ( $A=B=115$  mm,  $\varnothing C=5$  mm).



- If it will be necessary to cut steel, reinstall the cosmetic panel in place and use the hole you have previously cut as a template. This will help to insure proper cutting and a good fit. Now, mark the locations for the speakers mounting screws, remove the panel and drill the screw holes. When finished you may replace the panel.
- After cutting and drilling all holes, inspect the mounting areas for any metal burrs or rough edges. File any area that may interfere with the mounting of the speaker.
- Clean any metal shavings from the mounting area and check for areas in which water may enter the speaker cavity. Treat the area for water protection when necessary.

## Securing the speakers

- Position the speaker into the mounting hole and reconfirm the correct mounting location and hole placement.
- Screw clips are provided to ensure a snug fit. These should be placed over the metal surface and line up the hole you have previously drilled with the screw clip. Place the speaker into the hole, align the holes and proceed to insert the screws. Be sure to tighten the screws evenly so that it will not warp the speaker frame.



- Turn your system back on and confirm the speakers operation first at a low volume and then you may increase the volume as you desire.

## If unit fails to operate properly

---

- Carefully read the instruction to make sure the unit is being operated properly. Check the following before you take your unit to the local dealer for repair.

SYMPTOM	POSSIBLE CAUSE	SOLUTION
No sound	The volume control regulator set in the minimal position	Adjust sound level
	Bad power connections	Check to see that all the power and speaker leads are securely connected
	The audio cassette receiver is damaged	Take your unit to the local dealer for repair
Unnatural sound	Acoustic system cables are connected without observance of polarity (+ or -)	Check to see that all the power and speaker leads are securely connected
	Damage speaker wire or speaker	Replace the speaker or speaker wires
	The audio cassette receiver is damaged	Take your unit to the local dealer for repair

NOTE: Good ground connections eliminate most electrical noise problems and require tight contact with the metal vehicle chassis. Remove plastics, paint or rust for good electrical contact.

## Specification

---

Loudspeaker cone	woofer: polypropylene cone tweeter: 20 mm piezo
Magnet	5.3 Oz
Peak output power	120 W
Rated output power	60 W
Impedance	4 Ohm
Sensitivity	90 dB
Frequency response	80 – 20000 Hz
Dimensions	138.5 x 49 mm
Net/Gross weight	0.38 kg/0.8 kg
Gift box dimension (L x W)	275 mm x 135 mm

## Уважаемый покупатель!

Благодарим Вас за покупку нашего изделия. Для обеспечения безопасности рекомендуется тщательно изучить настоящее руководство перед подключением, эксплуатацией и/или регулировкой изделия и сохранить руководство для использования в будущем.

## Содержание

Содержание.....	30
Инструкция на CD/MP3-ресивер .....	31
Меры предосторожности .....	31
Установка / подключение.....	32
Схема электрических соединений .....	37
Комплект поставки .....	39
Органы управления панели .....	40
Функции меню .....	43
Воспроизведение MP3 .....	46
Система защиты от кражи .....	50
Обращение с компакт-дисками .....	51
Чистка и уход .....	52
Руководство по устранению неисправностей .....	53
Технические характеристики .....	55
Инструкция к 13 см 2-полосной коаксиальной акустической системе .....	56
Описание .....	56
Меры безопасности .....	57
Установка акустической системы .....	59
Фиксация акустической системы .....	60
Причины неисправности акустической системы .....	61
Технические характеристики .....	62

## **Инструкция на CD/MP3-ресивер**

### **Меры предосторожности**

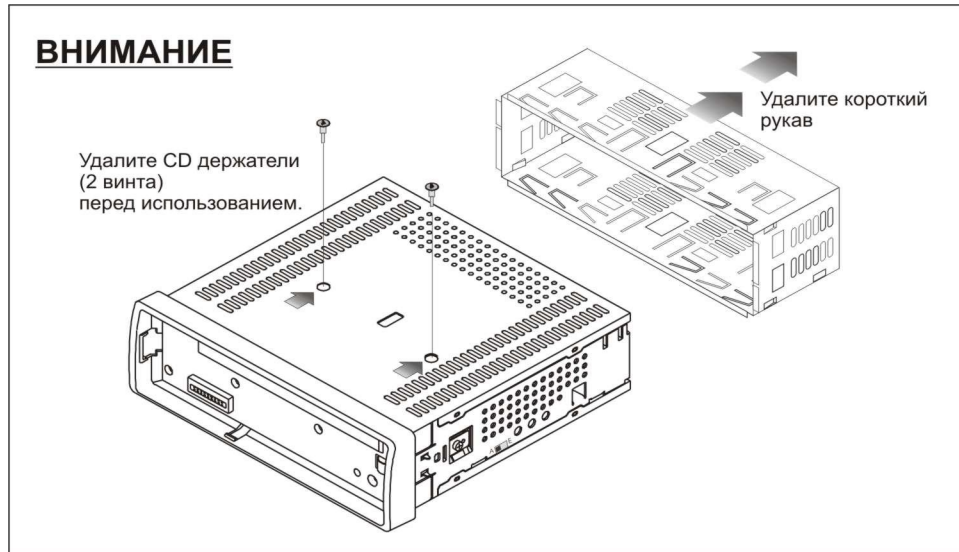
---

- Тщательно изучите настоящую инструкцию, чтобы ознакомиться с высококачественной аудиосистемой.
- При установке и подключении изделия отключите отрицательную клемму аккумулятора автомобиля.
- При замене предохранителя убедитесь, что вы устанавливаете предохранитель с тем же номиналом.
- Не пытайтесь разбирать изделие. Лазерные лучи, исходящие из блока оптической головки считывания информации с компакт-диска, опасны для глаз.
- Не используйте устройство в местах, где оно может подвергнуться воздействию воды, влаги и пыли.
- Убедитесь, что шпильки или другие посторонние предметы не попали внутрь изделия. Они могут вызвать сбои в работе или стать причиной поражения током или лазерным лучом.
- Если вы ставите автомобиль на стоянку на длительное время в жаркое или холодное время года, подождите пока температура в автомобиле не станет нормальной, перед тем как включать изделие.
- Не открывайте крышки и не проводите ремонт самостоятельно. Обратитесь к дилеру или квалифицированному персоналу.
- Убедитесь, вы отключаете источник питания и антенну, если вы не будете пользоваться системой в течение длительного времени или во время грозы.
- Убедитесь, что вы отключаете источник питания, если обнаружена неправильная работа системы, система издает необычные звуки, запах, выделяет дым или внутрь ее попала жидкость. Проведите квалифицированный технический осмотр системы.

- Прибор разработан таким образом, чтобы отрицательный вывод аккумулятора был подключен к корпусу транспортного средства. Пожалуйста, убедитесь в этом перед установкой.
- Не позволяйте проводам динамиков касаться друг друга при включении прибора. В противном случае, может быть перегружен или выйти из строя усилитель питания.
- Не устанавливайте съемную панель перед подключением кабеля.

## Установка / подключение

---



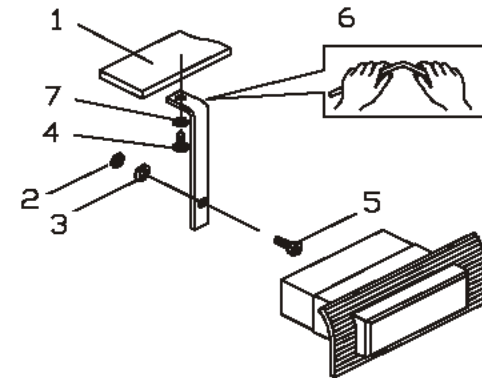


## Первый вариант установки

- После установки кожуха автомагнитолы в приборную панель автомобиля выберите на кожухе те металлические язычки, которые соответствуют толщине приборной панели, и отогните их, чтобы зафиксировать кожух на месте.



1. Приборная панель автомобиля
2. Гайка (5мм)
3. Пружинная шайба
4. Винт (5 x 25мм)
5. Винт
6. Металлическая планка
7. Плоская шайба

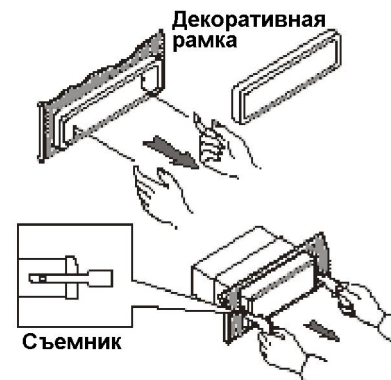


## Съем автомагнитолы

- Вставьте пальцы в выемки на передней стороне рамки и вытяните рамку на себя. (При установке декоративной

рамки на место направьте сторону с выемками вниз и установите рамку.)

- Вставьте съемники, входящие в комплект автомагнитолы, в пазы на обеих сторонах устройства, как показано на рисунке, чтобы они зафиксировались со щелчком. Для того, чтобы вынуть автомагнитолу из приборной панели автомобиля, потяните за съемники на себя.



### Второй вариант установки

Данный вариант установки предусматривает использование резьбовых отверстий, которые находятся на боковых панелях автомагнитолы.

Закрепите автомагнитолу на крепежных кронштейнах штатного радиоприемника.

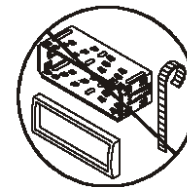
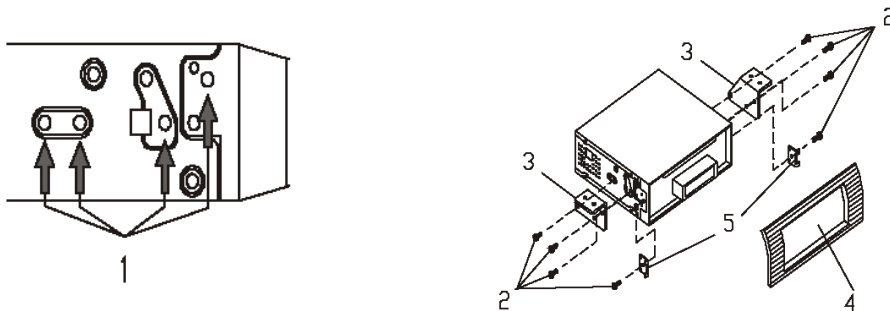
1. Выберите положение кронштейнов, при котором будут совмещены резьбовые отверстия на кронштейнах и резьбовые соединения на корпусе автомагнитолы. Закрепите кронштейны с обеих сторон автомагнитолы не менее чем в двух местах. Для этого используйте либо крепежные винты (5 x 8 мм), либо винты с потайной головкой (4 x 8 мм), в зависимости от типа резьбовых отверстий на кронштейне.

2. Винт.

3. Крепежные кронштейны штатного радиоприемника.

4. Приборная панель или консоль автомобиля.

5. Скоба (необходимо удалить).



**Примечание:**

При установке автомагнитолы по второму методу кожух, декоративная внешняя рамка и металлическая планка не используются.

Работа со съемной панелью

**Снятие съемной панели**

1. Нажмите на кнопку OPEN на панели. Панель опустится вниз (рис. 1).
2. Сдвиньте панель в левую сторону и вытяните ее на себя (рис. 2).

**Установка съемной панели**

1. Держите панель так, чтобы ее лицевая сторона была направлена вниз. Установите левую нижнюю часть панели в кронштейн магнитолы (рис. 3).

**Внимание:** панель нужно установить точно в кронштейн.

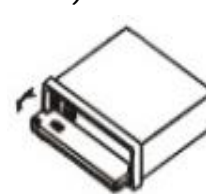


Рис. 1



Рис. 2

1. Нажмите на панель в левую сторону, установите правую нижнюю часть магнитолы.
2. Поднимите панель. Нажмите на верхнюю часть панели, чтобы она защелкнулась.



Рис. 3

**Внимание:**

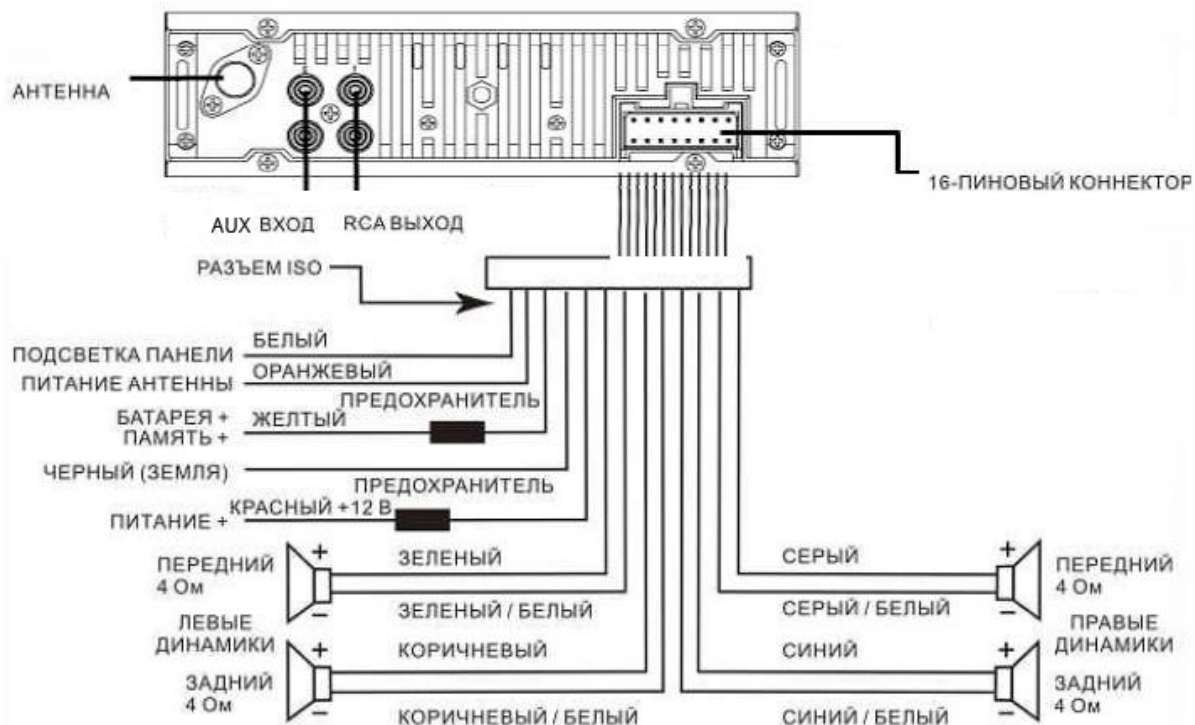
Не пытайтесь установить панель в правый кронштейн. Это может повредить устройство. Панель может повредиться из-за внешних факторов: тряски, ударов. После снятия ее с устройства держите панель в защитном футляре и старайтесь не ронять и не наносить физических повреждений.

Очень важным элементом является коннектор на задней части панели. Не нажимайте на него ногтями, ручками, отвертками.

**Примечание:**

Если панель загрязнилась или запылилась, протрите ее сухой чистой тканью. Для чистки разъема в задней части панели используйте тампон, смоченный техническим спиртом.

# Схема электрических соединений

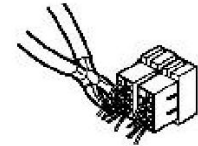
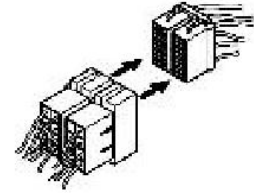


## Примечания:

- Независимо от вида динамиков, следует использовать динамики с сопротивлением, равным 4 Ом для уменьшения искажений при повышенной громкости.
- Запрещается соединять провода авто антенны и заземления между собой.

## Использование разъема ISO

1. Если в Вашем автомобиле есть разъем ISO, произведите подключение, как показано на рисунке.
2. Для подключений без разъемов ISO внимательно проверьте все провода перед подключением, неправильное подключение может привести к повреждениям изделия. Обрежьте разъем, подключите цветные головки разъема к шнуру питания батареи в соответствии с приведенной таблицей.



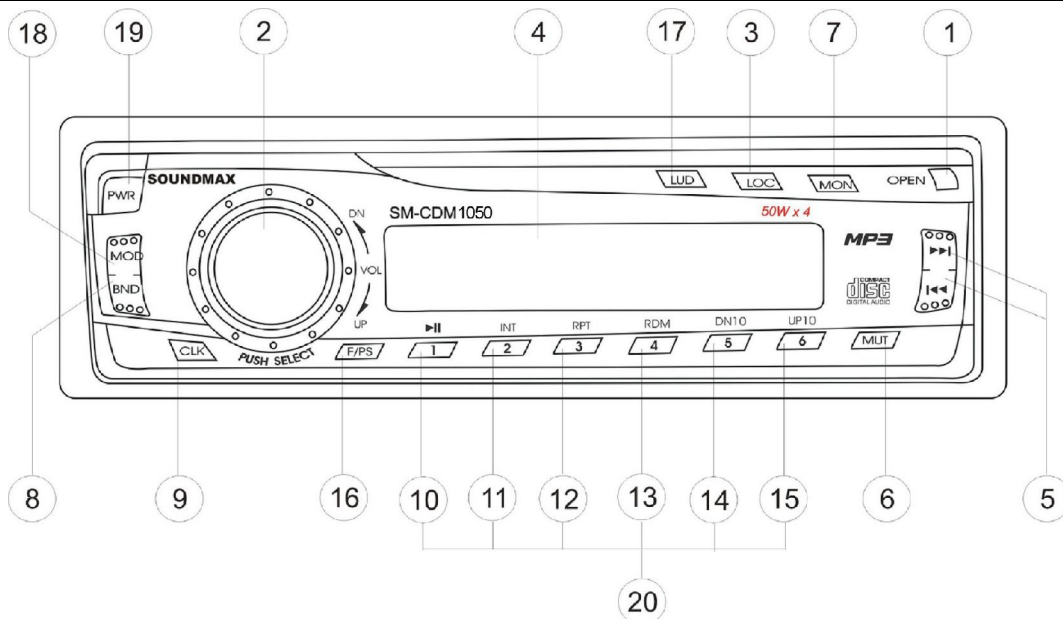
Номер	Функция	
	Разъем А	Разъем В
1		Задний правый(+)--Голубой
2		Задний правый(-)--- Голубой/Белый
3		Передний правый(+)--Серый
4	Питание 12В (+)/желтый	Передний правый(-)--- Серый/Белый
5	Авто антенна /синий	Передний левый(+)--Зеленый
6	Подсветка панели/белый	Передний левый((-)--- Зеленый/Белый
7	АСС+/красный	Задний левый(+)--Коричневый
8	Земля/черный	Задний левый(-)--- Коричневый/Белый

## Комплект поставки

---

№	Наименование	штук
1	Шестигранная гайка М5 Т (3,5 мм)	1
2	Кожух (0,6 мм)	1
3	Левый ключ (1,0 мм)	1
4	Правый ключ (1,0 мм)	1
5	Металлическая пластина (0,8 мм)	1
6	ISO коннектор	1
7	Плоская шайба $\Phi=5$ мм	1
8	Короб	1
9	Внешняя рамка	1
10	Пружинная шайба $\Phi=5$ мм	2
11	Винт $\Phi 5 \times 5$ мм	4
12	Винт $\Phi 5 \times 25$ мм	1
13	Винт М5 $\Phi 5 \times 29,3$ мм	1
14	Информация для потребителя	1
15	Гарантийный талон	1
16	Инструкция по эксплуатации	1

## Органы управления панели



### 1. КНОПКА OPEN

Нажмите ее, чтобы откинуть переднюю панель и иметь возможность вставить диск или нажать на кнопку EJECT для извлечения диска.

### 2. Кнопка регулировки звука.

Нажмите кнопку для выбора VOL/BAS/TRE/BAL/FAD.

Нажмите и удерживайте кнопку не менее 2 секунд для входа в режим меню.

Композиция MP3/поиск файла/ поиск символа.

ESP 45s/120s

### 3. Кнопка LOC

Нажмите на кнопку, чтобы выбрать режим: LOCAL (местный) или DISTANCE (удаленный).



4. Дисплей.
5. Кнопки ◀/▶  
В режиме диска нажимайте на кнопки для перехода к предыдущему/следующему треку. Нажмите и удерживайте для ускоренного воспроизведения назад/вперед.
6. КНОПКА MUTE  
Нажмите на кнопку MUTE, чтобы выключить звук.
7. Кнопка MON.  
Нажмите на кнопку, чтобы выбрать STEREO (Сtereo) или MONO (Моно).
8. Кнопка BAND  
В режиме BAND (Радио) нажимайте на эту кнопку, чтобы выбрать диапазон.
9. Часы
10. Кнопка PLAY/PAUSE (воспроизведение/пауза)
11. Ознакомительное воспроизведение (10 секунд).
12. Повторное воспроизведение композиции.  
Нажмите эту кнопку для повтора выбранного трека. На дисплее отобразится "RPT ON.". Нажмите ее снова для отмены.
13. Произвольное воспроизведение композиции.  
Нажмите эту кнопку для воспроизведения треков на диске в случайном порядке. На дисплее отобразится "RDM ON" . нажмите эту кнопку снова для отмены.
14. Дорожка MP3 –10 вниз.
15. Дорожка MP3 +10 вверх.
16. Кнопка F/PS: автоматическое сканирование/сохранение
17. Кнопка LOUD  
Нажмите на кнопку, чтобы выбрать LOUD ON (вкл.) или LOUD OFF (выкл.)
18. Кнопка выбора режима MODE

Нажимайте на кнопку, чтобы выбрать режим: TUNER (Радио) => DISC (Диск) => AUX.

#### 19. КНОПКА POWER

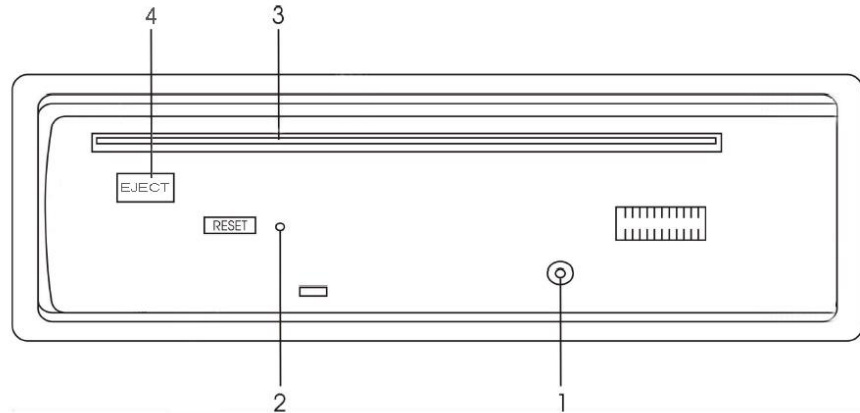
Нажмите любую кнопку на панели, за исключением OPEN, чтобы включить изделие.

#### 20. Цифровые кнопки

### Внутренняя панель

Нажмите на кнопку OPEN, чтобы откинуть переднюю панель.

1. LED индикатор
2. Кнопка RESET
3. Слот для диска
4. Кнопка EJECT



## Функции меню

---

Нажмите кнопку POWER для включения изделия, на дисплее появится WELCOME, это значит, изделие готово к работе. Нажмите кнопку BAND для выбора режима, нажмите кнопку MODE для выбора Aux, режима Radio и воспроизведения CD/MP3. Нажмите кнопку POWER снова для выключения изделия.

### Регулировка громкости

A. Уровень звука может быть отрегулирован с помощью вращения кнопки VOL, по умолчанию при нажатии кнопки SEL появляется данный режим.

### Регулировка басов

A. Нажмите кнопку SEL для выбора регулировки басов, на дисплее появится надпись BAS.

B. Вращением кнопки регулировки отрегулируйте басы.

### Регулировка низких частот

A. Нажмите кнопку SEL для выбора регулировки низких частот, на дисплее появится надпись TRE.

B. Вращением кнопки регулировки отрегулируйте низкие частоты.

### Регулировка баланса

A. Нажмите кнопку SEL для выбора регулировки баланса, на дисплее появится надпись BAL.

B. Вращением кнопки регулировки отрегулируйте громкость правого и левого динамиков.

### Регулировка фейдера

A. Нажмите кнопку SEL для выбора регулировки фейдера, на дисплее появится надпись FAD.

B. Вращением кнопки регулировки отрегулируйте громкость передних и задних динамиков.

### Режим BEEP ON/OFF

Нажмите кнопку SEL в течение 2 секунд, на дисплее отобразится DSP OFF.

Нажмите и удерживайте кнопку SEL для отображения BEEP ON на дисплее, нажмите кнопки вверх/вниз для выбора режима ВКЛ или ВЫКЛ, не нажимайте других кнопок, чтобы изменения сохранились.

### Режим LOUD

Нажмите кнопку LUD для активизации выхода басов, на дисплее отобразится LOUD ON, это означает, что функция громкости активирована. Нажмите кнопку снова для отмены.

### Установка часов

Вы можете настроить отображение времени на дисплее при включенном питании изделия.

Нажмите кнопку CLK, затем нажмите и удерживайте кнопку CLK в течение 3 секунд, на дисплее начнет мигать время.

1. Вращайте кнопку регулировки звука по часовой стрелке для установки часов.
2. Вращайте кнопку регулировки звука против часовой стрелки для установки минут.
3. Нажмите снова кнопку CLK или оставьте изделие, чтобы изменения вступили в силу.

В любое время нажмите кнопку CLK, чтобы посмотреть текущее время.

### Режим DSP

Нажмите и удерживайте кнопку SEL в течение 2 секунд, на дисплее отобразится DSP OFF.

Нажмите кнопки вверх/вниз, для выбора режима эквалайзера.

POP → ROCK → CLASSIC → FLAT → DSP OFF



После выбора режима оставьте изделие, чтобы изменения сохранились.

### Выбор диапазона радио

Нажмите кнопку BAND для установки параметров радиоприемника. (Можно и из режима воспроизведения CD)

Доступны 3 FM поддиапазона (FM1, FM2)

Доступны 2 MW поддиапазона (MW1, MW2)

В каждом поддиапазоне Вы можете сохранить по 6 станций в память, всего 30 станций.

### Поиск и настройка радио

В режиме радио нажмите и удерживайте кнопку « $\ll$ /» более 3 секунд для ручной настройки частоты радио.

Приемник настроится на следующую или предыдущую станцию с сильным сигналом.

Повторите действия для поиска других радиостанций.

### Сохранение настроенных станций.

На панели изделия есть 6 кнопок, с помощью которых Вы можете сохранить и включать радиостанции в каждом диапазоне. Доступно 5 поддиапазонов и 30 предварительно настроенных станций. 3 FM поддиапазона, F1, F2 и F3 – это 18 предварительно настроенных станций в FM диапазоне. 2 MW поддиапазона, MW1 и MW2 – это 12 предварительно сохраненных станций в MW диапазоне.

### Автоматическое сохранение/ Предварительная настройка

(1) Автоматическое сканирование и сохранение

Нажмите кнопку "F/PS" более 3 секунд, приемник автоматически просканирует диапазон и сохранит станции для FM диапазона.

(2) Сброс

Нажмите кнопку "F/PS" менее 1 секунды, приемник сбросит настройки станций. Вам необходимо снова настроить станции.

### Выбор следующего трека и перемотка вперед

Нажмите кнопку ► для перехода к следующему треку, номер трека отобразится на дисплее. Нажмите и удерживайте кнопку ► регулировки для перемотки вперед. Как только кнопка будет отпущена, воспроизведение возобновится.

### Выбор предыдущего трека и перемотка назад

Нажмите кнопку ◀ для возврата к предыдущему треку, номер трека отобразится на дисплее. Нажмите и удерживайте кнопку ◀ для перемотки назад. Как только кнопка будет отпущена, воспроизведение возобновится.

## **Воспроизведение MP3**

---

### **Электронная система стабилизации для CD (12 или 45 секунд)**

Электронная система стабилизации необходима при движении по неровной дороге. Нажмите кнопку SEL в течение 2 секунд, на дисплее отобразится "DSP OFF". Нажмите кнопку SEL снова, на дисплее отобразится "ESP 12" , это означает, что выбрана система стабилизации на 12 секунд.

После этого вращением кнопки регулировки звука можно выбрать систему стабилизации на 45 секунд, на дисплее отобразится "ESP 45". Затем оставьте изделие, чтобы настройки сохранились.

### **Электронная система стабилизации для MP3**

Данное изделие рассчитано на 120 секунд электронной системы стабилизации для MP3.

### **Поиск трека MP3**

Данное изделие может отображать ID3 теги во время воспроизведения MP3 треков. На дисплее отображается информация о папке, имени файла, имя исполнителя, имя альбома. Вы можете искать треки на диске 4 способами:

(1) ОБЫЧНЫЙ ПОИСК

Нажмите кнопки вверх/вниз для выбора трека. Нажмите кнопки 5 или 6 для перехода на 10 треков вперед или назад.

(2) ПОИСК ТРЕКА

Нажмите кнопку "F/PS" , на дисплее отобразится "TRK SCH". Нажмите кнопку SEL, надпись "TRK" на дисплее замигает. Вращайте кнопку регулировки звука для выбора трека, нажмите кнопку SEL для подтверждения выбора. Начнется воспроизведение выбранного трека.

(3) ПОИСК ПАПКИ

Нажмите кнопку "F/PS" дважды, на дисплее отобразится "FILE SCH". Нажмите кнопку SEL, появится название текущей папки. Вращайте кнопку регулировки звука для выбора папки, нажмите кнопку SEL для подтверждения выбора. Начнется воспроизведение выбранной папки.

(4) ПОИСК ПО БУКВАМ В НАЗВАНИИ ТРЕКА

Нажмите кнопку "F/PS" трижды, на дисплее отобразится "CHAR SCH". Это удобно для поиска по названию файла, так, как оно отображается в компьютере. Нажмите кнопку SEL, на дисплее замигают буквы. Вращением кнопку регулировки звука выберите букву, нажмите на кнопку для перехода к выбору следующей буквы. После того, как Вы ввели название, нажмите кнопку SEL для подтверждения. Трек, название которого близко к введенному, начнет воспроизводиться.

### **Примечания по MP3 и WMA**

- MP3 это краткое обозначение аудио слоя MPEG 3 и относится к стандарту технологии сжатия звука.

- Данное изделие позволяет воспроизводить файлы MP3 на дисках CD-ROM, CD-R или CD-RW.
- Изделие может считывать файлы MP3, записанные в формате, соответствующем ISO 9660. Однако оно не поддерживает данные MP3, записанные методом пакетной записи.
- Изделие не может считывать файлы MP3, которые имеют расширение файла, отличающееся от ".mp3".
- Если вы воспроизводите не MP3 файл, который имеет расширение ".mp3", вы можете слышать некоторые шумы.
- В данном руководстве мы рассматриваем файлы, называемые "файлами MP3" и "папкой", а в технологии PC "дорожкой" и "альбомом" соответственно.
- Максимальное количество уровней директории равно 8, включая корневую директорию. Максимальное количество файлов и папок на диске 256.
- Изделие может не воспроизводить дорожки в последовательном порядке.
- Изделие воспроизводит только аудио треки, если диск содержит как аудио треки, так и файлы MP3.
- При воспроизведении диска 8 килобит или VBR, истекшее время воспроизведения в окне дисплея будет неправильным, а также ознакомительное воспроизведение может не действовать надлежащим образом. VBR: Переменная скорость передачи битов.
- Устройство поддерживает воспроизведение WMA файлов. Воспроизведение ID3 тегов для формата WMA не является гарантированным, так как это зависит от версий и наличия кириллицы.
- WMA (Windows Media Audio) – формат сжатия музыкальных данных, созданный Microsoft Corporation. Формат использует алгоритмы кодирования для сжатия исходной аудиозаписи, значительно уменьшая размеры файла, но, сохраняя хорошее качество звука даже при низких (например, 64 Кбит/сек) скоростях передачи данных (битрейтах).
- Помните, что изделие может не воспроизводить треки в том порядке, в котором они записаны на



### Замечание по созданию собственных CD-R или CD-RW, содержащих файлы MP3.

- Для получения высокого качества звука мы рекомендуем преобразовывать файлы MP3 с эталонной частотой 44,1 кГц и фиксированным битрейтом 128 кбит/сек.
- НЕ сохраняйте более 256 файлов MP3 на диске.
- Для формата, совместимого с ISO 9660, максимально допустимая глубина вложенных папок равняется 8, включая корневую директорию (папку).
- При использовании диска CD-R воспроизведение возможно только для дисков, которые были закончены.
- Убедитесь, что при записи MP3 CD-R или CD-RW были отформатированы как диски данных, а НЕ как аудио диски.
- Вы не должны записывать не-MP3 файлы или ненужные папки вместе с файлами MP3 на диск, в противном случае потребуется много времени, пока изделие начнет воспроизводить файлы MP3.
- На некоторых CD-R или CD-RW данные могут быть записаны ненадлежащим образом в зависимости от качества их производства. В этом случае данные могут быть воспроизведены ненадлежащим образом. Рекомендуются диски CD-R или CD-RW высокого качества.
- Имя альбома или композиции может содержать до 16 символов. Необходима версия 1.x ID3TAG.
- Помните, что изделие может воспроизводить треки не в том порядке, в котором они записаны на диске.

## **Система защиты от кражи**

---

### Снятие панели

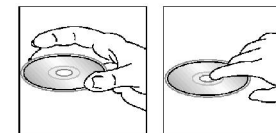
1. Нажмите на кнопку POWER, чтобы выключить питание устройства.
2. Нажмите на кнопку OPEN, чтобы снять панель.
3. Нажмите на панель в левую сторону и вытяните ее правую сторону на себя.
4. Положите панель в специальный футляр и возьмите его с собой, когда будете покидать машину.

### Съем изделия

1. Снимите панель.
2. Вставьте два Т-образных ключа в отверстие лицевой стороны, пока не услышите щелчок.
3. Выньте изделие.

## Обращение с компакт-дисками

- Грязные, поцарапанные или погнутые диски могут вызвать искажение звука или шумы
- Держите диск только за края. Чтобы обеспечить чистоту, не прикасайтесь к его поверхности.
- Диски должны храниться в их чехлах после использования, чтобы не поцарапать их поверхность.
- Не подвергайте диски действию прямого солнечного света, повышенной влажности, повышенным температурам или действию пыли.
- Продолжительное влияние предельных температур может изогнуть диск (например, пребывание дисков в автомобиле в летнее время).
- Не царапайте и не пишите что-либо на любой стороне диска. Острые пишущие инструменты или чернила, используемые в них, могут повредить поверхность диска.
- НЕ ПРИКАСАЙТЕСЬ к стороне, не имеющей маркировки.
- НЕ ПРИКРЕПЛЯЙТЕ какую-либо печать, этикетку или лист предохранения данных к любой стороне диска.
- Данное изделие не может воспроизводить CD размером 3 дюйма (8 см).
- Никогда не вставляйте CD размером 3 дюйма, установленный в адаптер, или CD неправильной формы. Изделие не сможет выбросить его, что приведет к сбою.



## Чистка и уход

---

### Чистка корпуса

Протирайте мягкой тканью. Если корпус очень загрязнен (не мочите его), используйте ткань, слегка смоченную мыльным раствором, и затем вытрите его сухой тканью.

### Чистка дисков

а) Отпечатки пальцев должны быть тщательно стерты с поверхности диска мягкой тканью. В отличие от обычных пластинок, компакт-диски не имеют канавок для сбора пыли и микроскопических частиц грязи, поэтому осторожно вытирайте их мягкой тканью, чтобы убрать частицы грязи. Вытирайте прямолинейным движением от центра к краю.

б) Никогда не используйте растворитель, бензин, очиститель пластинок или антистатический аэрозоль для чистки дисков. Такие химические вещества могут повредить его пластиковые поверхности.



## Руководство по устранению неисправностей

Общие Нет питания или нет звука	Двигатель автомобиля не заведен. Установите ключ автомобиля в положение ACC или ON. Кабель подключен неправильно. Проверьте подключение. Сгорел предохранитель. Замените предохранитель. Проверьте, включен или выключен звук.
Диск Диск вставлен, но звука нет.	Диск перевернут. Установите диск правильно, этикеткой вверх. Диск загрязнен или поврежден. Очистите диск или замените его.
Звук искажен, низкое качество звучания.	Диск загрязнен или поврежден. Очистите диск или замените его.
Звук искажается в результате вибраций.	Угол установки более 30 °, установите угол менее 30 ° Ненадежная установка. Установите изделие надежно при помощи установочных деталей.
Радио Сильные шумы при приеме	Станция расположена слишком далеко, или сигнал слишком слабый. Выберите другие станции с высоким уровнем сигнала.
Предварительно установленная станция сбрасывается.	Аккумулятор подключен неправильно. Подключите кабель аккумулятора к клемме, которая всегда находится под напряжением.

Представляются  
сообщения об ошибке

NO FILE: Диск не является диском CD или не содержит файлов MP3.

ERR-7: Диск перевернут.

ERR-10: Ошибка восстановления. Проверьте диск.

ERR-11: Ошибка MP3. Проверьте диск.

ERR-3: ERR-4: Ошибка дискового механизма.

Нажмите кнопку ▲ для извлечения диска. Если диск невозможно вынуть нажатием кнопки ▲, нажмите переключатель RESET и нажмите кнопку ▲ вновь. Если диск все равно не вынимается, обратитесь к продавцу изделия.

## Технические характеристики

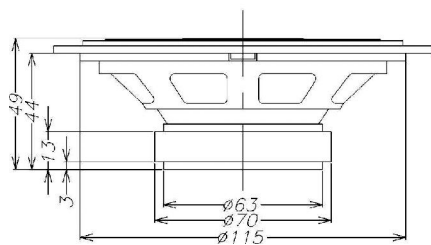
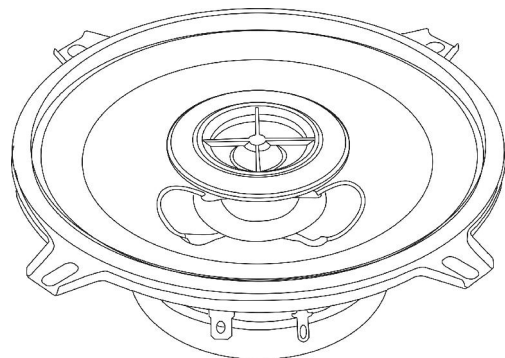
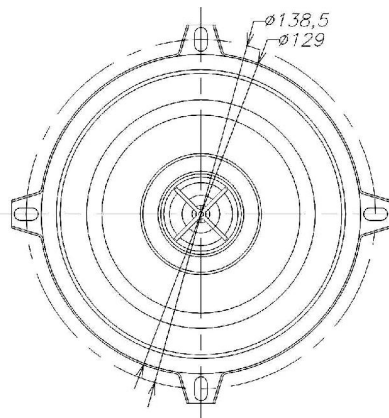
<b>Общие:</b> Источник питания	12 В, постоянное
Потребляемый ток	макс. 10 А
Максимальная выходная мощность	50 Вт x 4 канала
Предохранитель	1А и 10А
Размеры (Д x Ш x В)	178 x 51 x 178 мм
<b>Сtereo FM радио</b> Частотный диапазон	87.5 - 108.0 МГц
Используемая чувствительность	3 мкВ
Промежуточная частота	10.7 МГц
<b>MW радио</b>	
Частотный диапазон	522-1620 кГц
Используемая чувствительность	30 дБ
Промежуточная частота	450 кГц
<b>Воспроизведение дисков</b> Система	Дисковая аудио система
Поддерживаемые форматы	MP3/ CD-R/ CD-RW
Частотные характеристики	20-100 Гц ≤ 5 дБ 10-20 кГц ≤ 5 дБ
Отношение сигнал/шум CD	50 дБ (1 кГц)
Количество каналов	2 стерео
<b>Линейный выход</b> Выход	CD макс. 1000 мВ

Технические характеристики могут быть изменены заводом-изготовителем без предварительного уведомления.

Указанные геометрические размеры имеют приблизительные значения.

# Инструкция к 13 см 2-полосной коаксиальной акустической системе

## Описание



В состав комплекта  
входит:

- акустическая система
- провод – 2 м
- винт – 8 шт.
- хомут – 8 шт.



2 м



(x 8)



(x 8)



## Меры безопасности

---

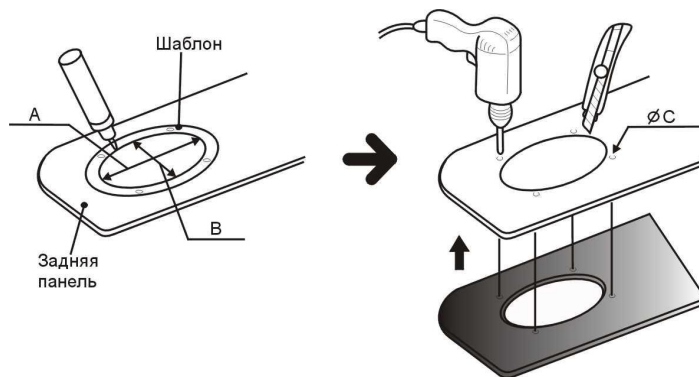
- В руководстве указаны важные указания по эксплуатации и уходу. Сохраните руководство по эксплуатации для последующего использования.
- Не устанавливайте динамики на неровной поверхности, а также в местах, подверженных воздействию влажности, высокой температуры, пыли и сильной вибрации.
- Перед креплением и подключением проводов убедитесь в том, что провод от отрицательной клеммы (-) аккумулятора отсоединен. Несоблюдение этого требования может привести к возникновению короткого замыкания или пожара.
- Чтобы предотвратить возникновение короткого замыкания, никогда не кладите и не оставляйте никаких металлических предметов (например, монет или металлических инструментов) внутри акустической системы.
- Убедитесь, что клеммы проводов динамиков подключены к соответствующим выходным зажимам автомагнитолы.
- Никогда не прокладывайте электропроводку с внешней стороны автомобиля или под ним, где она может быть повреждена неровностями на дороге или подвижными деталями автомобиля. При установке динамиков для маскировки и сохранности электропроводки, используйте предусмотренные заранее места, такие как пороги, панели и обшивку салона.
- Во время подключения клеммы проводов убедитесь, что провод от отрицательной клеммы (-) аккумулятора отсоединен. Проверьте все соединения и убедитесь в правильности подключения, для обеспечения идеальной работы акустической системы.
- Избегайте длительного превышения номинальной мощности звукового сигнала, подаваемого на акустические системы.
- Не держите вблизи от акустических систем кассеты с записью, часы или кредитные карточки с магнитным кодом во избежание их повреждения под воздействием магнитов, имеющих в динамиках.
- Если Вы самостоятельно не можете найти подходящее место для установки акустических систем, обращайтесь за советом в ближайшую автомобильную мастерскую или к ближайшему дилеру.

**ВНИМАНИЕ:** Соблюдайте технику безопасности при работе около бензобака, газовых магистралей, гидравлических линий и линий электропроводки.

## Установка акустической системы

Наборы инструментов для установки автомобильной акустической системы можно приобрести у Вашего дилера или в местном магазине аудио аппаратуры. Эти наборы помогут Вам легко произвести установку динамиков. Со всеми вопросами, связанными с методами установки акустических систем, обращайтесь к профессиональным дилерам автомобильной аудио аппаратуры.

- Выберите место установки автомобильной акустической системы. Для большинства динамиков подходят предусмотренные штатные места в автомобиле. В этом случае Вам понадобится знать только монтажную глубину. Перед установкой динамиков проверьте их монтажную глубину.
- При выборе нестандартного расположения динамиков, при котором необходимо врезать их в панели автомобиля, используйте шаблон (не входит в комплект поставки). Для достижения идеального расположения акустической системы следите за геометрией шаблона, так как точность размеров влияет на качество установки акустической системы (A=B=115 мм, ØC=5 мм).

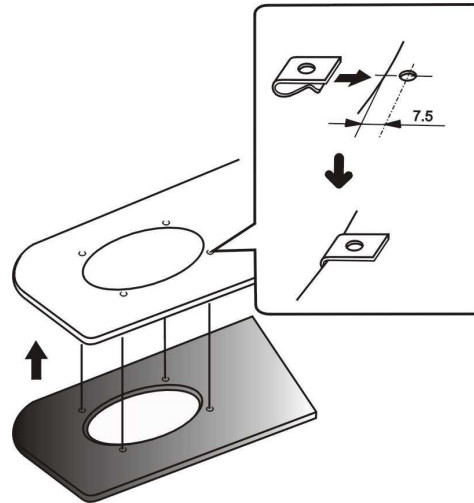


- Если под декоративной панелью проходит металлический корпус автомобиля, тогда для установки акустической системы Вам необходимо действовать следующим образом: снимите декоративную панель; вырежьте посадочное место по шаблону; на металлическом корпусе сделайте разметку отверстий для установки крепежных винтов; просверлите отверстия под крепежные винты.

- После того, как отверстия вырезаны, проверьте место установки на наличие неровных поверхностей и краев. Отшлифуйте поверхности, которые могут помешать установке акустической системы.
- Удалите металлическую стружку с места установки динамиков и проверьте его на наличие пустот, куда может попасть вода.

## Фиксация акустической системы

- Установите акустическую систему в подготовленные места и еще раз убедитесь, что ее расположение выбрано правильно.
- В комплект динамиков входят хомуты, которые должны располагаться на металлической поверхности корпуса автомобиля и совпадать с просверленными до этого отверстиями. Закрепите хомуты с помощью винтов и убедитесь, что при этом каркас динамика не деформировался.



- Включите автомагнитолу на минимальном уровне громкости и проверьте, что динамики работают. После этого Вы можете установить необходимый уровень громкости.

## Причины неисправности акустической системы

- Если Ваша акустическая система по каким-либо причинам не работает, то прежде чем обращаться в сервисный центр, внимательно прочитайте данную инструкцию. В таблице приведены часто встречающиеся причины, из-за которых прибор не функционирует.

ПРИЗНАК	ВОЗМОЖНАЯ ПРИЧИНА	УСТРАНЕНИЕ
Нет звука	Регулятор громкости установлен в минимальное положение	Установите оптимальный уровень громкости
	Поврежден провод подключения динамика или сам динамик	Проверьте провод или динамик
	Автомагнитола не исправна	Обратитесь в сервисный центр
Неестественный звук	Кабели акустической системы подключены без соблюдения полярности (+ и -)	Правильно подключите провод в соответствии с примером подключения
	Динамик или проводка неисправны	Замените динамик или проводку
	Автомагнитола не исправна	Обратитесь в сервисный центр

**ВНИМАНИЕ:** Правильное заземление является гарантом хорошего звучания Вашей акустической системы. Тщательно очистите поверхность, предназначенную для подключения заземляющего провода, от краски, ржавчины и других загрязнений.

## Технические характеристики

Диффузор	НЧ: диффузор из полипропилена ВЧ: 120 мм пьезо твитер
Магнит	5,3 унций (150 г)
Максимальная выходная мощность	120 Ватт
Номинальная мощность	60 Ватт
Сопротивление	4 Ом
Чувствительность	90 дБ
Диапазон воспроизводимых частот	80 – 20000 Гц
Размеры	138,5 x 49 мм
Вес нетто / брутто	0,38 кг/0,8 кг
Размеры коробки (Д x Ш)	275 мм x 135 мм



**АИ49**