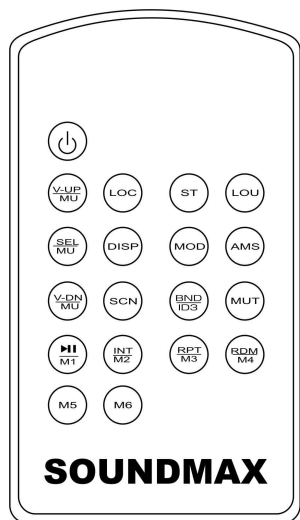
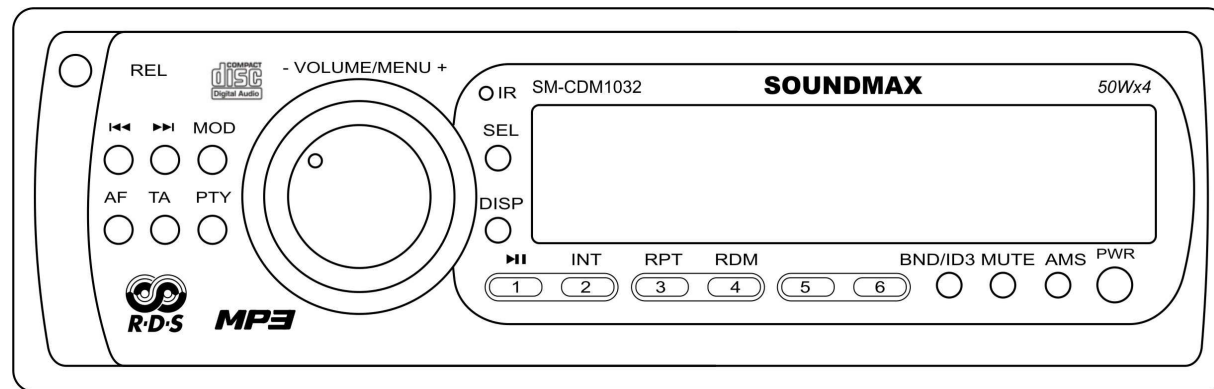


SM-CDM1032



CD/MP3-RECEIVER
Instruction manual



CD/MP3-РЕСИВЕР
Руководство по эксплуатации

Dear customer!

Thank you for purchasing our product. For safety, it is strongly recommended to read this manual carefully before connecting, operating and/or adjusting the product and keep the manual for reference in the future.

Table of contents

Table of contents 2

Important safeguards..... 3

Installation/ Connections 4

Panel controls..... 8

General operations..... 11

Radio operations..... 12

CD/MP3 operations 16

MP3 overview 18

Anti-theft system..... 19

Handling compact discs 20

Cleaning 20

Troubleshooting guide 21

Specification 22

Important safeguards

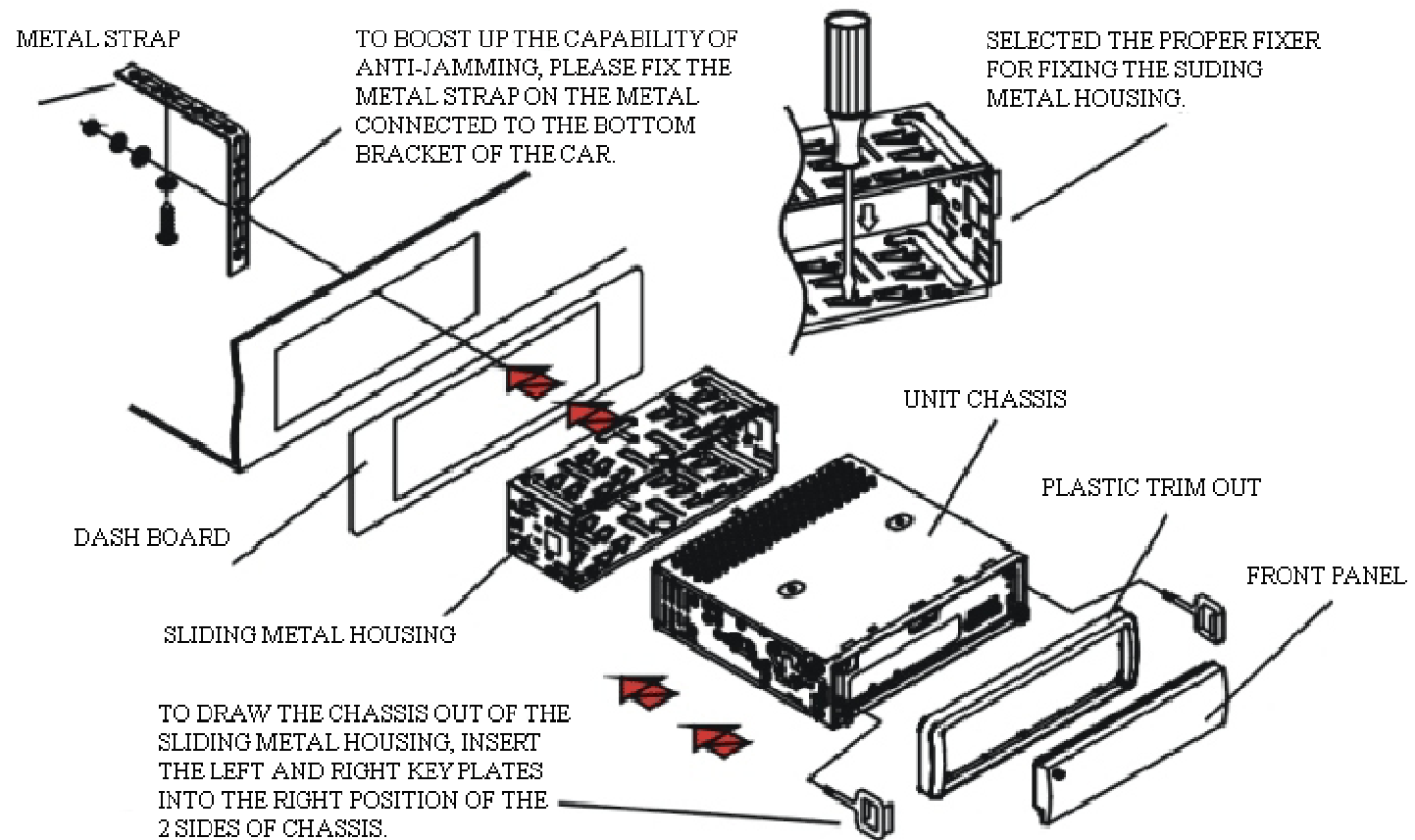
- Read carefully through this manual to familiarize yourself with this high-quality sound system.
- Disconnect the vehicle's negative battery terminal while mounting and connecting the unit.
- When replacing the fuse, be sure to use one with an identical amperage rating. Using a fuse with a higher amperage rating may cause serious damage to the unit.
- DO NOT attempt to disassemble the unit. Laser beams from the optical pickup are dangerous to the eyes.
- Make sure that pins or other foreign objects do not get inside the unit; they may cause malfunctions, or create safety hazards such as electrical shock or laser beam exposure.
- If you have parked the car for a long time in hot or cold weather, wait until the temperature in the car becomes normal before operating the unit.
- DO NOT open covers and do not repair yourself. Consult the dealer or an experienced technician for help.
- Make sure you disconnect the power supply and aerial if you will not be using the system for a long period or during a thunderstorm.
- Make sure you disconnect the power supply if the system appears to be working incorrectly, is making an unusual sound, has a strange smell, has smoke emitting from it or liquids have got inside it. Have a qualified technician check the system.
- The unit is designed for negative terminal of the battery, which is connected to the vehicle metal. Please confirm it before installation.
- Do not allow the speaker wires to be shorted together when the unit is switched on. Otherwise it may overload or burn out the power amplifier.
- Do not install the detachable panel before connecting the wire.

Installation/ Connections

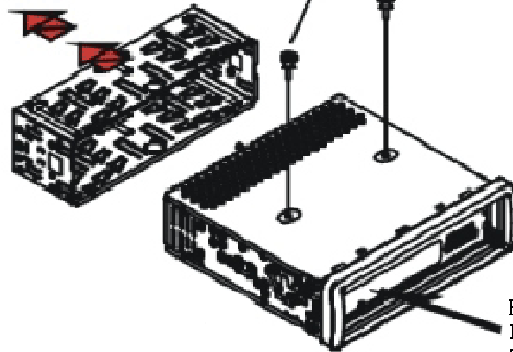
First complete the electrical connections, and then check them for correctness.

Installation way

It is an anti-theft installation way. The chassis wear a metal sliding housing. Please have the wiring connection of the power supply, speakers and antenna as for the requirement of the manual, and then install the metal sliding housing into the car according to the diagram.

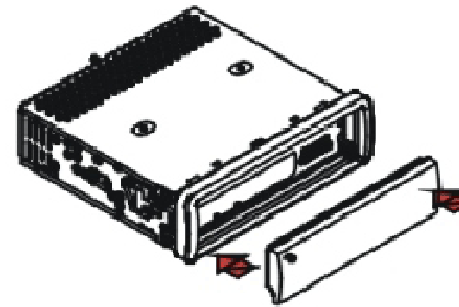


REMOVE THE SLIDING
METAL HOUSING AWAY

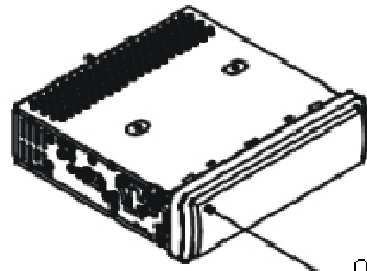


REMOVE AWAY 2 SCREWS FOR PROTECT
THE DECK BEFORE OPERATING IT.

TO INSTALL THE FRONT PANEL BACK
INTO THE UNIT CHASSIS, FIRSTLY INSTALL
THE RIGHT SIDE IF IT BACK INTO THE RIGHT
POSITION, THEN PUSH THE LEFT SIDE BACK
TO THE UNIT CHASSIS TILLOK.



RESET BUTTON
PRESS RESET BUTTON TO RESUME
THE DISTORTED PROGRAM WHEN
THE LCD DISPLAY IMPROPERLY AND
SOME BUTTONS ARE INVALID.

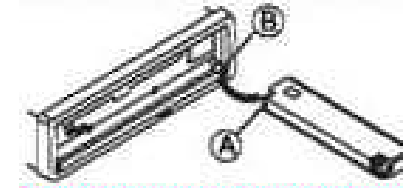


OPEN BUTTON

TO INSERT DISC INTO COMPARTMENT OR EJECT DISC OUT
OF THE COMPARTMENT OR TAKE THE FRONT PANEL AWAY
THE UNIT CHASSIS, PRESS THE OPEN BUTTON TO FLIP DOWN
THE FRONT PANEL.

Attaching the control panel

1. Insert the right side of the control panel (pic. 1, A) into the shaft of the main unit (pic. 1, B).
 2. Push the panel to the right and insert the left side of it (pic. 2).
- Note:** the control panel must be attached into the T-Joint.
3. Press the top side of the panel until a “click” sound is heard (pic. 3).



Pic. 1



Pic. 2



Pic. 3

Detaching the front panel

1. Press the REL button on the front panel. The panel will go down.
2. Push the panel to the right and pull it towards you.

Caution:

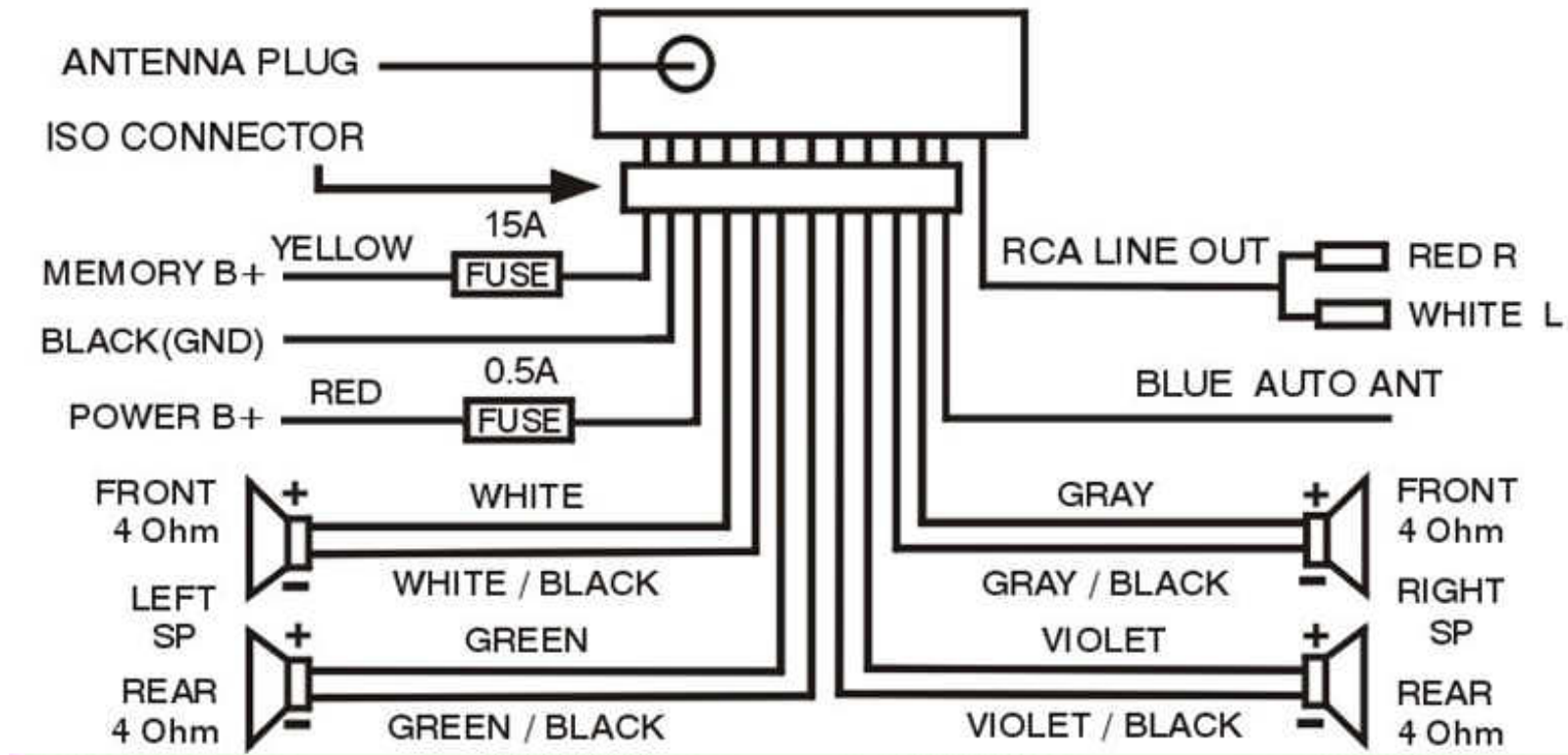
The control panel can easily be damaged by shocks. After removing it, place it in a protective case and be careful not to drop it or subject it to strong shocks.

The rear connector that connects the main unit and the control panel is an extremely important part. Be careful not to damage it by pressing on it with fingernails, pens, screwdrivers, etc.

Note:

If the control panel is dirty, wipe off the dirt with soft, dry cloth only. And use a cotton swab soaked in isopropyl alcohol to clean the socket on the back of the control panel.

Connection scheme

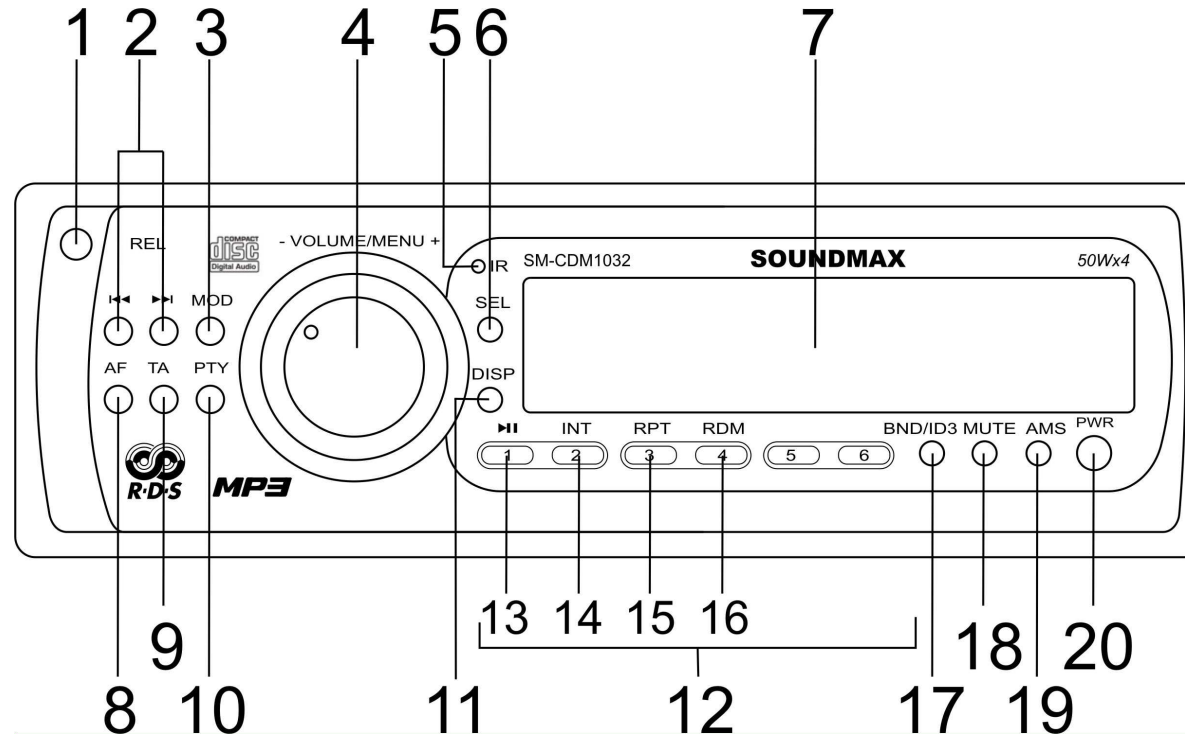


Notes:

- In spite of having any kinds of speaker system, must use 4 ohms impedance of speaker to reduce the distortion during high volume level.
- Prohibit to make the conductors of auto antenna and ground touch with each other.

Panel controls

Front panel



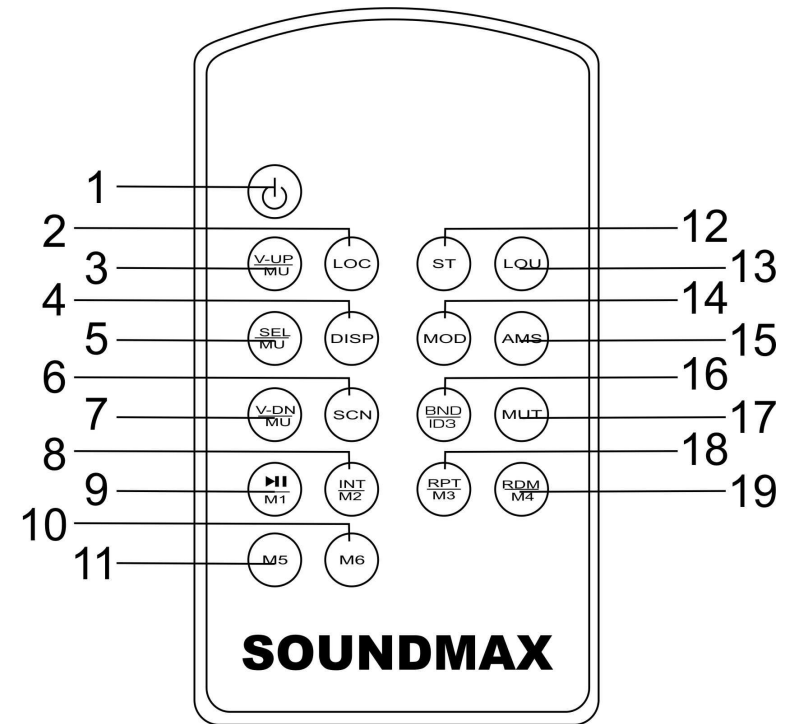
1. REL BUTTON
Press it to flip down the front panel to insert or eject the disc.
2. ◀/▶ BUTTONS
During playback press the ◀/▶ buttons to go to previous/ next track. Press and hold for 2 seconds to start fast backward/ forward playback.

In RADIO mode press the ◀/▶ buttons to search the station manually. Press and hold for 2 seconds to start automatic station searching.
3. MOD BUTTON
Press it to select the mode: RADIO => CD.
4. VOLUME/MENU KNOB
Rotate VOLUME/MENU knob clockwise to increase the volume level; rotate anticlockwise to

- decrease the volume level.
5. INFRA RED SENSOR
 6. SEL BUTTON
Press SEL button repeatedly to select the audio setting: VOL => BAS => TRE => BAL => FAD.
Press and hold for 2 seconds to select the setting: TA SEEK => MASK DPI => RETUNE L => DSP => LOUD ON => ESP 12 => MULTI OFF => BEEP OFF => SEEK 1 => STEREO => DX.
Rotate the VOLUME/MENU knob to adjust each mode.
In CD mode press it during Search mode.
 7. LCD (LIQUID CRYSTAL DISPLAY)
 8. AF BUTTON
Press it to activate the AF function.
 9. TA BUTTON
Press it to activate the TA function.
 10. PTY BUTTON
Press it to activate the PTY function.
 11. DISP BUTTON
Press it to show the information on the display.
 12. PRESET STATION [1-6] BUTTONS
 13. PLAY/ PAUSE BUTTON
 14. INT BUTTON (INTRO)
 15. RPT BUTTON (REPEAT)
 16. RDM BUTTON (RANDOM)
 17. BND/ID3 BUTTON
In Radio mode press it to select the band.
In CD mode press it to show the artist name and track name.
 18. MUTE BUTTON
Press it to turn the sound off.
 19. AMS BUTTON
In RADIO mode press it to start preset stations scanning.
Press it and hold for 2 seconds, the automatic stations searching and saving will start.
In CD mode press it and hold for 2 seconds to open the Track search window. Press twice to select the File search, press for three times to select the Character .
 20. PWR BUTTON
Press it to turn the power on. Press and hold for 2 seconds to turn the power off.

Remote control

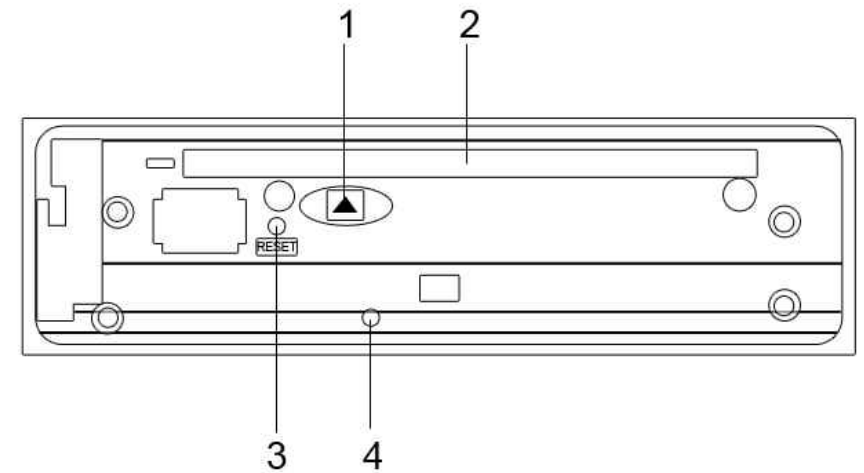
1. PWR BUTTON
2. LOC BUTTON
3. V-UP/MU BUTTON
4. DISP BUTTON
5. SEL/MU BUTTON
6. SCN BUTTON
7. V-DN/MU BUTTON
8. INT/M2 BUTTON
9. PLAY/PAUSE/M1 BUTTON
10. M6 BUTTON
11. M5 BUTTON
12. ST BUTTON
13. LOU BUTTON
14. MOD BUTTON
15. AMS BUTTON
16. BND/ID3 BUTTON
17. MUT BUTTON
18. RPT/M3 BUTTON
19. RDM/M4 BUTTON



Inner panel

Press the REL button on the front panel to flip it down.

1. EJECT BUTTON
2. DISC SLOT
3. RESET BUTTON
4. LED INDICATOR



General operations

Reset the unit

Operating the unit for the first time or after replacing the car battery, you must reset the unit. Press REL button, then press the RESET button to restore the unit to the original factory settings.

Power button

Press the PWR button to switch the unit on. Press it and hold for 2 seconds to switch the unit off.

Note: After the unit is off, volume level and radio current settings will be memorized, and when you turn the unit on it will resume the stored status you set.

Volume control

Rotate VOLUME/MENU knob clockwise to increase the volume level; rotate anticlockwise to decrease the volume level.

OR press the V-UP/V-DN buttons on the RC to adjust the volume level.

Audio settings adjustment

Press SEL button shortly and repeatedly to select the mode: VOL => BAS => TRE => BAL => FAD. Rotate the VOL knob to adjust each mode.

NOTE: Adjustments to Bass and Treble will override any preset EQ (Preset Equalizer Curves).

In each mode, the waiting time is about 5 seconds, and the waiting time is over, it returns to the last display mode of radio or disc playback mode.

Mode selection

Press the MOD button to select the mode: RADIO => CD.

Mute function

Press the MUTE button to cancel the sound. Press again to resume.

Clock display

Press the DISP button to show the clock on the display.

Radio operations

Note: RDS (Radio Data System) service availability varies with areas. Please understand if RDS service is not available in you area, the following service is not available, either.

BAND selection

Press the BND/ID3 button repeatedly to select your desired radio band during RADIO mode: FM1, FM2, FM3, AM1, AM2.

Auto/ Manual tuning

- Manual tuning: Press the ◀/▶ buttons shortly to select a station downward or upward step by step.
- Automatic tuning: Press the ◀/▶ buttons and hold for 2 seconds, the automatic search downward or upward will start. It will play when finds the station.

Programming tuner stations

You can store up to a total of 30 radio stations in the memory (18 FM, 12 AM), manually or automatically.

- To store a station:
 - Select a band (if needed).
 - Select a station.
 - Hold a Preset button (1-6) which you want store the station for at least 2 seconds.
- To recall a station:
 - Select a band (if needed).
 - Press a Preset button (1-6) briefly to recall the stored station.

Preset scan

Select a band. Press AMS button to scan all preset stations in the memory of the current band and stay on each memory station for about 7 seconds. To stop preset scan, press it again.

Auto memory store

Select a band. Press AMS button and hold for 2 seconds to enter auto store mode. The radio will automatically store 6 stations to the 6 preset memories of the current band. To stop auto store, press it again.

Radio functions setting

Press and hold for 2 seconds the SEL button to select the setting: TA SEEK => MASK DPI => RETUNE L => DSP => LOUD ON => ESP 12 => MULTI OFF => BEEP OFF => SEEK 1 => STEREO => DX.

Rotate the VOLUME/MENU knob to adjust each setting.

a. TA (Traffic Announcement) mode

To determine what action will the radio take if the newly tuned station does not receive TP (Transport Program) information for 5 seconds.

There are 2 modes: TA ALARM and TA SEEK.

- TA SEEK

During searching the radio retunes to a different station, which contains TP information.

- TA ALARM

During searching the radio does not retune but beeps will come out.

b. Mask mode

"PI" is referred to "Different PI (Program Information) with same AF (Alternative Frequency)".

During AF search, PI stations and non-RDS (Radio Data Station) stations with strong signal will be masked, in the latter case, the non-RDS stations may cause interference, resulting the real AF to be masked due to the misjudgment of the radio under interference.

- MASK DPI

To mask only the AF with different PI.

- MASK ALL

To mask both PI and strong signal non-RDS station.

c. Retune L, retune S

To determine the initial time of automatic TA (Traffic Announcement) search.

There are 2 modes: RETUNE L and RETUNE S.

- RETUNE L: 180 seconds.

- RETUNE S: 45 seconds.

d. DSP

Select the equalizer: POP, ROCK, CLASSIC, FLAT, OFF.

- e. Loud mode
Use this mode (or press the LOU button on the RC) to increase bass output.
- f. ESP mode (Electronic Shock Protection)
You can select the second of ESP as follow:
 - ESP 12 second: for normal road condition.
 - ESP 45 second: for road condition extremely unusual.
- g. Beep mode
There are 2 modes: BEEP ON and BEEP OFF.
 - BEEP OFF: disable audible beep tone when any function is accessed.
 - BEEP ON: enable audible beep tone.
- h. Seek mode (Seek 1/ Seek 2)
You can choose from Seek tuning mode 1 and mode 2 by using Volume control.
While the desired Seek tuning mode is selected, the following operations can be performed:
 - SEEK1: Press the Tuning up/ down button briefly to increase or decrease the frequency by 1 step size. Press and hold the Tuning up/ down button to seek the band in up or down direction and stop when a station is received.
 - SEEK2: Press the Tuning up/ down button briefly to increase or decrease the frequency by 1 step size. Press and hold the Tuning up/ down button increase or decrease the frequency rapidly until the button is released, the different between the same operation at Seek 1 mode is that this time the radio will not stop at any station.
- i. Stereo mode
Use this mode (or press the ST button on the RC) to select stereo or mono reception for FM radio stations. You can sometimes improve reception of distant stations by selecting mono mode.
- j. DX mode
Use this mode (or press the LOC button on the RC) to change between Local and Distant (DX) tuning mode. Local mode improves reception in some areas where the signal is too strong.

TA (Traffic Announcement) function

Press the TA button shortly to turn on or turn off the TA function.

When TA is enabled (on), the tuner starts searching the traffic announcement. When it finds it starts broadcasting with volume not less than 20.

AF (Alternative Frequencies) function

Press the AF button on to turn on or turn off the AF function. If the AF function is on the display will show "AF".

The RDS program will be automatically searched and received. If the RDS signal is weak or even no signal, the unit will search another frequency with this RDS program.

Default setting is ON.

Region function

Press the AF button and hold for 2 seconds to switch the regional function ON or OFF.

PTY (Program Type) function

1. Press PTY button to select the program type group: MUSIC GROUP => SPEECH GROUP => PTY OFF.
2. When the program type is selected press the digit buttons (1~6/ M1~M6) repeatedly to select the program type according to the table:

Preset number	PTY MUSIC group
1	POP M, ROCK M
2	EAST M, LIGHT M
3	CLASSICS, OTHER M
4	JAZZ M, COUNTRY M
5	NATION M, OLDIES M
6	FOLK M

Preset number	PTY SPEECH group
1	NEWS, AFFAIRS, INFO
2	SPORT, EDUCATE, DRAMA
3	CULTURE, SCIENCE, VARIED
4	WEATHER, FINANCE, CHILDREN
5	SOCIAL, RELIGION, PHONE IN
6	TRAVEL, LEISURE, DOCUMENT

3. Searching will start.
4. Press PTY button again to switch the PTY function off.

CD/MP3 operations

Discs for playback

This unit can play disc types: CD/CD-R/-RW.
Compatible with formats: MP3/WMA.

Loading/ eject a disc

- Press the REL button on the panel. Insert the disc with the printed side facing upward into the slot.
- Press EJECT button on the inner side to eject the disc.

Playing/ pausing playback

- Press the PLAY/PAUSE button to start playback.
To ensure good system performance, wait until the unit finishes reading the disc information before proceeding.
- Press the PLAY/PAUSE button to pause the playback. Press again to resume the playback.

Playing the previous/ next track

During playback press the «/» buttons to play the previous/ next track.

Fast forward and backward playback

Press and hold the «/» buttons to fast the playing in backward or forward direction.
Release the button when the desired location is found.

Repeat playback

During disc playback, press the RPT button shortly to repeat the current track playback. Press again to cancel.

Random playback

During disc playback, press the RDM button to start random playback of the tracks. Press again to cancel.

Intro playback

You can play the beginning of every track for 10 seconds in sequence. Press the INT button to start intro play. Press again to cancel.

Track number searching

To find the track number:

1. Press the AMS button to open the Track search window.
2. Press SEL button, the LCD will show 000.
3. Rotate the VOLUME/MENU knob clockwise to increase the track number 1 by 1 starting from the first track number. Rotate anticlockwise to decrease the track number 1 by 1 starting from the last track number.
OR If you want to set each figure when the display shows 000 rotate the VOLUME/MENU knob to set the last figure; press SEL, the second figure will start blinking, rotate the VOLUME/MENU knob to set it; press SEL, the first figure will start blinking, rotate the VOLUME/MENU knob to set it.
4. Press the SEL button and wait for 3 seconds to start the desired track playback.

File searching

To find the file in the folder:

1. Press the AMS button twice to enter the file search window.
2. Press SEL button. "A" directory will be displayed.
3. Rotate the VOLUME/MENU knob to select another directory.
4. Press the SEL button to enter it. The display will show the first track in this folder.
5. Rotate the VOLUME/MENU knob to select the track.
6. Press the SEL button to start its playback.

File character searching

To find the file name:

1. Press the AMS button three times to enter the file character search window.
2. Press SEL button. The first character "A" will start blinking.
3. Rotate the VOLUME/MENU knob to set the first character or figure.
4. Press SEL button. The second character "A" will start blinking.
5. Repeat 3-4 steps to insert the desired word.
6. Press the SEL button to start its playback.

MP3 overview

Notes on MP3

- MP3 is short for MPEG Audio Layer 3 and refers to an audio compression technology standard.
- This product allows playback of MP3 files on CD-ROM, CD-R or CD-RW discs.
- The unit can read MP3 files written in the format compliant with ISO 9660. However it does not support the MP3 data written by the method of packet write.
- The unit can not read an MP3 file that has a file extension other than “.mp3”.
- If you play a non- MP3 file that has the “.mp3” extension, you may hear some noise.
- In this manual, we refer to what are called “MP3 file” and “folder” in PC terminology as “track” and “album”, respectively.
- Maximum number of directory level is 8, including the root directory. Maximum number of files and folders per disc is 256.
- The unit may not play tracks in the order of Track numbers.
- The unit plays only the audio tracks if a disc contains both audio tracks and MP3 files.
- When playing a disc of 8 kbps or “VBR”, the elapsed playing time in the display window will not be correct and also the intro play may not function properly. “VBR”: Variable Bit Rate.

Notes on creating your own CD-Rs or CD-RWs containing MP3 files

- To enjoy high quality sound, we recommend converting to MP3 files with a sampling frequency of 44.1 kHz and a fixed bit rate of 128 kbps.
- DO NOT store more than 256 MP3 files per disc.
- For ISO 9660 - compliant format, the maximum allowable depth of nested folders is 8, including the root directory (folder).
- When CD-R disc is used, playback is possible only for discs, which have been finalized.
- Make sure that when MP3 CD-R or CD-RW is burned that it is formatted as a data disc and NOT as an audio disc.
- You should not write non-MP3 files or unneeded folders along with MP3 files on the disc otherwise it takes a long time until the unit starts to play MP3 files.
- With some CD-R or CD-RW media, data may not be properly written depending on their manufacturing quality. In this case, data may not be reproduced correctly. High quality CD-R or CD-RW disc is recommended.
- Up to 16 characters are displayed for the name of an Album or a Track. ID3TAG version 1.x is required.

- Note that the unit may not play Tracks in the order that you wrote them to the disc.

Anti-theft system

This unit is equipped with a slide-down detachable and mask panel. Panel can be detached and taken with you, helping to deter theft.

Detaching the front panel

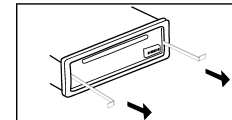
1. Press and hold for 2 seconds the PWR button to turn the power off.
2. Press the REL button on the front panel. The panel will go down.
3. Push the panel to the right and pull it towards you.
4. Place the panel into the case and take it with you when you leave the car.

Attaching the control panel

1. Insert the right side of the control panel into the shaft of the main unit.
- Note:** the control panel must be attached into the T-Joint.
2. Push the panel to the right and insert the left side.
 3. Press the top side of the panel until a "click" sound is heard.

Remove the unit

1. Remove the panel and the trim plate.
2. Insert both T-Keys into hole in front of the set until they lock.
3. Pull out the unit (pic. 1).



Pic. 1

Handling compact discs

Dirty, scratched or warped discs may cause skip ping or noise.

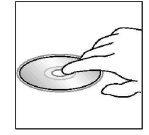
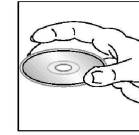
Handle the disc only by the edges. To keep clean do not touch its surface.

Discs should be stored in their cases after use to avoid scratches.

Do not expose discs to direct sunlight, high humidity, high temperature or dust.

Prolonged exposure to extreme temperature can warp the disc (such as leaving the discs in your car during summertime).

Do not stick or write anything on either side of disc. Sharp writing instruments, or the inks used in some felt-tip pens, may damage its surface.



DO NOT touch the unlabeled side. DO NOT attach any seal, label or data protection sheet to either side of a disc.

This unit cannot play 3-inch (8cm) CDs.

Never insert a 3-inch CD contained in the adapter or an irregularly shaped CD. The unit may not be able to eject it, resulting in a malfunction.

Cleaning

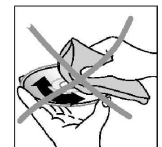
1. Cleaning the cabinet

Wipe with a soft cloth. If the cabinet is very dampen (not dropping wet) the cloth with a weak solution of soapy water, and then wipe clean.

2. Cleaning discs

Fingerprints should be carefully wiped from the surface of disc with a soft cloth. Unlike conventional records, compact discs have no grooves to collect dust and macroscopic dirt, so gently wiping them with a soft cloth should remove most particles. Wipe in a straight motion from the center to the edge.

Never use thinner benzene, record cleaner or anti static spray on a compact disc. Such chemicals can damage its plastic surface.



Troubleshooting guide

Symptom	Cause	Solution
General No power	The car ignition is not on. The fuse is blown.	If the power supply is properly connected to the car accessory switch the ignition key to " ACC ". Replace the fuse.
Disc Disc cannot be loaded.	Presence of CD disc inside the player.	Remove the disc in the player then put a new upward.
Disc cannot be read.	Inserting the disc in upside down. Compact disc is extremely dirty or defective. Temperature inside the car is too high.	Insert the compact disc with the label facing upward. Clean the disc or try to play a new one. Cool off until the ambient temperature returns to normal.
No sound	Volume is in minimum. Wiring is not properly connected.	Adjust volume to a desired level. Check wiring connection.
The operation keys do not work.	The built-in microcomputer is not operating properly due to noise. Front panel is not properly fix into its place.	Press the RESET button. Reinstall the front panel.
Sound skips.	The installation angle is more than 30 degrees. The disc is extremely dirty or defective.	Adjust the installation angle to less than 30 degrees. Clean the compact disc/try to play a new one.
The radio does not work, the radio station automatic selection does not work.	The antenna cable is not connected the signals are too weak.	Insert the antenna cable firmly select a station manually.

Specification

General	
Power supply	12 V DC
Current consumption	max. 15 A
Maximum power output	50 W x 4 channels
Fuse	15 A
Dimensions (L x W x H)	178 x 165 x 50 mm
FM stereo radio	
Frequency range	87.5 - 108.0 MHz
Usable sensitivity	3 uV
MW Section	
Frequency range	522 kHz-1620 kHz
Usable sensitivity	32 dB
Disc player	
System:	Compact disc audio system
Usable disc:	MP3/ CD-R/ CD-RW
Frequency characteristics:	20 Hz - 20 kHz \pm 5 dB
Signal to noise CD:	68 dB
Number of channels:	2 stereo
Line out	
Output:	CD max 2000 mV

Specifications are subject to change without notice. Mass and dimension are approximate.

Уважаемый покупатель!

Благодарим Вас за покупку нашего изделия. Для обеспечения безопасности рекомендуется тщательно изучить настоящее руководство перед подключением, эксплуатацией и/или регулировкой изделия, и сохраняйте руководство для использования в будущем.

Содержание

Содержание	23
Меры предосторожности	24
Установка/ подключение	25
Органы управления	29
Основные функции	33
Функции радио	34
Воспроизведение файлов с CD дисков	39
Обзор MP3	41
Система защиты от кражи	42
Обращение с компакт-дисками	43
Чистка и уход	43
Руководство по устранению неисправностей	43
Руководство по устранению неисправностей	44
Технические характеристики	45

Меры предосторожности

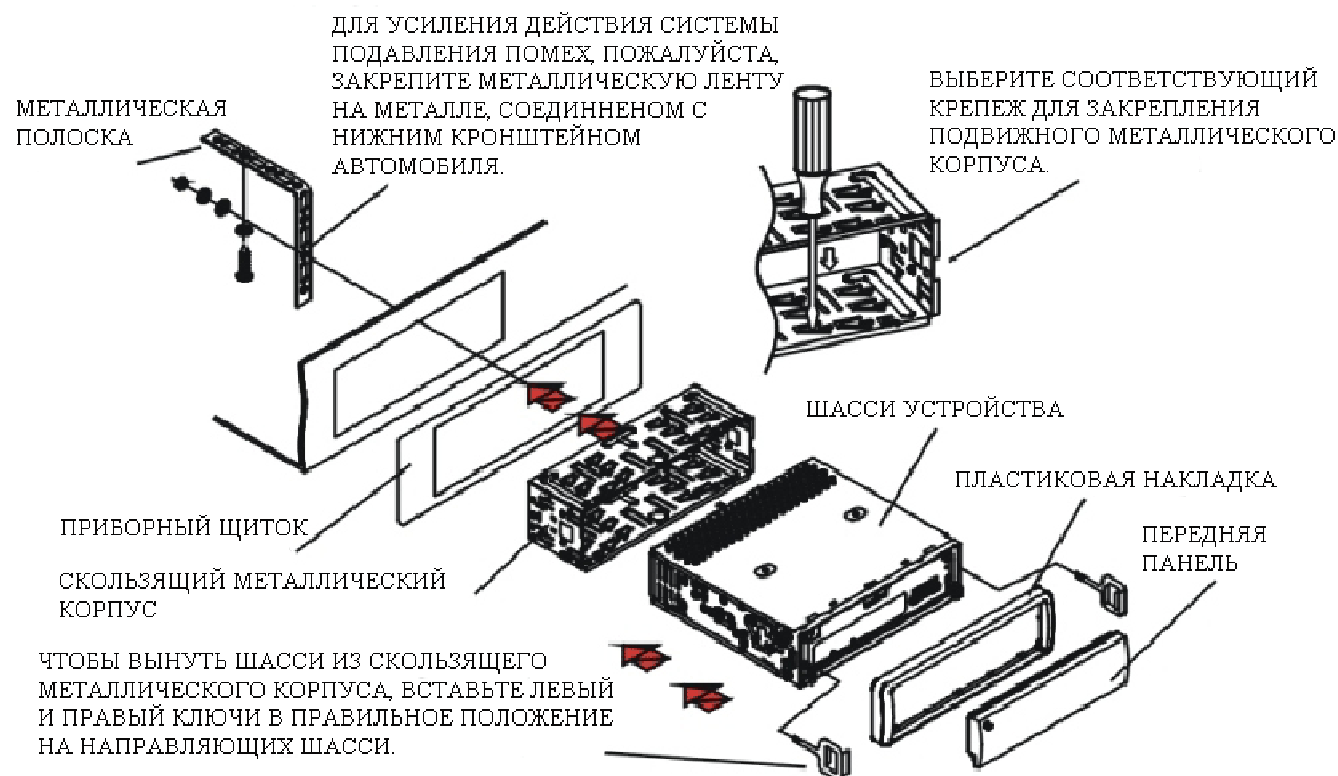
- Тщательно изучите настоящую инструкцию, чтобы ознакомиться с высококачественной аудиосистемой.
- При установке и подключении изделия отключите отрицательную клемму аккумулятора автомобиля.
- При замене предохранителя, убедитесь, что вы устанавливаете предохранитель с тем же номиналом. Используя предохранитель с повышенным значением тока, можно причинить значительные повреждения изделию.
- Не пытайтесь разбирать изделие. Лазерные лучи, исходящие из блока оптической головки считывания информации с компакт-диска, опасны для глаз.
- Убедитесь, что шпильки или другие посторонние предметы не попали внутрь изделия. Они могут вызвать сбой в работе или стать причиной опасности, такой как поражение электрическим током или лазерным лучом.
- Если вы ставите автомобиль на стоянку на длительное время в жаркое или холодное время года, подождите пока температура в автомобиле не станет нормальной, перед тем как включать изделие.
- НЕ открывайте крышки и не проводите ремонт самостоятельно. Обратитесь к дилеру или квалифицированному персоналу
- Убедитесь, вы отключаете источник питания и антенну, если вы не будете пользоваться системой в течение длительного времени или во время грозы.
- Убедитесь, что вы отключаете источник питания, если обнаружена неправильная работа системы, система издает необычные звуки, запах, выделяет дым или внутрь ее попала жидкость. Проведите квалифицированный технический осмотр системы.
- Прибор разработан так, чтобы отрицательный вывод аккумулятора был подключен к корпусу транспортного средства. Пожалуйста, убедитесь в этом перед установкой.
- Не позволяйте проводам динамиков касаться друг друга при включении прибора. В противном случае, может быть перегружен или выйти из строя усилитель питания.
- Не устанавливайте съемную панель перед подключением кабеля.

Установка/ подключение

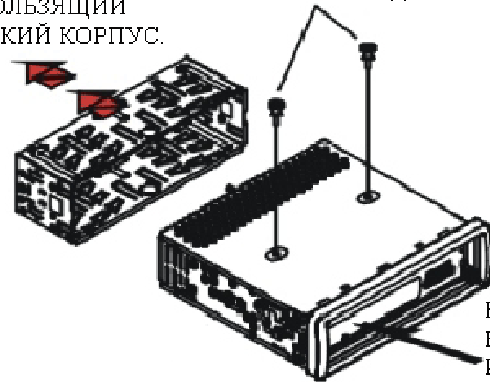
Сначала проведите электрические подключения, затем проверьте их правильность.

Способ установки

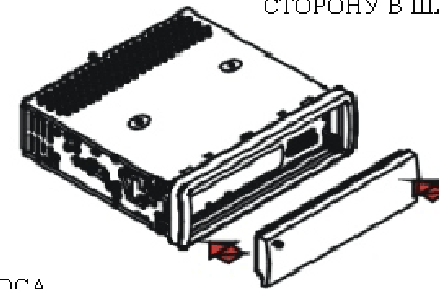
Шасси имеет корпус с металлическими направляющими. Пожалуйста, проведите соединение проводов источника питания, динамиков и антенны в соответствии с требованиями инструкции. Затем вставьте металлический корпус с направляющими в автомобиль в соответствии с приведенной схемой.



УДАЛИТЕ СКОЛЬЗЯЩИЙ
МЕТАЛЛИЧЕСКИЙ КОРПУС.

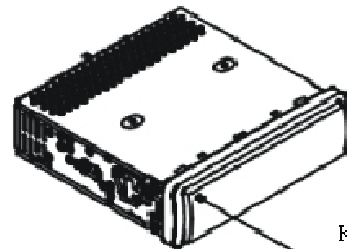


ВЫВЕРНИТЕ 2 ВИНТА ДЛЯ ЗАЩИТЫ
ПЛЕЕРА ПЕРЕД ЕГО ЭКСПЛУАТАЦИЕЙ.



ДЛЯ УСТАНОВКИ ПЕРЕДНЕЙ ПАНЕЛИ
ОБРАТНО В ШАССИ УСТРОЙСТВА,
СНАЧАЛА ВСТАВЬТЕ ПРАВУЮ СТОРОНУ,
ЕСЛИ ЗАДНЯЯ СТОРОНА УСТАНОВЛЕНА
ПРАВИЛЬНО, ЗАТЕМ ВТОЛКНИТЕ ЛЕВУЮ
СТОРОНУ В ШАССИ.

КНОПКА СБРОСА
НАЖМИТЕ КНОПКУ СБРОСА, ЧТОБЫ ВОССТАНОВИТЬ
ИЗМЕННЕННОЕ ПРОГРАММИРОВАНИЕ, ЕСЛИ ИНФОРМАЦИЯ НА
ЭКРАНЕ ПРЕДСТАВЛЯЕТСЯ НЕНАДЛЕЖАЩИМ ОБРАЗОМ И
НЕКОТОРЫЕ КНОПКИ НЕРАБОТОСПОСОБНЫ.



КНОПКА ОТКРЫВАНИЯ

ЧТОБЫ ВСТАВИТЬ ДИСК В ОТСЕК ИЛИ ВЫНУТЬ ЕГО, ИЛИ СНЯТЬ ПЕРЕДНЮЮ
ПАНЕЛЬ С ШАССИ, НАЖМИТЕ КНОПКУ ОТКРЫВАНИЯ ДЛЯ СБРОСА ПЕРЕДНЕЙ
ПАНЕЛИ.

Подсоединение съемной панели

1. Держите панель так, чтобы ее лицевая сторона была направлена на Вас, и установите правую нижнюю часть (А) в кронштейн (В) (рис. 1).
2. Нажмите на панель вправо (рис. 2), установите левую нижнюю часть магнитолы.
2. Поднимите панель. Нажмите на верхнюю часть панели, чтобы она защелкнулась (рис. 3).

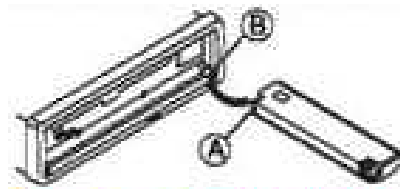


Рис. 1

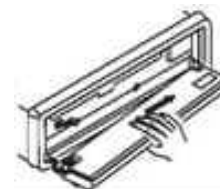


Рис. 2



Рис. 3

Снятие съемной панели

1. Нажмите на кнопку REL на панели. Панель опустится вниз.
2. Сдвиньте панель в правую сторону и вытяните ее на себя.

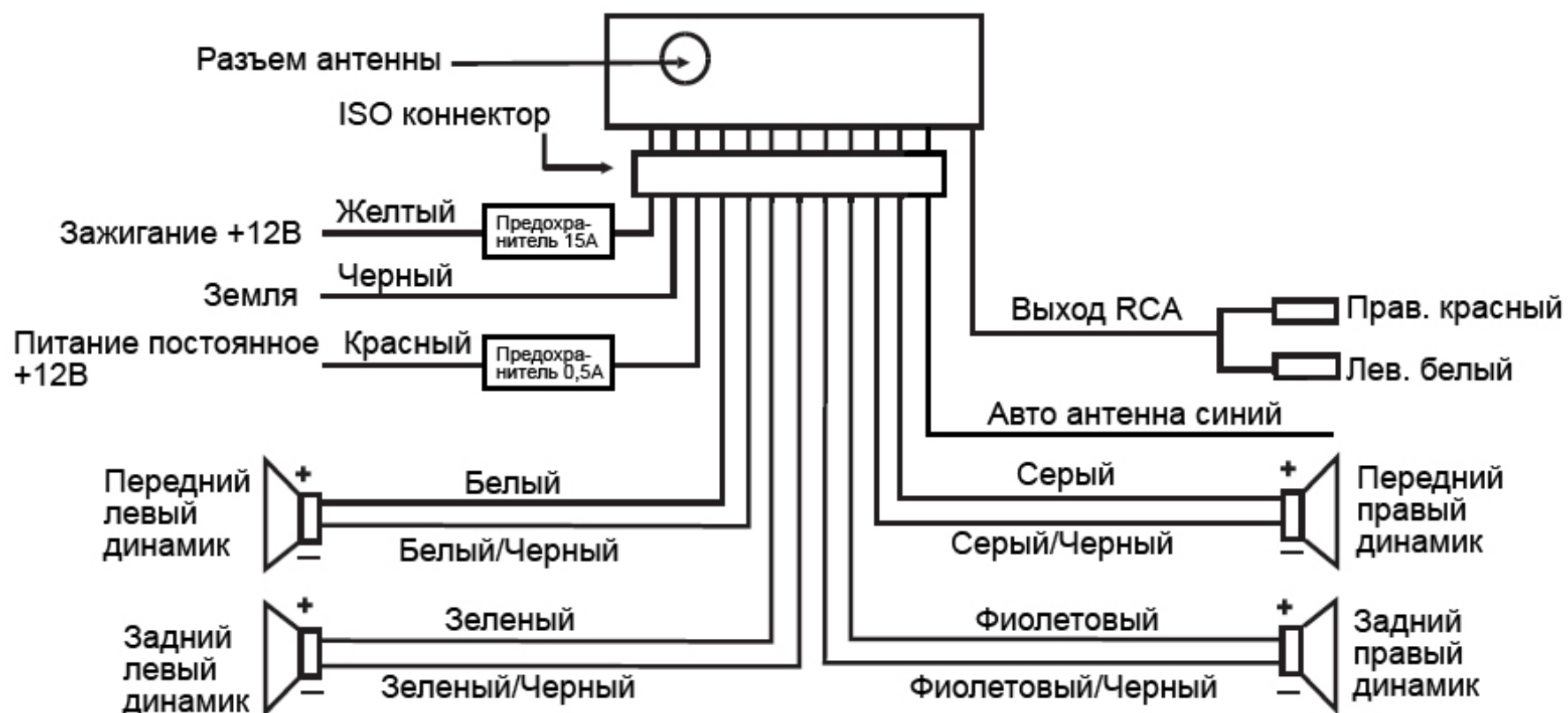
Внимание:

Панель может повредиться из-за внешних факторов: тряски, ударов. После снятия ее с устройства держите панель в защитном футляре и старайтесь не ронять и не наносить физических повреждений. Очень важным элементом является коннектор на задней части панели. Не нажимайте на нее ногтями, ручками, отвертками.

Примечание:

Если панель загрязнилась или запылилась, протрите ее сухой чистой тканью. Для чистки разъема в задней части панели используйте тампон, смоченный техническим спиртом.

Схема подключения

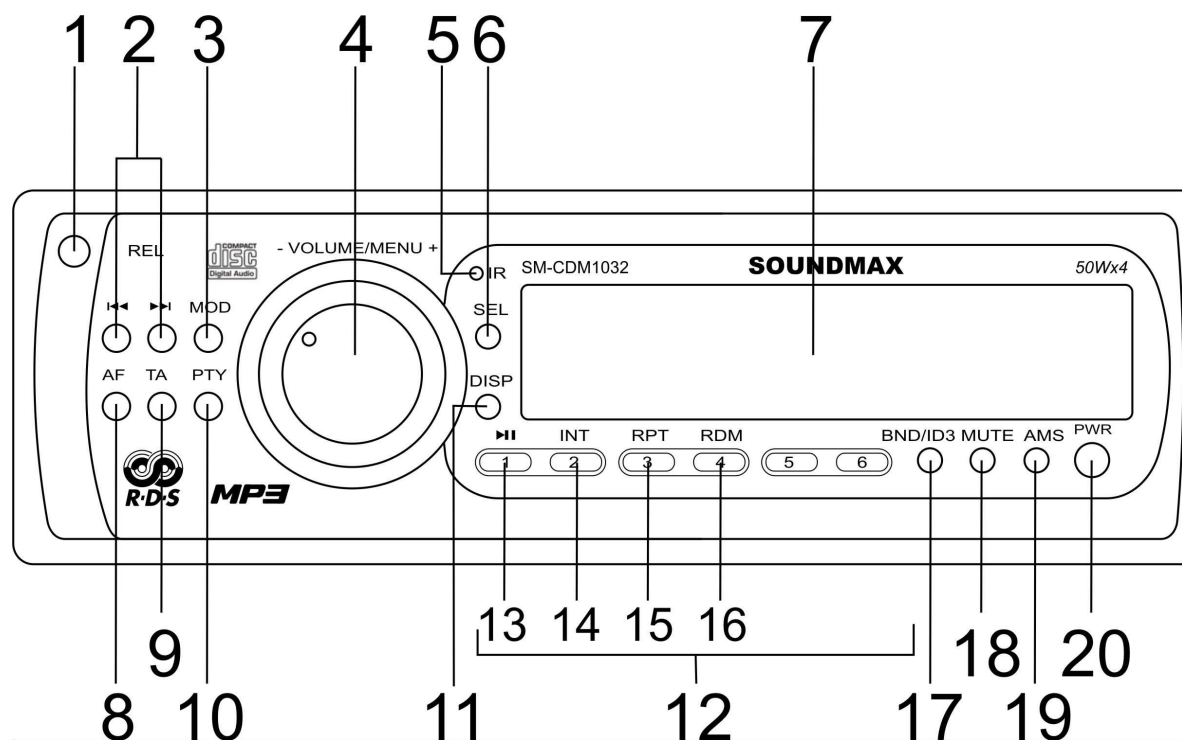


Примечания:

- Независимо от вида динамиков, следует использовать динамики с сопротивлением, равным 4 Ом для уменьшения искажений при повышенной громкости.
- Запрещается соединять провода авто антенны и заземления между собой.

Органы управления

Передняя панель



1. КНОПКА REL

Нажмите ее, чтобы откинуть переднюю панель и иметь возможность вставить диск в специальный слот или нажать на кнопку EJECT для извлечения диска.

2. КНОПКИ «/»

Во время воспроизведения нажмите на кнопку «/», чтобы перейти к предыдущему/ следующему треку. Нажмите и удерживайте в течение 2 секунд кнопку «/», чтобы начать ускоренное воспроизведение треков.

В режиме RADIO (Радио) нажмите на кнопку «/», чтобы вручную настроить радио станции.

Нажмите и удерживайте в течение 2 секунд кнопку «/», чтобы начать автоматический поиск радио станций.

3. КНОПКА MOD
Нажимайте на кнопку MOD, чтобы выбрать режим: RADIO => CD.
4. РЕГУЛЯТОР ГРОМКОСТИ VOLUME/MENU
Вращайте регулятор громкости по часовой стрелке, чтобы увеличить уровень громкости. Вращайте против часовой стрелки, чтобы понизить уровень громкости.
5. ИК ПОРТ
6. КНОПКА SEL
Нажмите на кнопку SEL, чтобы выбрать режим: VOL => BAS => TRE => BAL => FAD.
Нажмите и удерживайте в течение 2 секунд кнопку SEL, чтобы выбрать режим: TA SEEK => MASK
DPI => RETUNE L => DSP => LOUD ON => ESP 12 => MULTI OFF => BEEP OFF => SEEK 1 =>
STEREO => DX.
Вращайте регулятор громкости, чтобы отрегулировать каждую настройку.
7. ЖИДКОКРИСТАЛЛИЧЕСКИЙ ДИСПЛЕЙ
8. КНОПКА AF
Нажмите на кнопку, чтобы активировать/ деактивировать функцию AF.
9. КНОПКА TA
Нажмите на кнопку, чтобы активировать/ деактивировать функцию TA.
10. КНОПКА PTY
Нажмите на кнопку, чтобы активировать/ деактивировать функцию PTY.
11. КНОПКА DISP
Нажмите на кнопку, чтобы отобразить на дисплее время.
12. КНОПКИ ПРЕДВАРИТЕЛЬНО УСТАНОВЛЕННЫХ СТАНЦИЙ (1-6)
13. Кнопка PLAY/PAUSE (воспроизведение/пауза)
14. Кнопка INT (воспроизведение первых 10 секунд каждого трека)
15. Кнопка RPT (повтор)
16. Кнопка RDM (случайное воспроизведение)
17. Кнопка BND/ID3
В режиме RADIO (Радио) нажимайте на эту кнопку, чтобы выбрать диапазон.
В режиме CD нажимайте на эту кнопку, чтобы отобразить название трека и исполнителя на дисплее.
18. Кнопка MUTE
Нажмите на кнопку MUTE, чтобы выключить звук.

19. Кнопка AMS

В режиме RADIO (Радио) нажмите на эту кнопку для сканирования предварительно установленных станций 1 – 6 в течение 5 секунд каждую. Нажмите и удерживайте в течение 2 секунд, чтобы включить функцию авто сохранения станций.

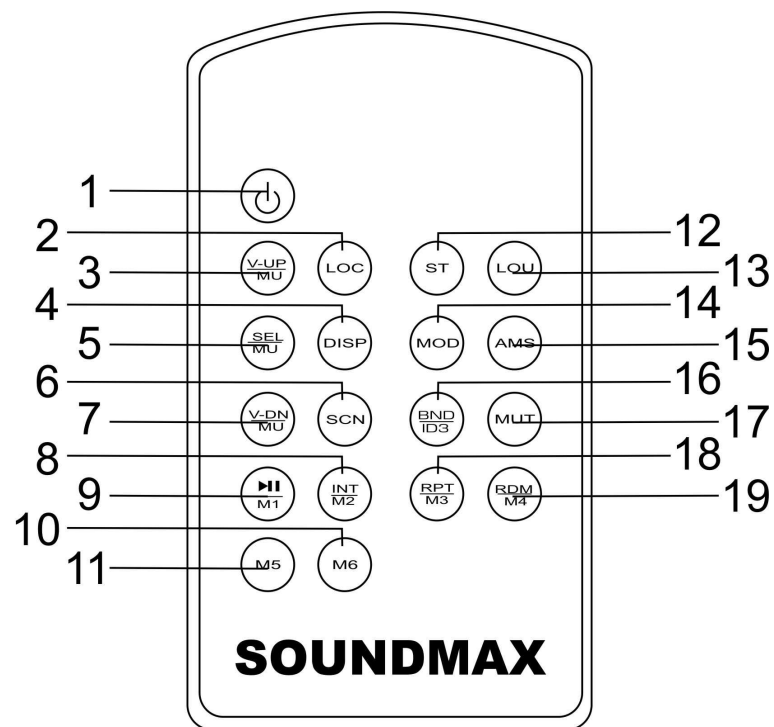
В режиме CD нажмите и удерживайте в течение 2 секунд, чтобы войти в меню поиска трека по номеру. Нажмите дважды, чтобы войти в меню поиска файлов. Нажмите трижды, чтобы войти в меню поиска трека по названию.

20. КНОПКА PWR

Нажмите на эту кнопку, чтобы включить устройство. Нажмите и удерживайте в течение 2 секунд для выключения его.

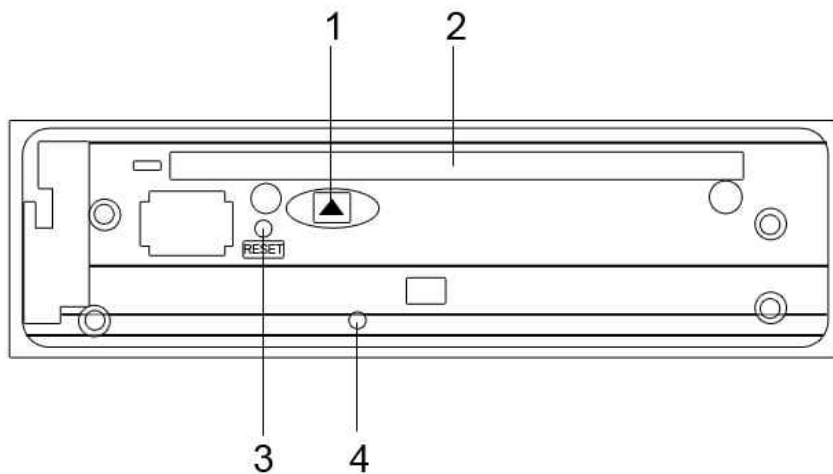
Пульт дистанционного управления

1. Кнопка PWR
2. Кнопка LOC
3. Кнопка V-UP/MU
4. Кнопка DISP
5. Кнопка SEL/MU
6. Кнопка SCN
7. Кнопка V-DN/MU
8. Кнопка INT/M2
9. Кнопка PLAY/PAUSE/M1
10. Кнопка M6
11. Кнопка M5
12. Кнопка ST
13. Кнопка LOU
14. Кнопка MOD
15. Кнопка AMS
16. Кнопка BND/ID3
17. Кнопка MUT
18. Кнопка RPT/M3
19. Кнопка RDM/M4



Внутренняя панель

Нажмите на кнопку REL, чтобы откинуть переднюю панель.



1. Кнопка EJECT
2. Слот для дисков
3. Кнопка RESET
4. LED индикатор

Основные функции

Кнопка RESET (сброс)

Нажмите на панели на кнопку REL. Панель откроется. Нажмите на кнопку сброса RESET, расположенную за передней панели. Эта мера необходима в следующих ситуациях: исходная установка устройства после подключения, никакие кнопки не действуют, на дисплее появляются символы ошибок.

Кнопка включения

Нажмите на кнопку PWR, чтобы включить устройство. Нажмите и удерживайте в течение 2 секунд, чтобы выключить питание.

Внимание: Когда Вы выключаете систему или зажигание автомобиля, громкость звука и радио настройки будут сохранены в памяти устройства, при включении установки вернуться к сохраненным.

Регулировка уровня громкости

Вращайте регулятор громкости VOLUME/MENU по часовой стрелке, чтобы увеличить уровень громкости.

Вращайте против часовой стрелки, чтобы понизить уровень громкости.

ИЛИ нажимайте на кнопку V-UP/V-DN на пульте ДУ, чтобы отрегулировать уровень громкости.

Регулировка аудио настроек

Нажмите на кнопку SEL, чтобы выбрать режим: VOL (громкость) => BAS (низкие частоты) => TRE

(высокие частоты) => BAL (баланс лев./ прав. динамики) => FAD (баланс зад./ перед. динамики).

Вращайте регулятор громкости, чтобы отрегулировать каждую настройку.

ВНИМАНИЕ: Настройки BASS и TREBLE аннулируют любую настройку эквалайзера.

Каждая настройка отображается на дисплее в течение 5 секунд. Если в течение этих 5 секунд ни одна кнопка не была нажата, дисплей вернется в обычный режим.

Выбор режима

Нажимайте на кнопку MOD, чтобы выбрать режим работы устройства: RADIO (радио) => CD (когда диск установлен в магнитоле).

Выключение звука

Нажмите на кнопку MUTE, чтобы выключить звук. Нажмите на кнопку еще раз, чтобы включить звук.

Отображение времени

Для отображения времени на дисплее нажмите на кнопку DISP.

Функции радио

Внимание: Сервис RDS (Система радио данных) доступен не во всех регионах. Имейте в виду, что если услуга RDS не доступна в Вашем регионе, то данная функция не будет работать.

Выбор диапазона

Нажимайте на кнопку BND/ID3, чтобы выбрать диапазон: FM1, FM2, FM3, AM1, AM2.

Ручной/ автоматический поиск радиостанций

- Ручной поиск: Нажимайте на кнопку «/», чтобы вручную увеличить или уменьшить частоту.
- Автоматический поиск: Нажмите и удерживайте кнопку «/», чтобы начать автоматический поиск. Поиск прекратится при приеме первой станции с сильным сигналом, при этом начнется ее воспроизведение. Нажмите еще раз, чтобы найти следующую станцию.

Сохранение и вызов радио станций

Вы можете хранить и воспроизводить 6 радио станций в каждом из 5 диапазонов.

- Чтобы сохранить станцию:
 - Выберите диапазон (если нужно).
 - Выберите станцию.
 - Нажмите и удерживайте в течение двух секунд кнопку с номером 1~6, под которым Вы бы хотели сохранить эту станцию.
- Чтобы вызвать станцию:
 - Выберите диапазон (если нужно).
 - Нажмите на кнопку с номером нужной сохраненной станции 1~6.

Функция автоматического сохранения станций в памяти

Нажмите и удерживайте кнопку AMS в течение 2 секунд, 6 самых сильных доступных станций будут автоматически сохранены в памяти кнопок 1~6. Чтобы остановить автоматическое сохранение, снова нажмите на кнопку.

Функция автоматического предпрослушивания станций

Нажмите на кнопку AMS, чтобы прослушать все сохраненные в текущем диапазоне станции в течение 5 секунд. Во время прослушивания номер каждой станции будет мигать на дисплее. Чтобы остановить прослушивание, снова нажмите на кнопку.

Регулировка установок тюнера

Нажмите и удерживайте в течение 2 секунд кнопку SEL, чтобы выбрать режим: TA SEEK => MASK
DPI => RETUNE L => DSP => LOUD ON => ESP 12 => MULTI OFF => BEEP OFF => SEEK 1 =>
STEREO => DX.

Вращайте регулятор громкости, чтобы отрегулировать каждую настройку.

а. Режим TA (программы о дорожном движении)

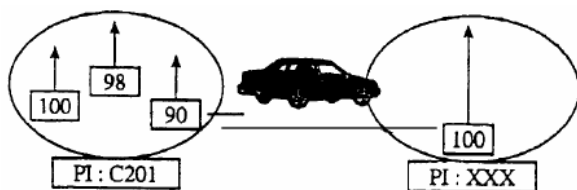
Некоторые FM-станции, поддерживающие RDS, периодически предоставляют информацию о дорожном движении.

Режимы TA SEEK и TA ALARM определяют поведение радиоприемника при включенном режиме TA, если отсутствует передача информации TP (программа движения) радиостанцией, на которую в данный момент настроен радио- приемник.

- **TA SEEK:** Если радиоприемник настраивается на радиостанцию, которая не передает информацию TP (Traffic Program – программы с информацией о дорожном движении) в течение нескольких секунд, радиоприемник перенастраивается на следующую станцию, которая не имеет тот же PI (код идентификации программы), что и предыдущая радиостанция, но передает информацию TP. Если информация TP исчезает и не передается текущей настроенной радиостанцией в течение некоторого времени, радиоприемник перенастраивается на следующую радиостанцию, имеющую тот же PI. Если радиостанция с тем же PI не найдена в течение одного цикла поиска, радиоприемник перенастраивается на следующую радиостанцию, передающую информацию TP.
- **TA ALARM:** Эта функция предназначена для передачи экстренных сообщений. При этом информация о дорожном движении будет игнорироваться.

б. Режим MASK

Когда для станции, например, C201 включен режим, разрешающий переключение на альтернативную частоту (AF), радиоприемник может переключиться на частоту 100 МГц, которая не является подлинной частотой AF, а занята другой радиостанцией с другим значением PI, но с той же AF.



Если автомобиль перемещается в критической зоне, может появиться эффект частого переключения между двумя разными радиостанциями, потому что может быть принят другой код PI на частоте 100 МГц с PI "XXX".

Радиоприемник CD-ресивера имеет специальную процедуру, направленную на снижение данного неизбежного эффекта, которая, однако, из-за определенных собственных ограничений в некоторых случаях не позволяет решить данную проблему.

Радиоприемник в таком случае прекращает искать альтернативную частоту AF в течение некоторого времени. В этой ситуации радиоприемник будет маскировать сигнал ошибочно принимаемой радиостанции, в зависимости от выбранной опции:

У функции есть 2 режима:

- MASK PI:
Маскирует только альтернативные частоты с разными информационными программами.
- MASK ALL:
Маскирует и информационные программы, и станции, не поддерживающие RDS.

в. Retune R, Retune S

Retune-S или Retune-L – это выбор временного интервала повторного поиска в режиме TA Seek.

- Retune-S: короткий, интервал поиска в режиме TA SEEK 45 секунд.
- Retune-L: длинный, интервал поиска в режиме TA SEEK 180 секунд.

Замечание: Режим Retune для режима TA активен только для TA Seek.

г. Режим DSP

Этот режим позволяет настраивать эквалайзер: POP, ROCK, CLASSIC, FLAT, Выкл.

д. Режим LOUD

В этом режиме (или нажимая на кнопку LOU на пульте ДУ) выберите функцию: LOUD ON/OFF.

е. Режим ESP (электронная система стабилизации)

Электронная система стабилизации необходима при движении по неровной дороге.

Вы можете выбрать количество секунд, необходимых для системы:

- ESP 12 секунд: для дороги с обычным покрытием.
- ESP 45 секунд: для экстремальных условий поездки.

ж. Режим BEEP

У этой функции есть 2 режима:

- BEEP ON: включает звуковые сигналы, когда заданная функция выполнена.
- BEEP OFF: выключает звуковые сигналы.

з. Функция поиска радио станции SEEK

Вы можете выбрать один из следующих режимов поиска:

- SEEK 1: Нажимайте на кнопки поиска радио станций (назад/ вперед), чтобы начать пошаговый поиск радио станций и остановиться в любой момент, когда Вам понадобится.
- SEEK 2: Нажмите на кнопки поиска радио станций (назад/ вперед), чтобы начать пошаговый поиск радио станций. При этом радио остановится только тогда, когда радио станция с четким сигналом будет найдена.

и. Режим стерео

В этом режиме (или нажимая на кнопку ST на пульте ДУ) выберите функцию STEREO или MONO. В режиме MONO прием сигнала с дальних станций будет лучше.

к. Режим DX

В этом режиме (или нажимая на кнопку LOC на пульте ДУ) выберите функцию LOCAL или DISTANCE (DX) (режим местной или удаленной чувствительности тюнера).

Функция TA (Программы о дорожном движении)

При нажатии на кнопку TA, режим TA включается (ON) или выключается (OFF).

При включенном режиме, когда станция начнет трансляцию программы о дорожном движении, устройство автоматически переключится на эту станцию. Если устройство находится в режиме воспроизведения дисков, то автоматически переключится на режим радио. Если уровень громкости был меньше 20, устройство автоматически повысит его до этого уровня.

Функция AF (Альтернативные частоты)

Нажмите на кнопку AF, режим AF включается (ON) или выключается (OFF). На дисплее появится надпись AF.

В активном режиме AF радио постоянно проверяет силу сигнала альтернативных частот, на которых может транслироваться RDS программа. Во время поиска AF будет мигать. Если сигнал слабый или исчезает, тюнер будет автоматически искать другую частоту с этой программой.

По умолчанию режим ON (вкл.)

Функция регионального приема

Нажмите ант. кнопку AF и удерживайте в течение 2 секунд, чтобы выбрать режим REG ON (выкл.), REG OFF (выкл.).

ФункцияPTY (Тип программы)

FM-станции, поддерживающие RDS, передают идентифицирующий сигнал типа программы.

1. Нажимайте на кнопку PTY, чтобы выбрать группу программ: MUSIC (музыкальная группа) => SPEECH (информационная группа) => функция PTY Выкл.
2. Нажмите и на кнопки с цифрами, чтобы выбрать тип программы в соответствии с таблицами:

Кнопка с цифрой	Музыкальная группа
1	POP M, ROCK M
2	EAST M, LIGHT M
3	CLASSICS, OTHER M
4	JAZZ M, COUNTRY M
5	NATION M, OLDIES M
6	FOLK M

Кнопка с цифрой	Информационная группа
1	NEWS, AFFAIRS, INFO
2	SPORT, EDUCATE, DRAMA
3	CULTURE, SCIENCE, VARIED
4	WEATHER, FINANCE, CHILDREN
5	SOCIAL, RELIGION, PHONE IN
6	TRAVEL, LEISURE, DOCUMENT

3. Начнется автоматический поиск выбранного типа программы. Если программа не доступна, иконка PTY начнет мигать.
4. Нажмите на кнопку PTY еще раз, чтобы выключить функцию PTY.

Воспроизведение файлов с CD дисков

Диски для воспроизведения

Это устройство может воспроизводить разновидности цифровых дисков: CD/CD-R/-RW.
Совместимо с форматами: MP3/WMA.

Загрузка диска

- Нажмите на кнопку REL, чтобы открыть панель. Установите диск в слот маркированной стороной вверх.
- Нажмите на кнопку EJECT на внутренней панели, чтобы вынуть диск.

Воспроизведение/ Пауза

- Нажмите на кнопку PLAY/ PAUSE, чтобы начать воспроизведение. Чтобы обеспечить высокое качество воспроизведения, дождитесь, пока плеер закончит читать диск, а затем начинайте воспроизведение.
- Во время воспроизведения нажмите на кнопку PLAY/PAUSE, режим паузы активируется. Нажмите на кнопку PLAY/PAUSE еще раз, чтобы продолжить воспроизведение.

Переход к предыдущему или следующему треку

Во время воспроизведения нажмите на кнопку «/», чтобы начать воспроизведение предыдущего/ следующего трека.

Ускоренное воспроизведение вперед или назад

Во время воспроизведения нажмите и удерживайте кнопку «/», чтобы начать ускоренное воспроизведение назад или вперед. Отпустите кнопку, когда нужный фрагмент будет найден.

Повтор воспроизведения

Во время воспроизведения трека нажмите на кнопку RPT, чтобы начать его повторное воспроизведение. Нажмите еще раз, чтобы отменить функцию повтора.

Случайное воспроизведение

Во время воспроизведения трека нажмите на кнопку RDM, чтобы начать случайное воспроизведение всех треков. Нажмите еще раз, чтобы отменить функцию.

Функция Intro

Вы можете последовательно воспроизводить начало каждого трека в течение 10 секунд. Во время воспроизведения треков нажмите на кнопку INT, чтобы начать воспроизведение всех треков. Нажмите еще раз, чтобы отменить функцию.

Поиск по номеру трека

Чтобы найти трек по номеру:

1. Нажмите на кнопку AMS, чтобы открыть окно поиска по номеру.
2. Нажмите на кнопку SEL, на дисплее появится: 000.
3. Вращайте регулятор громкости по часовой стрелке, чтобы увеличивать номер на 1, начиная с первого. Вращайте против часовой стрелки, чтобы уменьшить номер на 1, начиная с последнего. ИЛИ чтобы выставить каждую цифру номера по отдельности, когда появится надпись 000, вращайте регулятор громкости, пока не будет выставлена последняя цифра искомого номера; нажмите на кнопку SEL, вращайте регулятор громкости, пока не будет выставлена вторая цифра искомого номера; нажмите на кнопку SEL, вращайте регулятор громкости, пока не будет выставлена первая цифра искомого номера.
4. Нажмите на SEL, чтобы начать воспроизведение трека.

Поиск файлов по папкам

Чтобы найти файл в папке:

1. Дважды нажмите на кнопку AMS, чтобы открыть окно поиска файлов.
2. Нажмите на кнопку SEL, на дисплее появится название первой директории – А.
3. Вращайте регулятор громкости VOLUME/MENU, чтобы выбрать директорию.
4. Нажмите на кнопку SEL, чтобы войти в нее. На дисплее появится список треков в директории.
5. Вращайте регулятор громкости VOLUME/MENU, чтобы выбрать трек.
6. Нажмите на SEL, чтобы начать воспроизведение выбранного файла.

Поиск треков по названию

Чтобы найти файл по его названию:

1. Трижды нажмите на кнопку AMS, чтобы открыть окно поиска файлов по названию.
2. Нажмите на кнопку SEL, на дисплее замигает первая буква названия - А.
3. Вращайте регулятор громкости VOLUME/MENU против часовой стрелки, чтобы выбрать цифру, вращайте регулятор громкости по часовой стрелке, чтобы выбрать букву.
4. Нажмите на кнопку SEL, на дисплее замигает вторая буква названия - А.

5. Выполняйте операции 3-4 до тех пор, пока название искомого трека не будет введено.
6. Нажмите и удерживайте в течение 2 секунд кнопку SEL, чтобы начать воспроизведение выбранного файла.

Обзор MP3

Замечания по MP3

- MP3 это краткое обозначение аудио слоя MPEG 3 и относится к стандарту технологии сжатия звука.
- Данное изделие позволяет воспроизводить файлы MP3 на дисках CD-ROM, CD-R или CD-RW.
- Изделие может считывать файлы MP3, записанные в формате, соответствующем ISO 9660. Однако оно не поддерживает данные MP3, записанные методом пакетной записи.
- Изделие не может считывать файлы MP3, которые имеют расширение файла, отличающееся от ".mp3".
- Если вы воспроизводите не MP3 файл, который имеет расширение ".mp3", вы можете слышать некоторые шумы.
- В данном руководстве мы рассматриваем файлы, называемые "файлами MP3" и "папкой", а в технологии PC "дорожкой" и "альбомом" соответственно.
- Максимальное количество уровней директории равно 8, включая корневую директорию. Максимальное количество файлов и папок на диске 256.
- Изделие может не воспроизводить дорожки в последовательном порядке.
- Изделие воспроизводит только аудио треки, если диск содержит как аудио треки, так и файлы MP3.
- При воспроизведении диска 8 килобит или VBR, истекшее время воспроизведения в окне дисплея будет неправильным, а также ознакомительное воспроизведение может не действовать надлежащим образом. VBR: Переменная скорость передачи битов.

Замечание по созданию собственных CD-R или CD-RW, содержащих файлы MP3

- Для получения высокого качества звука мы рекомендуем преобразовывать файлы MP3 с эталонной частотой 44,1 кГц и фиксированным битрейтом 128 кбит/сек. НЕ сохраняйте более 256 файлов MP3 на диске.
- Для формата, совместимого с ISO 9660, максимально допустимая глубина вложенных папок равняется 8, включая корневую директорию (папку).
- При использовании диска CD-R воспроизведение возможно только для дисков, которые были закончены. Убедитесь, что при записи MP3 CD-R или CD-RW были отформатированы как диски данных, а НЕ как аудио диски.

- Вы не должны записывать не-MP3 файлы или ненужные папки вместе с файлами MP3 на диск, в противном случае потребуются много времени, пока изделие начнет воспроизводить файлы MP3.
- На некоторых CD-R или CD-RW данные могут не быть записаны надлежащим образом в зависимости от качества их производства. В этом случае данные могут быть воспроизведены не надлежащим образом. Рекомендуются диски CD-R или CD-RW высокого качества.
- Имя альбома или композиции может содержать до 16 символов. Необходима версия 1.x ID3TAG.
- Помните, что изделие может не воспроизводить треки в том порядке, в котором они записаны на диске.

Система защиты от кражи

Данное изделие снабжено сдвигаемой съемной и маскирующей панелью. Панель можно снять и взять с собой, что помогает избежать воровства.

Подсоединение съемной панели

Снятие панели

1. Нажмите и удерживайте кнопку PWR, чтобы выключить питание устройства.
2. Нажмите на кнопку REL на панели. Панель опустится вниз.
3. Сдвиньте панель вправо и вытяните ее на себя.
4. Поместите панель в портфель и возьмите ее с собой, когда вы покидаете автомобиль.

Подсоединение съемной панели

1. Держите панель так, чтобы ее лицевая сторона была направлена на Вас, и установите правую нижнюю часть в кронштейн.
2. Нажмите на панель вправо, установите левую нижнюю часть магнитолы.
3. Поднимите панель. Нажмите на верхнюю часть панели, чтобы она защелкнулась (рис. 3).

Съем изделия

1. Снимите панель.
2. Вставьте два Т-образных ключа в отверстие лицевой стороны, пока не услышите щелчок.
3. Выньте изделие (рис. 1).

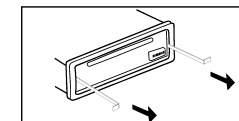
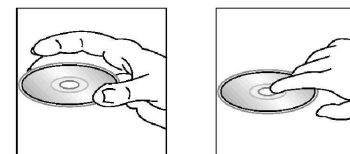


Рис. 1

Обращение с компакт-дисками

- Грязные, поцарапанные или погнутые диски могут вызвать искажение звука или шумы
- Держите диск только за края (как показано на рисунке). Чтобы обеспечить чистоту, не прикасайтесь к его поверхности.
- Диски должны храниться в их чехлах после использования, чтобы не поцарапать их поверхность.
- Не подвергайте диски действию прямого солнечного света, повышенной влажности, повышенным температурам или действию пыли.
- Продолжительное влияние предельных температур может изогнуть диск (например, пребывание дисков в автомобиле в летнее время).
- Не царапайте и не пишите что-либо на любой стороне диска. Острые пишущие инструменты или чернила, используемые в них, могут повредить поверхность диска.
- НЕ ПРИКАСАЙТЕСЬ к стороне, не имеющей маркировки.
- НЕ ПРИКРЕПЛЯЙТЕ какую-либо печать, этикетку или лист предохранения данных к любой стороне диска.
- Данное изделие не может воспроизводить CD размером 3 дюйма (8 см).
- Никогда не вставляйте CD размером 3 дюйма, установленный в адаптер, или CD неправильной формы. Изделие не сможет выбросить его, что приведет к сбою.



Чистка и уход

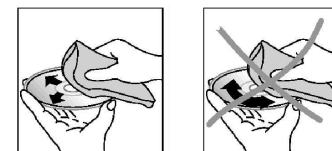
Чистка корпуса

Протирайте мягкой тканью. Если корпус очень загрязнен (не мочите его), используйте ткань, слегка смоченную мыльным раствором, и затем вытрите его сухой тканью.

Чистка дисков

а) Отпечатки пальцев должны быть тщательно стерты с поверхности диска мягкой тканью. В отличие от обычных пластинок, компакт-диски не имеют канавок для сбора пыли и микроскопических частиц грязи, поэтому осторожно вытирайте их мягкой тканью, чтобы убрать частицы грязи. Вытирайте прямолинейным движением от центра к краю.

б) Никогда не используйте растворитель, бензин, очиститель пластинок или антистатический аэрозоль для чистки дисков. Такие химические вещества могут повредить его пластиковые поверхности.



Руководство по устранению неисправностей

Неисправность	Причина	Решение
Нет питания	Зажигание машины не включено. Сгорел предохранитель.	Если источник питания подключен надлежащим образом к выключателю машины, установите ключ зажигания в положение «АСС». Замените предохранитель.
Невозможно загрузить диск	В плеер установлен CD диск.	Удалите диск из плеера, затем установите новый.
Невозможно считать диск	Диск установлен верхней стороной вниз. Компакт диск загрязнен или имеет дефект. Температура внутри машины очень высокая.	Установите компакт диск стороной с этикеткой вверх. Очистите диск или установите новый. Подождите пока температура не станет нормальной.
Нет звука	Звук установлен на минимум. Кабель не подключен надлежащим образом.	Отрегулируйте звук до необходимого уровня. Проверьте подключение кабеля.
Не действуют функциональные ключи	Встроенный микрокомпьютер не работает надлежащим образом из-за шумов. Передняя панель не установлена на свое место.	Нажмите кнопку RESET. Повторно установите переднюю панель.
Звук пропадает	Угол установки более 30 градусов. Компакт диск загрязнен или имеет дефект.	Отрегулируйте угол установки, установив его менее 30 градусов. Очистите диск или установите новый.
Радио не работает. Не работает автоматический выбор радиостанции	Антенный кабель не подключен. Сигналы слишком слабы.	Вставьте антенный кабель надежно. Выберите станцию вручную.

Технические характеристики

Общие	
Источник питания	12 В, постоянное
Максимальная выходная мощность	50 Вт x 4 канала
Потребляемый ток	макс. 15 А
Предохранитель	15 А
Размеры (Д x Ш x В)	178 x 165 x 50 мм
Сtereo FM радио	
Частотный диапазон	87.5 - 108.0 МГц
Используемая чувствительность	3 мкВ
MW радио	
Частотный диапазон	522-1620 кГц
Используемая чувствительность	32 дБ
Плеер дисков	
Система	Дисковая аудио система
Используемый диск	MP3/ CD-R/ CD-RW
Частотные характеристики	20 Гц - 20 кГц ± 5 дБ
Отношение сигнал/шум CD	68 дБ (1 кГц)
Количество каналов	2 стерео
Линия выход	
Выход	CD макс. 2000 мВ

Технические характеристики могут быть изменены заводом-изготовителем без предварительного уведомления.

Указанные масса и геометрические размеры имеют приблизительные значения.