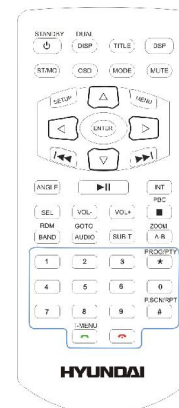
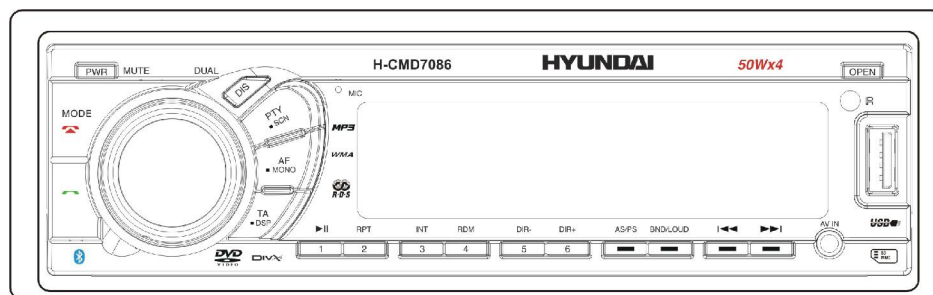


# HYUNDAI

## H-CMD7086



## DVD/CD/MP3 RECEIVER WITH BLUETOOTH DVD/CD/MP3-РЕСИВЕР С ИНТЕРФЕЙСОМ BLUETOOTH

**Instruction manual**

**Руководство по эксплуатации**

**Dear customer!**

Thank you for purchasing our product. For safety, it is strongly recommended to read this manual carefully before connecting, operating and/or adjusting the product and keep the manual for reference in the future.

**Table of contents**

---

Table of contents .....2

Important safeguards .....3

Accessories.....4

Installation/connection.....5

Panel controls .....9

General operations..... 14

Digital tuner operations ..... 17

Disc glossary .....20

DVD/SD/MMC/USB operations.....21

MP3 overview .....27

DVD setup.....29

Bluetooth operation (option).....32

Handling discs .....35

Cleaning .....35

Troubleshooting guide .....36

Specification.....38

## Important safeguards

---

- Using the device at temperature below  $-10^{\circ}\text{C}$  may cause the breakage of the device. Before using please heat up the passenger compartment to the recommended temperature!
- Disconnect the vehicle's negative battery terminal while mounting and connecting the unit.
- When replacing the fuse, be sure to use one with an identical amperage rating. Using a fuse with a higher amperage rating may cause serious damage to the unit.
- Do not attempt to disassemble the unit. Laser beams from the optical pickup are dangerous to the eyes.
- Do not use the unit in places where it can be exposed to water, moisture and dust.
- Make sure that pins or other foreign objects do not get inside the unit; they may cause malfunctions, or create safety hazards such as electrical shock or laser beam exposure.
- If you have parked the car for a long time in hot or cold weather, wait until the temperature in the car becomes normal before operating the unit.
- Do not open covers and do not repair yourself. Consult the dealer or an experienced technician for help.
- Make sure you disconnect the power supply and aerial if you will not be using the system for a long period or during a thunderstorm.
- Make sure you disconnect the power supply if the system appears to be working incorrectly, is making an unusual sound, has a strange smell, has smoke emitting from it or liquids have got inside it. Have a qualified technician check the system.
- The unit is designed for negative terminal of the battery, which is connected to the vehicle metal. Please confirm it before installation.
- Do not allow the speaker wires to be shorted together when the unit is switched on. Otherwise it may overload or burn out the power amplifier.

## Accessories

---

Receiver	1 pc
Remote controller	1 pc
Panel protective case	1 pc
AV cable	1 pc
USB cable	1 pc
Mounting parts:	
• set ISO cable	1 pc
• Release keys	2 pc
• Screw B5X20	1 pc
• Bolt M5X6	4 pc
• Washer	2 pc
• Mounting strap	1 pc
• Rubber	1 pc
Customer information	1 pc
Warranty card	1 pc
Instruction manual	1 pc

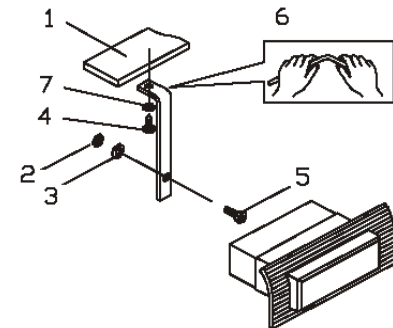
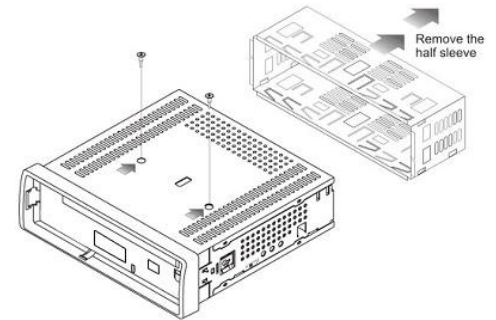
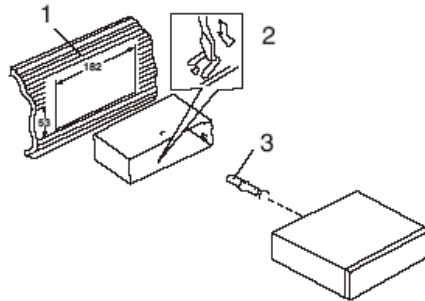
# Installation/connection

**Attention:** Remove the transport CD stopper (2 screws) before use.

## Din front-mount (method 1)

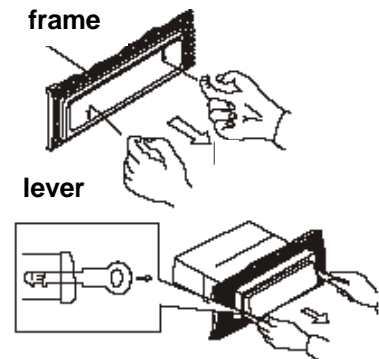
After inserting the holder into the dashboard, select the appropriate tab and bend them inwards to secure the holder in place.

1. Dashboard
2. Nut (5mm)
3. Spring washer
4. Screw (5 x 25mm)
5. Screw
6. Strap
7. Plain washer



## Removing the unit

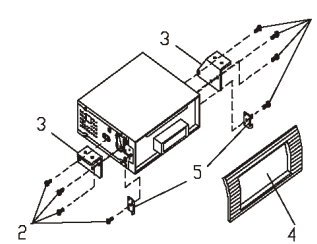
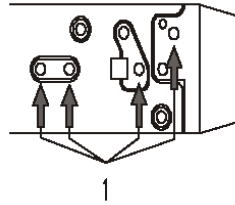
- Insert fingers into the groove in the front of frame and pull out to remove the frame. (When reattaching the frame, point the side with a groove down wards and attach it.)
- Insert the levers supplied with the unit into the grooves at both sides of the unit as shown in figure until they click. Pulling the levers makes it possible to remove the unit from the dashboard.



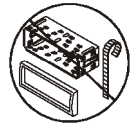
## Din rear-mount (method 2)

Installation using the screw holes at both sides of the unit.

1. Select a position where the screw holes of the main unit are fitted for aligned, and tighten the screws at 2 positions at each sides. Use either truss screws (5 x 8mm) or flush surface screws (4 x 8mm), depending on the shape of the screw holes in the bracket.
2. Screw.
3. Factory radio mounting bracket.
4. Dashboard or Console.
5. Hook (Remove this parts).

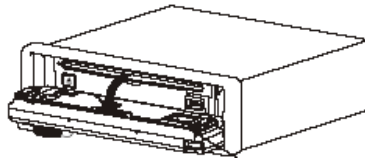


**Note:** The mounting box, outer trim ring, and the half-sleeve are not used for this method of installation.

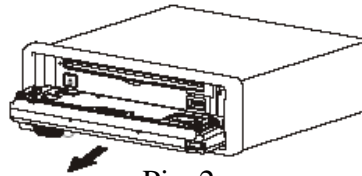


## Detaching the front panel

1. Press OPEN button on the front panel. The panel will go down (pic. 1).
2. Push the panel to the right and then pull it towards you (pic. 2).



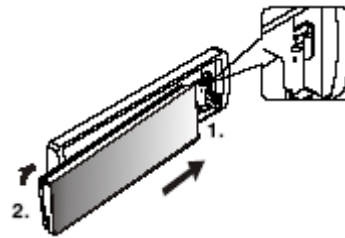
Pic. 1



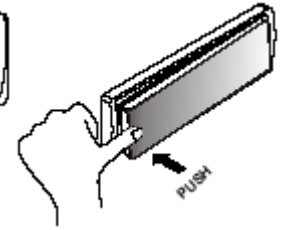
Pic. 2

### Attaching the control panel

1. Insert the right side of the control panel into the main unit (pic. 3).
2. Press the control panel on to the left side of middle of it until a “click” sound is heard (pic. 4).



Pic. 3



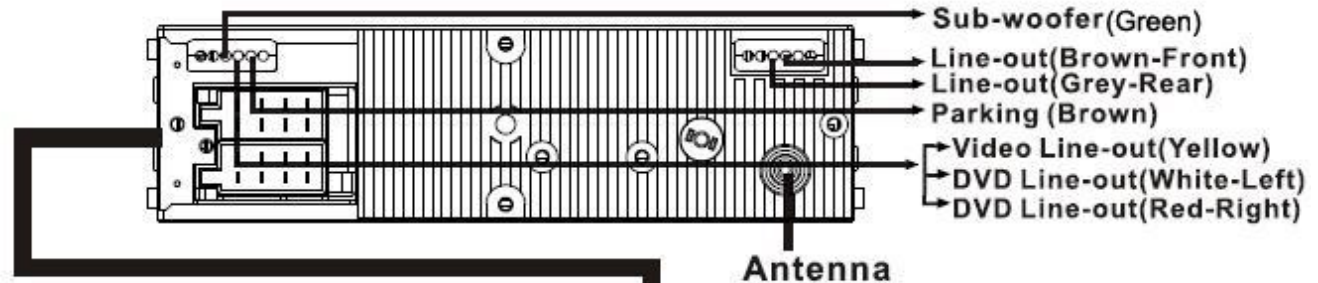
Pic. 4

### Caution:

- Do not insert the control panel from the left side. It can damage the control panel.
- The control panel can easily be damaged by shocks. After removing it, place it in a protective case and be careful not to drop it or subject it to strong shocks.
- The rear connector that connects the main unit and the control panel is an extremely important part. Be careful not to damage it by pressing on it with fingernails, pens, screwdrivers, etc.

**Note:** If the control panel is dirty, wipe off the dirt with soft, dry cloth only. And use a cotton swab soaked in isopropyl alcohol to clean the socket on the back of the control panel.

## Electrical connection



- A2  
To telephone control terminal
- A4  
TO terminal always supplied with power
- A5  
To system control terminal of the power amp or Auto-antenna control terminal(max.300mA 12V DC)
- A7  
To electric terminal controlled by ignition switch(12V DC) ON/OFF.
- A8  
To vehicle (metal)body.



Front speaker

- B3 right +
- B4 right -
- B5 Left +
- B6 Left -

Rear speaker

- B1 right +
- B2 right -
- B7 Left +
- B8 Left -

**Caution:** Do not interchange the connection of the wiring!

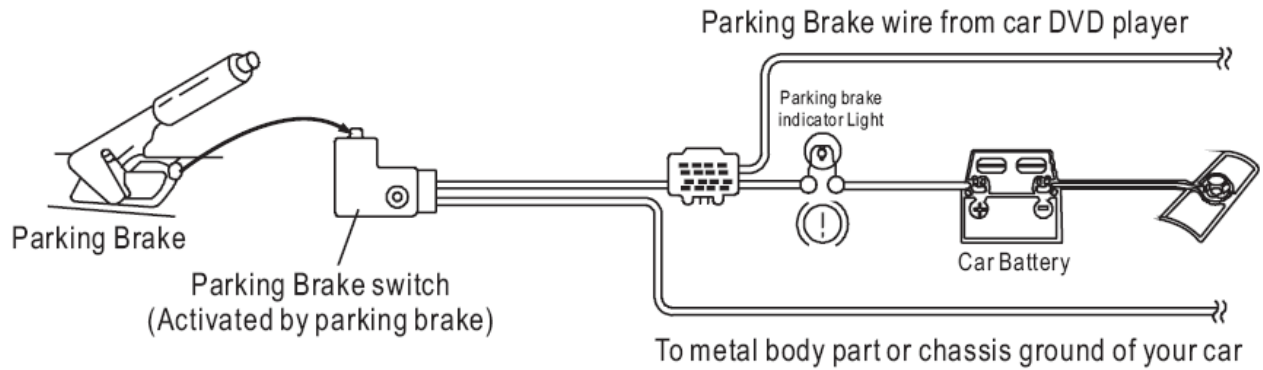
For some car models you may need to modify wiring of the supplied power cord. Contact your authorized car dealer before installing this unit.

**Note:** A2 cable is connected to a Hands-Free device (not included).



## Parking wire

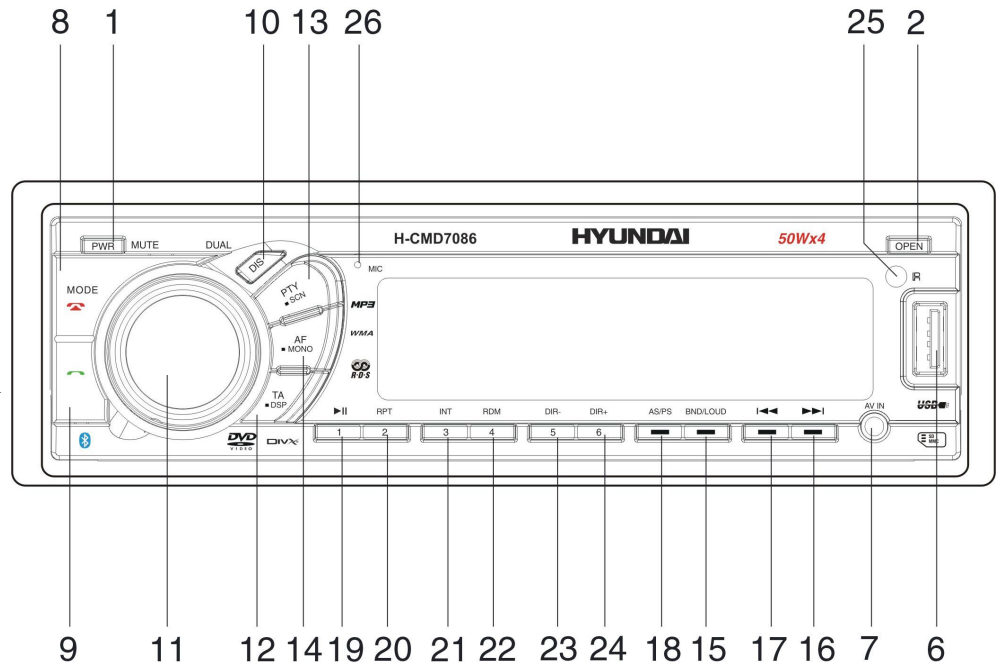
The parking wire is connected with brake signal; for safety, the programs can be seen on the monitor after braking the car.



# Panel controls

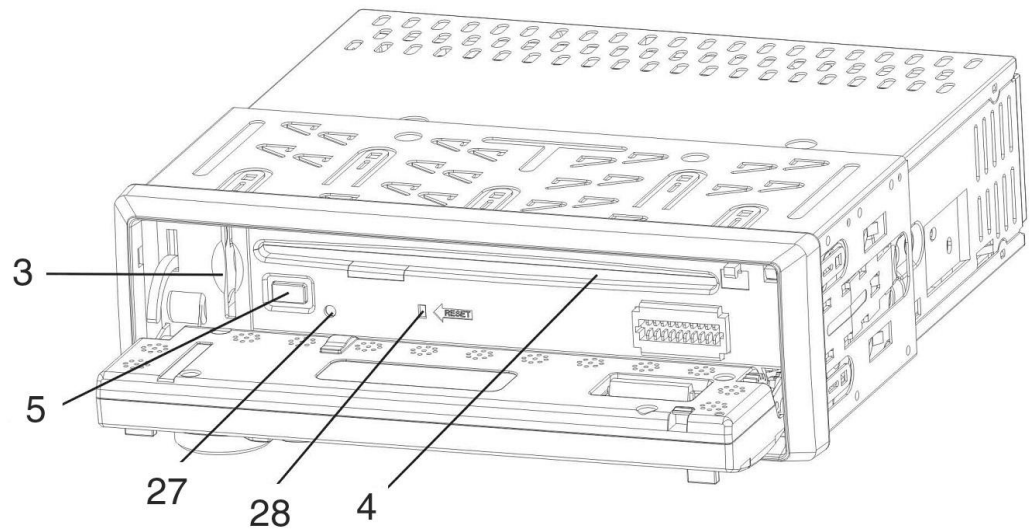
## Front panel

1. PWR/MUTE button
2. OPEN button
3. SD/MMC card slot
4. DISC slot
5. EJECT button
6. USB jack
7. AV IN
8. MODE/REJECT CALL button
9. ACCEPT CALL button
10. DIS/DUAL button
11. VOL KNOB/SEL button
12. TA/DSP button
13. PTY/SCAN button
14. AF/MONO button
15. BAND/LOUD button
16. T-UP button
17. T-DN button
18. AS/PS button
19. 1/PLAY/PAUSE button
20. 2/REPEAT button
21. 3/INTRO button
22. 4/RANDOM button



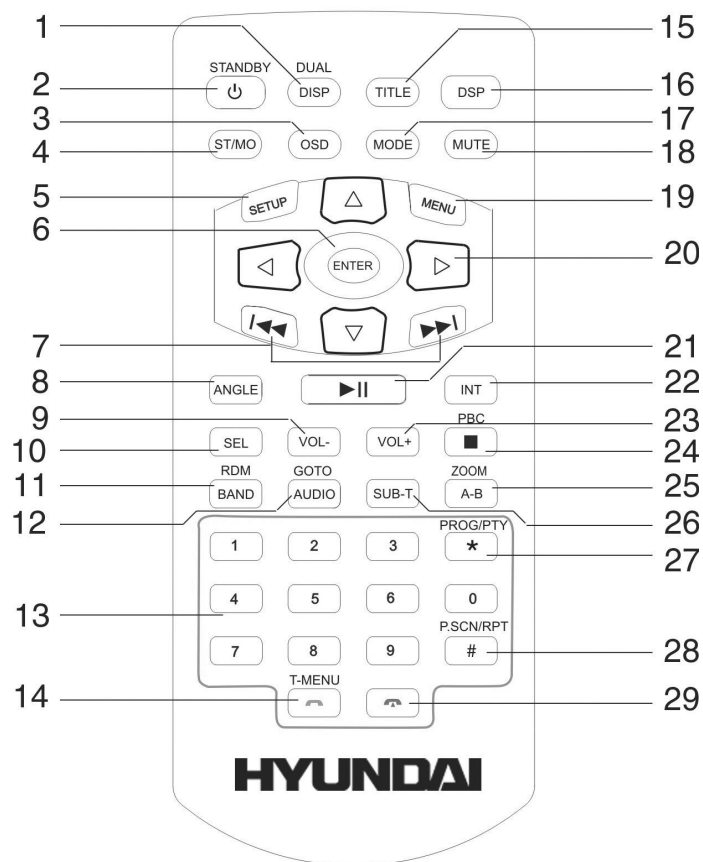
- 23. 5/ DIR- button
- 24. 6/ DIR+ button
- 25. IR remote control sensor
- 26. MIC
- 27. Light indicator
- 28. RESET button

### Inner panel

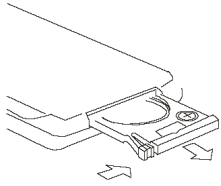


## Remote control

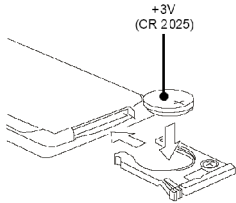
1. DISP/DUAL button
2. STANDBY button
3. OSD button
4. ST/MO button
5. SETUP button
6. ENTER button
7. PREVIOUS/NEXT button
8. ANGLE button
9. VOL- button
10. SEL button
11. BAND/RDM button
12. AUDIO/GOTO button
13. Number buttons
14. ACCEPT CALL/T-MENU button
15. TITLE button
16. DSP button
17. MODE button
18. MUTE button
19. MENU button
20. Cursor buttons (LEFT, RIGHT, UP, DOWN)
21. PLAY/PAUSE button
22. INT button
23. VOL+ button
24. STOP/PBC button
25. A-B/ZOOM button
26. SUB-T button
27. PROG/PTY button
28. P.SCN/RPT button
29. REJECT CALL button



## Changing the battery



1. Press the catch and at the same time pull out the battery tray.



2. Insert the 1 x lithium battery, type CR 2025 3V battery with the stamped (+) mark facing upward. Insert the battery tray into the remote control.

### Warning:

- Store the battery where children cannot reach. If a child accidentally swallows the battery, consult a doctor immediately.
- Do not recharge, short, disassemble or heat the battery or dispose it in a fire.
- Do not expose or bring into contact the battery with other metallic materials. Doing this may cause the battery to give off heat, crack or start a fire.
- When throwing away or saving the battery, wrap it in tape and insulate; otherwise, the battery may give off heat, crack or start a fire.

# General operations

---

## Reset the unit

Operating the unit for the first time or after replacing the car battery, you must reset the unit.

Press OPEN button on the panel to open the panel and press RESET button to restore the unit to the original factory settings.

## Power button

Press any button on the panel or STANDBY button on the RC to turn on the unit. Press and hold PWR button on the panel or STANDBY button on the RC to switch the unit off.

**Note:** After the unit is off, the volume level and radio current settings will be memorized, and when you turn the unit on it will resume the stored status you set.

## Volume control

Rotate VOL knob on the panel or press VOL +/- on the RC to adjust the volume level.

## Setting the sound characteristics

Press shortly and repeatedly the SEL button to select the audio setting: VOLUME(VOL) => BASS => TREBLE(TRB) => BALANCE(BAL) => FADER(FAD). Rotate VOL knob to regulate each setting.

### Note:

- If turning off the power all the settings of each mode will be saved.
- If turning off the ACC power or reset the unit all the settings will become as they were set on the plant.
- If you don't adjust VOL knob within 6 seconds after selecting the desired setting, the unit will automatically return to the current mode being displayed.

## **Setting other characteristics**

During TUNER mode press SEL button and hold for 2 seconds, shortly and repeatedly press SEL button to select the setting: TA SEEK => PI MUTE => RETUNE L => MASK DPI =>TA VOL => EON TA => DISP => REV BEEP.

### **TA SEEK/TA ALARM**

To choose the TA mode, press SEL button for 2 seconds, then press it repeatedly until the display shows TA SEEK or TA ALARM. Rotate the knob to choose between the TA SEEK and TA ALARM. After choosing, please leave the unit idle to activate. In TA SEEK mode, the unit will seek for traffic announcement program when TA is pressed; in TA ALARM mode, no TA/TP is displayed and the alarm is set off.

### **PI SOUND/MUTE**

Press SEL button until the display shows PI SOUND or PI MUTE, then use the knob to choose either PI SOUND or PI MUTE. PI sound refers to the reception noise when the AF function tries to scan alternative frequency.

### **RETUNE S/L - SHORT/LONG**

RETUNE refers to the time period the unit allows for radio scan when reception is interrupted. “S” represents a time period of 30 seconds and “L” represents a time period of 90 seconds.

### **MASK DPI/MASK ALL**

Press SEL button for 2 seconds, then press it repeatedly until the display shows MASK DPI. Rotate the knob to toggle between MASK DPI and MASK ALL mode, then leave the unit idle to activate. During MASK DPI mode, the unit will mask only the AF which has different PI, this is the default mode; during MASK ALL mode, the unit will mask the AF which has different PI and no RDS signal with high field strength.

**TA VOLUME:** Rotate the knob or press VOL+/- button to choose the volume level of TA announcements.

### **EON TA**

Rotate the knob to select EON TA LO/EON TA DX mode. If you want to receive information from local stations only, select EON TA LO mode. Otherwise, select EON TA DX mode.

DISP REV: Rotate the knob to select LED display color between black and white.

### BEEP

Turn BEEP on if you want the pressing of buttons to be sounded. Press SEL Button until the display shows BEEP, then use the VOL+/- Button to turn BEEP sound ALL or OFF or 2<sup>nd</sup> (you hear BEEP sound when you press the button over 1.5 seconds).

### **Turning the sound off**

Press MUTE button to turn the sound off. Press it again or press VOL+/- buttons on the RC or rotate VOL knob on the panel to turn the sound on.

### **Mode setting**

Press MODE button on the panel repeatedly to select: TUNER => DVD (if inserted) => USB (if USB device is inserted) => SD (if the flash card is inserted) => AUX.

### **Equalizer setting**

Press and hold TA/DSP button on the unit or press DSP button on the RC to select the equalizer mode: FLAT => CLASSICS => POP => ROCK => DSP OFF.

### **AV jack**

Intended to receive audio and video signals by connecting to outside input device.

### **Display**

Press DIS/DUAL button on the unit or DISP/DUAL button on the RC to see current tuning information and time. Sequence of the menu: Clock/Time => Radio Frequency => PTY=> Exit.



# Digital tuner operations

---

**Note:** RDS (Radio Data System) service availability varies with areas. Please understand if RDS service is not available in you area, the following service is not available, either.

## RDS overview

PI: Program Identification Code – for identifying code.

PS: Program Service Name Broadcast – station name data expressed in alphanumerically character.

TP: Traffic Program Identification – for traffic information broadcasting station.

TA: Traffic Announcement Identification – showing traffic information is being transmitted or not.

AF: Alternative frequencies – frequency list of broadcasting station transmitting the same program.

## Band selection

Press MODE button to select TUNER. Press BAND once or more to select: FM1, FM2, FM3, MW1 (AM1), MW2 (AM2).

## Manual/automatic tuning

- **Manual tuning:** select a band. Press and hold T-DN/T-UP buttons on the panel or PREVIOUS/NEXT buttons on the RC, MANUAL appears on the display, then press these buttons repeatedly to search a station step by step upward or downward.
- **Automatic tuning:** select a band. Press T-DN/T-UP buttons on the panel or PREVIOUS/NEXT buttons on the RC, the automatic backward/forward search will start. It will play when finds the station.

## Programming tuner stations

You can store up to a total of 30 radio stations in the memory (18 FM, 12 AM), manually or automatically.

- To store a station:

- Select a band (if needed)
- Select a station by pressing T-DN/T-UP buttons on the panel or PREVIOUS/NEXT buttons on the RC.
- Hold a Preset button (1-6), which you want store the station for at least 2 seconds.
- To recall a station:
  - Select a band (if needed)
  - Press a Preset button (1-6) briefly to recall the stored station.

### **AF/MONO button**

Press AF/MONO button to enable AF mode. Press and hold AF/MONO on the unit or press ST/MO on the RC to choose MONO or STEREO.

### **Auto memory store**

Select a band. Press AS/PS button on the panel and hold for 2 seconds to enter auto store mode. The radio will automatically store 6 stations to the 6 preset memories of the current band. To stop auto store, press AS/PS button again.

### **Preset scan**

Select a band. Press AS/PS button on the panel or P.SCN/RPT button on the RC to scan all preset stations in the memories of the current band. To stop preset scan, press the button again.

### **TA (Traffic Announcement) function**

1. Press TA/DSP button shortly to turn on or turn off the TA function.
2. Press and hold for 2 seconds SEL button on the panel, press it shortly and repeatedly to select TA function. Rotate VOL knob to select TA SEEK or TA ALARM mode.
3. When TA or TP RDS signal is available from the current station, TP icon is turned on. When TA/TP is enabled (on), but no traffic announcement is transmitted, TP icon is off and TA icon keeps blinking.

### **AF (Alternative Frequencies) function**

Press AF/MONO button on the panel shortly to turn on or turn off the AF function. If the AF function is on the display will show “AF”. When AF switching mode is selected, but RDS information is not received yet the “AF” will be flashing.

The RDS program will be automatically searched and received. After turning on, if the RDS signal is weak or even no signal, the unit will search another frequency with this RDS program.

Default setting is ON.

### **PTY (Program Type) function**

1. Press PTY/SCN button on the panel or press PTY/PROG button on the RC to select the program type group: MUSIC GROUP => twice to select SPEECH GROUP => PTY OFF.
2. When the program type is selected press digit buttons (1~6) repeatedly to select the program type according to the table:

Preset number	PTY music group
1	POP M, ROCK M
2	EAST M, LIGHT M
3	CLASSICS, OTHER M
4	JAZZ M, COUNTRY M
5	NATION M, OLDIES M
6	FOLK M

Preset number	PTY speech group
1	NEWS, AFFAIRS, INFO
2	SPORT, EDUCATE, DRAMA
3	CULTURE, SCIENCE, VARIED
4	WEATHER, FINANCE, CHILDREN
5	SOCIAL, RELIGION, PHONE IN
6	TRAVEL, LEISURE, DOCUMENT

3. Searching will start. If PTY code is different or not available, the PTY icon will start blinking.
4. Press PTY/SCN button third time to switch the PTY function off.

## **Disc glossary**

---

### **PBC (PlayBack Control)**

PBC is a menu recorded on the disc with SVCD or VCD2.0 format. For the discs contained PBC, it can playback interactive software with the menu displayed on TV. And if the disc contains still images, it can playback high definition of still image.

### **Title**

The title is the important part of DVD disc. The memory volume of the disc is rather big, that makes possible to record several films on one disc. For example, if a disc contains three films, they may be divided into Title 1, Title 2 and Title 3. You can easy use the functions of looking-for.

### **Chapter**

A title can be divided into several blocks, so that every block can be operated as a unit, the unit is called chapter. The chapter contains a unit at least.

### **Track**

It is the biggest component of VCD. Generally, every song of karaoke disc is a track.

# DVD/SD/MMC/USB operations

---

## Discs for playback

- This unit can play disc types: DVD/DVD±R/±RW/CD/CD-R/CD-RW.
- Compatible with formats: DVD/SVCD/VCD/DVD Audio/CDDA/MP3/CD/WMA/ HDCD/Picture-CD/Photo-CD/JPEG.
- The following file types are supported:
  - Audio files: MP3 (\*.mp3)  
WMA (\*.wma)
  - Video files: MP4 (\*.avi, DIVX3.11/4.0/5.0/6.0 and XVID)  
MPEG 2(\*.vob)  
MPEG 1(\*.dat)
  - Picture file: JPEG (\*.jpg)
- ISO 9660 or ISO 9660 +Joliet format - Max. 30 characters
- Max. Track number is 448
- Max. nested directory is 8 levels
- The max. album number is 99
- The max. length of each track is 99 minutes 59 seconds
- Supported sampling frequency for MP3 disc: 8 KHz – 48 KHz (44.1 KHz preferably)
- Supported bit-rates of MP3 disc are: 32 - 320 kbps (128 kbps preferably).
- Following formats are NOT supported \*.ACC, \*.DLF, \*.M3U, \*.PLS, MP3 PRO, files with DRM.
- Open session discs are NOT supported.

## **USB/SD/MMC notes**

USB functions (flash memory type) MP3 music play.

1. SD/MMC card support, 2in1 (SD/MMC) support.
2. USB flash memory.
3. FAT 12/ FAT 16/ FAT 32 is possible
  - FAT 12/16 (dir: 200 support, file: 500 support),
  - FAT 32 (dir: 200 support, file: 500 support).
4. Filename: 32 byte/ Dir name: 32 byte.
5. Tag (id3tag ver2.0)
  - Title/ Artist/ Album: 32 byte support.
6. Multi card reader not supported.
7. USB 2.0 support.

### **Notes:**

**USB** format supports 2.0.

Capacity: up to 2 GB.

**SD cards** brands: Cannon, Fuji film, Palm, Motorola, Microsoft, IBM, HP, Compaq, Sharp, Samsung, etc.

Capacity: up to 2 GB.

**MMC cards** brands: Ericsson, Nokia, Motorola, HP, Palm, Sanyo, Microsystems, etc.

Capacity: up to 2 GB.

### **Loading/Ejecting a disc**

Turn the power on. Press OPEN button on the panel. Insert the disc with the printed side facing upward into the slot. Press EJECT button on the inner side to eject the disc.

### **Inserting the SD/MMC card/USB device**

Insert the MMC/SD card or USB device into MMC/SD compartment or USB socket. Then the playing mode will be changed into MMC/SD or USB mode automatically. The first card/USB device track playback will start.

**Note:** When MMC/SD card and USB device are both inserted into their compartment or socket, the playing mode will be changed into the mode of the later one.

### **Playing/pausing**

When the disc/card/USB device has been already loaded the playback of the first track starts automatically. To ensure good system performance, wait until the unit finishes reading the disc information before proceeding. Or press PLAY/PAUSE button to start playback. Press it again to pause the playback. Press again to resume the playback.

**Note:** It may take some time to load Jpeg pictures due their high resolution.

### **Playing the previous/next track**

During playback press PREVIOUS button to play the previous track. Press NEXT button to play the next track.

### **Scanning forward and backward**

Press and hold PREVIOUS/NEXT buttons to select the speed of fast backward/forward playing.

**Note:** During the disc playback when fast backward/forward playback gets to the beginning of the playing another track, it resumes normal playback.

### **DIR+/DIR-**

Press 5/DIR-, 6/DIR+ buttons to choose folder.

## **Loudness**

Press and hold BAND/LOUD button to turn loud on or off.

## **Repeat playback**

Press RPT button to start repeat playing. Press one more time to cancel. The repeating sequence:

In MP3 mode: FILE => FOLDER => ALL.

In DVD mode: Repeat OFF => Repeat TITLE => Repeat Chapter.

In CD mode: Disc => Track.

**Note:** to choose FOLDER repeating and TITLE repeating press and hold RPT button.

## **Changing angle (for DVD only)**

If DVD disc supports multi-angle playback, press ANGLE button on the RC to playback images in different camera angles. If discs doesn't support multi-angle playback, this function will not work.

## **Selecting audio languages**

During DVD disc playback press AUDIO button on RC repeatedly to select the audio language to listen (if the disc supports multi-language mode).

## **Selecting the channel (for VCD only)**

During VCD disc playback press AUDIO button on the RC to select the channel: L-mono => R-mono => Mix mono => Stereo.

## **Selecting subtitle language (for DVD only)**

Subtitle language is in disc initiation setting during playback. Press SUB-T button on the RC repeatedly to switch among disc-supported languages.



### **Changing size (for DVD/VCD)**

During playback press and hold A-B/ZOOM button on the RC. The picture will be enlarged accordingly: X2=> X3=> X4=> X1/2=> X1/3=> X1/4=>Normal.

### **A-B segment repeating**

Press A-B/ZOOM button to set A position, press one more time to set B position and start A-B repeating. Press this button one more time to cancel the repeating function.

### **OSD (OnScreen Display) function**

Press OSD button on the RC repeatedly to show the disc information, such as: the Number of track, Current track time elapsed => Current track time remain => Total tracks time elapsed => Total tracks time remain, Language.

### **Menu navigation (for DVD only)**

Title playing:

- Press TITLE button on the RC to activate the disc title list on the screen.
- Choose the desired title.
- Press ENTER button or PLAY/PAUSE button to confirm the selected item and start playing.

### **PBC (Playback Control) function (for VCD only)**

If you insert a VCD with PBC, playback starts from the beginning of the 1st track automatically.

1. Press and hold STOP/PBC button on the RC to set PBC on/off; when PBC on, the screen will show PBC menu.
2. If the menu consists of a list of titles, you can select a desired one using cursor buttons or number buttons on the RC while PBC is off.
3. The VCD starts playing the selected title automatically, or you can press PLAY/PAUSE button to confirm the selected track for playback.

4. Press STOP/PBC button to “STOP”, and press PLAY/ PAUSE button to continue playing.
5. Press STOP/PBC button to “STOP”, press again to “R.STOP”, and press PLAY/ PAUSE button to playback.

### **Program playing**

During playback press PROG/PTY button on the RC to open the program menu. Press number buttons to select the track number and then press cursor buttons to move the cursor to PLAY.

Press ENTER to start program playing. You can choose CLEAR ALL, to cancel the settings. Press PROG/PTY button to exit the program function.

### **GOTO**

Press and hold AUDIO/GOTO button in DVD mode to enter GOTO mode and set chapter/track/time directly.

### **MENU**

Press MENU button in DVD mode to show disc menu.

### **Intro**

Press INT button to activate INTRO function (playing the beginning of every track for 10 seconds).

### **Dual mode**

When playing DVD press and hold DIS/DUAL button on the panel or DUAL button on the RC to activate dual zone mode. Press MODE button to choose tuner mode for front zone, and at the same time DVD mode will be playing at the rear zone (in case of correct connection).

### **Random**

In disc mode press and hold BAND/RDM button on the RC or 4/RDM button on the unit to activate random playing mode. Press one more time to return to normal playing.

# MP3 overview

---

## Notes on MP3:

- MP3 is short for MPEG Audio Layer 3 and refers to an audio compression technology standard.
- This product allows playback of MP3 files on CD-ROM, CD-R or CD-RW discs.
- The unit can read MP3 files written in the format compliant with ISO 9660. However it does not support the MP3 data written by the method of packet write.
- The unit can not read an MP3 file that has a file extension other than “.mp3”.
- If you play a non- MP3 file that has the “.mp3” extension, you may hear some noise.
- In this manual, we refer to what are called “MP3 file” and “folder” in PC terminology as “track” and “album”, respectively.
- Maximum number of directory level is 8, including the root directory. Maximum number of files and folders per disc is 256.
- The unit may not play tracks in the order of Track numbers.
- The unit plays only the audio tracks if a disc contains both audio tracks and MP3 files.
- When playing a disc of 8 kbps or “VBR”, the elapsed playing time in the display window will not be correct and also the intro play may not function properly. “VBR”: Variable Bit Rate.
- The unit supports the playback of WMA files. The playback of ID3 tags for WMA format is not guaranteed, it depends on versions and availability of Cyrillic alphabet.
- WMA (Windows Media Audio) – music data compression format, created by Microsoft Corporation. This format uses coding algorithm for compression of initial audio-record, greatly decreasing the file size, but, saving the good sound quality even when the bit rate is low (for example, 64 Kbit/s).

### **Notes on creating your own CD-R or CD-RW containing MP3 files:**

- To enjoy high quality sound, we recommend converting to MP3 files with a sampling frequency of 44.1 kHz and a fixed bit rate of 128 kbps.
- DO NOT store more than 256 MP3 files per disc.
- For ISO 9660 - compliant format, the maximum allowable depth of nested folders is 8, including the root directory (folder).
- When CD-R disc is used, playback is possible only for discs, which have been finalized.
- Make sure that when MP3 CD-R or CD-RW is burned that it is formatted as a data disc and NOT as an audio disc.
- You should not write non-MP3 files or unneeded folders along with MP3 files on the disc otherwise it takes a long time until the unit starts to play MP3 files.
- With some CD-R or CD-RW media, data may not be properly written depending on its manufacturing quality. In this case, data may not be reproduced correctly. High quality CD-R or CD-RW disc is recommended.
- Up to 16 characters are displayed for the name of an Album or a Track. ID3TAG version 1.x is required.
- Note that the unit may not play Tracks in the order that you wrote them to the disc.

# DVD setup

---

Press SETUP button to enter into the system settings main menu; press the left or right cursor buttons to move to the highlighted menu item and select one of the Setup Pages: Language, Display, Audio, Parental.

**Note:** The OSD menu is only available on external monitor connected to the receiver.

## Language setup:

Press SETUP and then ENTER to enter into LANGUAGE setup menu.

- **OSD language setting**

With this option you can select the language for your On Screen Display (OSD). This menu item has 6 languages available.

- **Subtitle setting**

With this option you can select the preferred language for the subtitles. When the selected language is recorded on the disc then this language will automatically be shown. If not, the first language recorded on the disc is displayed.

- **Audio setting**

With this option you can select the preferred language for the audio output. When the selected language is recorded on the disc (not all discs have multiple languages recorded) then this language will automatically be played. If not, the first language recorded on the disc is played.

- **Disc menu setting**

With this option you can select the preferred language for the disc menu. When the selected language is recorded on the disc then this language will automatically be selected. If not, the first language recorded on the disc is displayed.

- **Version display**

With this option you can know the version of the unit.



## Display setup:

- **TV Display setup**

Set TFT screen mode to the correct ratio:

Three screen ratio modes are available, Normal/PS (4:3 Pan Scan), Normal/LB (4:3 Letterbox) and Wide (16:9). Different disc formats will display different images depending on this setting and the screen size used.

- **TV Type setup**

Select this menu item to set up your preferred video output format. PAL is commonly used in Europe. NTSC is commonly used in the USA and Japan. Auto is commonly used automatically.

- **Angle mark setup**

When playing a DVD disc and you have selected ON, then the screen will show the angle mark. This will give you the possibility to view multi angle DVD's.

- **Screen Saver setup**

When playing a DVD disc and you have selected ON, the screen will enter Screen Saver function if you stop played about 3 minutes.



## Audio setup:

- **Down Mix setup**

Press DOWN arrow to enter the sub-menu. If you want analog stereo signals, set the sound mode to "STEREO". If you want to have Dolby Pro Logic stereo (the decoded signal will create a 2ch reality simulating effect), select "LT/RT"

- **Dual Mono setup**

Select the type of output of the Left and Right audio output connectors.



Stereo is normal Stereo, L-Mono is all sound on the Left Audio output, R-Mono is all sound on the Right channel. The “Mix-Mono” function only works when a DVD is being played in DTS 5.1 mode.

- **Dynamic setup**

This function is to adjust the linear compression rate to obtain the different compression results of the signals. Standard set to “OFF”

**Parental setup:**

- **Change setup**

With this option you can change your password protection. The default password is 0000

- **Parent setup**

For DVD discs, which support this system, parents can prohibit watching content that might be inadvisable for children (use LEFT/RIGHT cursor buttons to choose rating code, then enter password to confirm).

- **Default setup**

With this option you can clear all your setup and resume default setup.



Code	Description
<b>1.</b>	kid safe
<b>2. G</b>	General Audiences - All ages admitted
<b>3. PG</b>	PARENTAL GUIDANCE SUGGESTED - Some material may not be suitable for children
<b>4. PG-13</b>	PARENTS STRONGLY CAUTIONED - Some material may be inappropriate for children under 13
<b>5. PG-R</b>	Restricted, under 17 requires accompanying parent or adult guardian.
<b>6. R</b>	RESTRICTED - Under 17 requires accompanying parent or adult guardian
<b>7. NC-17</b>	NO ONE 17 AND UNDER ADMITTED
<b>8. Adult</b>	Above 17 Admitted

## **Bluetooth operation (option)**

---

Feature:

1. Bluetooth specification V2.0 EDR compliant
2. Support HFP, A2DP, AVRCP.
3. Excellent ECHO cancellation with noise elimination
4. Dial
5. Display incoming and outgoing number
6. Call list
7. Phone book

### **A2DP (Advance Audio Distribution Profile)**

A2DP is a function which can receive the audio frequency signal from mobile phone, amplify by car audio and play out by speaker.

Operation:

Enter Bluetooth music playing program via connect mobile phone (no need to connect if the unit already connected with phone) via play music.

**Note:** A2DP need mobile phone support.

### **AVRCP**

When the music is playing, Press 1/PAUSE button once to pause, press again to play. Press NEXT button to the next song, press PREVIOUS button to the previous song.

### **Auto-connect**

When power on, the last paired phone will be connected to the device via Bluetooth automatically, after searching about one minute, if the device can not find the paired phone, it will stop searching.

When in standby mode (unconnected), short press T-MENU button to active auto-connect function and the device will search the last paired phone.



## **Pairing**

Before operation it needs to pair the mobile phone and receiver.

Prepare your mobile phone for bluetooth connection.

According to mobile manual pairing device, when searching new device (KBT), select it, put in pass code "8888" and confirm ok, device pairing finished. Operate mobile connect to Bluetooth, after connecting Bluetooth, Bluetooth indicating LED will be on.

**Note:** Make sure to keep the other Bluetooth device within 2 meters from this unit when making the pairing.

## **Basic Telephone Operation**

Answer a call: Short press Accept Call button "☞" to answer a call.

Reject a call: Short press Reject Call button "☜" to reject a call.

Hang up: Short press Reject Call button "☜" to hang up during dialing or talking.

## **Dial**

Short press Accept Call button "☞", LCD will blink with "\_", press digit buttons to input phone number, (Press SEL button on panel or LEFT cursor button on the RC to delete a wrong number), then press Accept Call button "☞" to dial the number.



## **Call list/number redial**

Short press Accept call button once, the LCD screen will blink with "\_" first, press it again to display the last number, then press T-UP/T-DN button to display all incoming and outgoing numbers one by one. Press SEL button on panel or LEFT cursor button on the RC to delete a wrong number (max. 12).



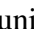
**Note:** While scrolling the numbers you can press Accept Call button "☞" to redial any from the list. The functionality may be limited due to some phones' own dedicated interfacing specification.

## **Phone book (Max store 250 numbers)**


Press Accept Call button "☞" once, the LCD screen will blink with "\_" first, press digit 1, then press Accept Call button "☞" to show the English letter A, press T-UP/T-DN button to display all the letters A-Z (represent the first letter of the call card name) and "\*" (represent the first letter other than A-Z) one by one, then press Accept call button "☞" to confirm, LCD will show the name with this letter as the first letter if existed (if the

name with this first letter not existed, the LCD will display the next name according the order from A-Z), press Accept call button “” once again to display the number, and then press it again to dial the number. (Press Reject call button “” to return to the last step).

Input Calling Card:

Press Accept call button “” to make the LCD screen blink with “\_”, then press one by one #->1->2->3->4->#, after about 6 seconds, the LCD will show “Input”, (if you want to exit from inputting calling card, press Accept call button “” to show “Writing” and return), then operate your mobile phone to transmit calling cards one by one to the unit, the LCD will show the name of this call card, press Accept call button “” to show “writing” on LCD, then the unit will store the call card.

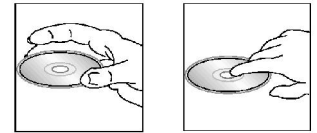
Clear up Calling Card:

Press Accept call button “” to make the LCD screen blink with “\_”, then press one by one #->0->0->0->0-># to clear up all the stored calling cards.

**Note:** When start inputting calling card from mobile phone to the device, the Bluetooth will start disconnect between mobile phone and device. After finishing inputting calling card, due to different model of mobile phone, some phones may auto connect with the device, but some phones not, in any case, you need to reconnect to the Bluetooth between your mobile phone and the device to work the Bluetooth on the device.

## Handling discs

- Dirty, scratched or warped discs may cause skip ping or noise.
- Handle the disc only by the edges. To keep clean do not touch its surface.
- Discs should be stored in their cases after use to avoid scratches.
- Do not expose discs to direct sunlight, high humidity, high temperature or dust.
- Prolonged exposure to extreme temperature can warp the disc (such as leaving the discs in your car during summertime).
- Do not stick or write anything on either side of disc. Sharp writing instruments, or the inks used in some felt-tip pens, may damage its surface.
- Do not touch the unlabeled side. Do not attach any seal, label or data protection sheet to either side of a disc.



## Cleaning

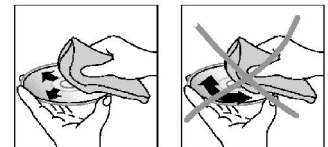
---

### Cleaning the cabinet

Wipe with a soft cloth. If the cabinet is very dampen (not dropping wet) the cloth with a weak solution of soapy water, and then wipe clean.

### Cleaning discs

Fingerprints should be carefully wiped from the surface of disc with a soft cloth. Unlike conventional records, compact discs have no grooves to collect dust and macroscopic dirt, so gently wiping them with a soft cloth should remove most particles. Wipe in a straight motion from the center to the edge. Never use thinner benzene, record cleaner or anti static spray on a compact disc. Such chemicals can damage its plastic surface.



## Troubleshooting guide

Symptom	Cause	Solution
No power	The car ignition is not on.  The fuse is blown.	If the power supply is properly connected to the car accessory switch the ignition key to "ACC". Replace the fuse.
Disc cannot be loaded.	Presence of disc inside the player.	Remove the disc in the player then put a new upward.
Disc cannot be read. (LCD shows "ERROR2")	Inserting the disc in upside down.  Compact disc is extremely dirty or defective.  Temperature inside the car is too high.	Insert the compact disc with the label facing upward. Clean the disc or try to play a new one.  Cool off until the ambient temperature returns to normal.
SD/MMC cannot be read. (LCD shows "ERROR8")	Metal interface is rusty, extremely dirty or defective.	Clean the metal interface or try to play a new one.
USB cannot be read. (LCD shows "S-STOP")	Metal interface is rusty, extremely dirty or defective.	Clean the metal interface or try to play a new one.
No sound	Volume is in minimum. Wiring is not properly connected.	Adjust volume to a desired level. Check wiring connection.
The buttons do not work.	The built-in microcomputer is not operating properly due to noise. Front panel is not properly fix into its place.	Press RESET button.  Reinstall the front panel.
Sound skips.	The installation angle is more than 30 degrees. The disc is extremely dirty or defective.	Adjust the installation angle to less than 30 degrees. Clean the compact disc/try to play a new one.

The radio does not work, the radio station automatic selection does not work.	The antenna cable is not connected the signals are too weak.	Insert the antenna cable firmly select a station manually.
---	---	---

# Specification

---

General	
Power supply:	12 V DC
Storage support:	DVD/DVD±R/DVD±RW/CD/CD-R/CD-RW/USB/SD/MMC
Compatible with:	DVD/VCD/MPEG4/CDDA/MP3/WMA/HDCD/Picture-CD/Photo CD/JPEG playback
Current consumption:	max. 15 A
Maximum power output:	50 W x 4 channels
Dimensions (L x W x H):	178 x 175 x 50 mm
Working temperature range:	-10°C - +60°C
FM Stereo Radio	
Frequency range:	87.5 - 108.0 MHz
Usable sensitivity:	15 uV
Preset memory stations:	18
MW (AM) section	
Frequency range:	522 kHz - 1620 kHz
Preset memory stations:	12
Frequency response:	20 Hz - 20 KHz
S/N ratio (A-vtd):	60 dB
DSP sound effect:	Classic, Rock, Pop, Flat
Line out	
Output:	4 channel RCA line out (2V)
Bluetooth	Ver.2

**Specifications are subject to change without notice. Dimension are approximate.**

## Уважаемый покупатель!

Благодарим Вас за покупку нашего изделия. Для обеспечения безопасности рекомендуется тщательно изучить настоящее руководство перед подключением, эксплуатацией и/или регулировкой изделия, и сохраняйте руководство для использования в будущем.

## Содержание

---

Содержание.....	39
Меры предосторожности.....	40
Комплект поставки .....	41
Установка/подключение .....	42
Элементы управления .....	46
Основные операции.....	51
Операции с цифровым тюнером .....	54
Используемая терминология .....	58
Воспроизведение файлов с DVD/SD/MMC/USB носителей.....	59
Обзор MP3 и WMA.....	66
Настройки DVD .....	68
Операции с Bluetooth (опция) .....	72
Обращение с дисками.....	76
Чистка и уход.....	76
Руководство по устранению неисправностей.....	77
Технические характеристики .....	79

## Меры предосторожности

---

- Использование данного устройства при температуре ниже  $-10^{\circ}\text{C}$  может привести к поломке. Перед использованием предварительно прогрейте салон автомобиля до рекомендованной температуры.
- При установке и подключении устройства отключите отрицательную клемму аккумулятора автомобиля.
- При замене предохранителя, убедитесь, что вы устанавливаете предохранитель с тем же номиналом. Используя предохранитель с повышенным значением тока можно причинить значительные повреждения изделию.
- Не пытайтесь разбирать устройство. Лазерные лучи, исходящие из блока оптической головки считывания информации с компакт-диска, опасны для глаз.
- Не используйте устройство в местах, где оно может подвергнуться воздействию воды, влаги и пыли.
- Убедитесь, что посторонние предметы не попали внутрь изделия. Они могут вызвать сбой в работе или стать причиной опасности, такой, как поражение электрическим током или лазерным лучом.
- Если вы ставите автомобиль на стоянку на длительное время в жаркое или холодное время года, подождите, пока температура в автомобиле не станет нормальной, перед тем как включать изделие.
- Не открывайте крышки и не проводите ремонт самостоятельно. Обратитесь к дилеру или квалифицированному персоналу.
- Убедитесь, что устройство отключено от питания во время грозы или если Вы намерены не использовать его в течение долгого времени.
- Убедитесь, что питание устройства отключено, если обнаружена неправильная работа системы, система издает необычные звуки, запах, выделяет дым или внутрь ее попала жидкость. Проведите квалифицированный технический осмотр системы.
- Изделие разработано так, чтобы отрицательный вывод аккумулятора был подключен к корпусу транспортного средства. Пожалуйста, убедитесь в этом перед установкой.
- Не позволяйте проводам динамиков касаться друг друга или металлических поверхностей автомобиля при включении изделия. В противном случае усилитель мощности может выйти из строя.
- Не снимайте панель, не выключив питание устройства.



## Комплект поставки

---

Ресивер	1 шт
Пульт дистанционного управления	1 шт
Защитный футляр для передней панели	1 шт
AV кабель	1 шт
USB кабель	1 шт
Детали для установки:	
• Съемные ключи	2 шт
• ISO кабель	1 шт
• Шуруп В5Х20	1 шт
• Болт М5Х6	4 шт
• Шайбы	2 шт
• Металлическая пластина	1 шт
• Резиновый упор	1 шт
Информация для потребителя	1 шт
Гарантийный талон	1 шт
Руководство по эксплуатации	1 шт

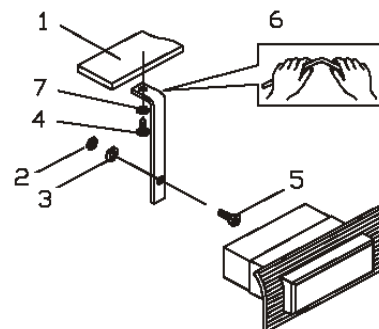
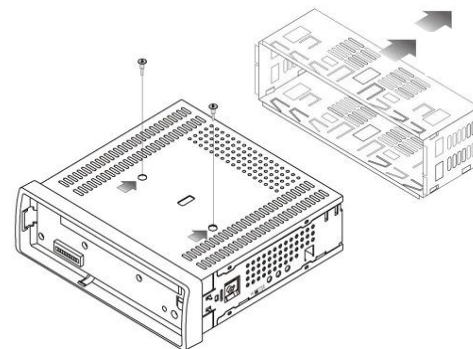
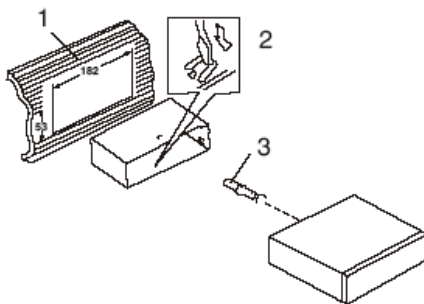
# Установка/подключение

**Внимание:** Перед подключением необходимо удалить два CD держателя из верхней части устройства.

## Первый вариант установки

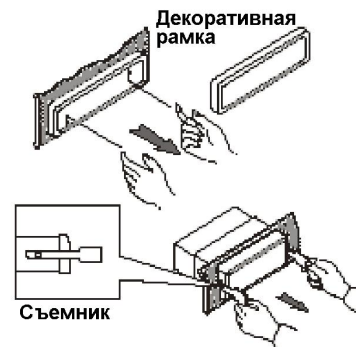
После установки кожуха авто магнитолы в приборную панель автомобиля выберите на кожухе те металлические язычки, которые соответствуют толщине приборной панели, и отогните их, чтобы зафиксировать кожух на месте.

1. Приборная панель автомобиля
2. Гайка (5 мм)
3. Пружинная шайба
4. Винт (5 x 25 мм)
5. Винт
6. Металлическая планка
7. Плоская шайба



## Снятие магнитолы

- Вставьте пальцы в выемки на передней стороне рамки и вытяните рамку на себя. (При установке декоративной рамки на место направьте сторону с выемками вниз и установите рамку.)
- Вставьте съемники, входящие в комплект магнитолы, в пазы на обеих сторонах устройства, как показано на рисунке, чтобы они зафиксировались со щелчком. Для того чтобы вынуть магнитолу из приборной панели автомобиля, потяните за съемники на себя (или потяните магнитолу на себя).

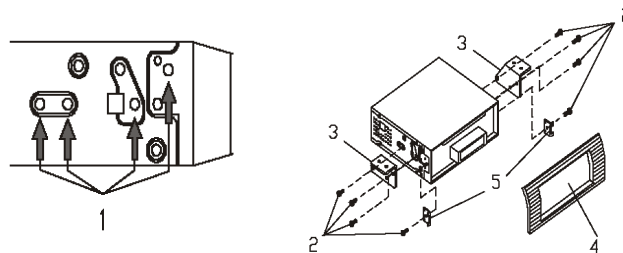


## Второй вариант установки

Данный вариант установки предусматривает использование резьбовых отверстий, которые находятся на боковых панелях магнитолы.

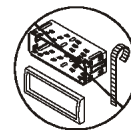
Закрепите магнитолу на крепежных кронштейнах штатного радиоприемника.

1. Выберите положение кронштейнов, при котором будут совмещены резьбовые отверстия на кронштейнах и резьбовые соединения на корпусе магнитолы. Закрепите кронштейны с обеих сторон магнитолы не менее чем в двух местах. Для этого используйте либо крепежные винты (5 x 8 мм), либо винты с потайной головкой (4 x 8 мм), в зависимости от типа резьбовых отверстий на кронштейне.
2. Винт.
3. Крепежные кронштейны штатного радиоприемника.
4. Приборная панель или консоль автомобиля.
5. Скоба (необходимо удалить).



### Примечание:

При установке ресивера по второму методу кожух, декоративная внешняя рамка и металлическая планка не используются.



### Снятие панели

1. Нажмите кнопку OPEN на панели. Панель опустится вниз (рис. 1).
2. Сдвиньте панель вправо и вытяните на себя (рис. 2).

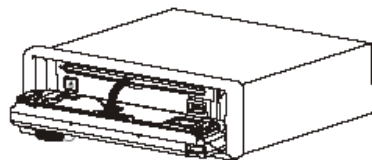


Рис. 1

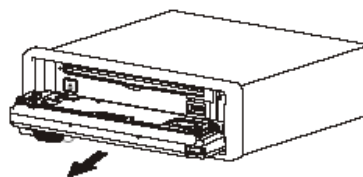


Рис. 2

### Подсоединение съемной панели

1. Держите панель так, чтобы ее лицевая сторона была направлена на Вас, и установите правую сторону кронштейна панели (рис.3).
2. Нажмите на левую сторону панели, чтобы она защелкнулась (рис. 4).

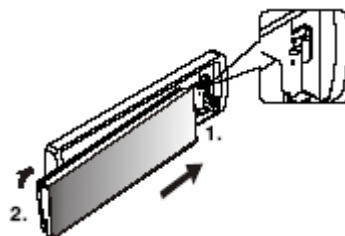


Рис. 3

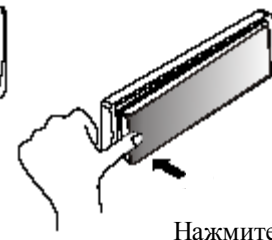


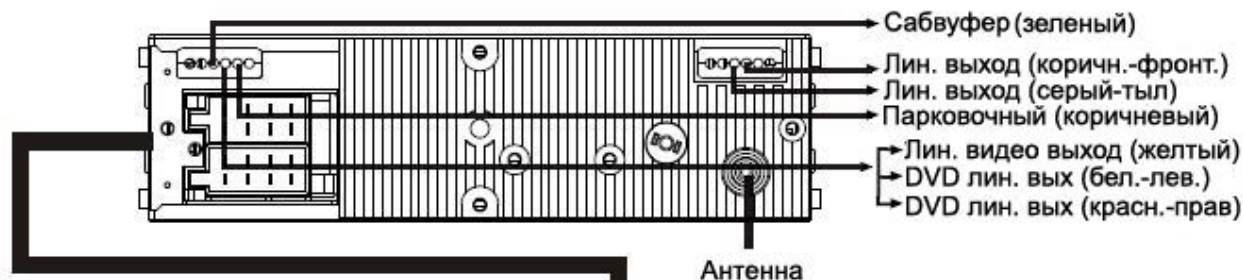
Рис. 4

### Внимание:

- Не устанавливайте съемную панель правой стороной. Это может повредить ее.
- Панель может повредиться из-за внешних факторов: тряски, ударов. После снятия ее с устройства держите панель в защитном футляре и старайтесь не ронять и не наносить физических повреждений.
- Очень важным элементом является коннектор на задней части панели. Не нажимайте на нее ногтями, ручками, отвертками.

**Примечание:** Если панель загрязнилась или запылилась, протрите ее сухой чистой тканью. Для чистки разъема в задней части панели используйте тампон, смоченный изопропиловым спиртом.

## Схема электрических соединений



A2  
Для приглушения звука в режиме телефонного разговора

A4  
для постоянного  
подключения к +12 В

A5  
управляющий провод (антенна);  
максимальный ток 300 мА

A7  
для подключения к +12 В  
во время работы двигателя.

A8  
к корпусу автомобиля ("масса")



Передние динамики

B3 правый +

B4 правый -

B5 левый +

B6 левый -

Задние динамики

B1 правый +

B2 правый -

B7 левый +

B8 левый -

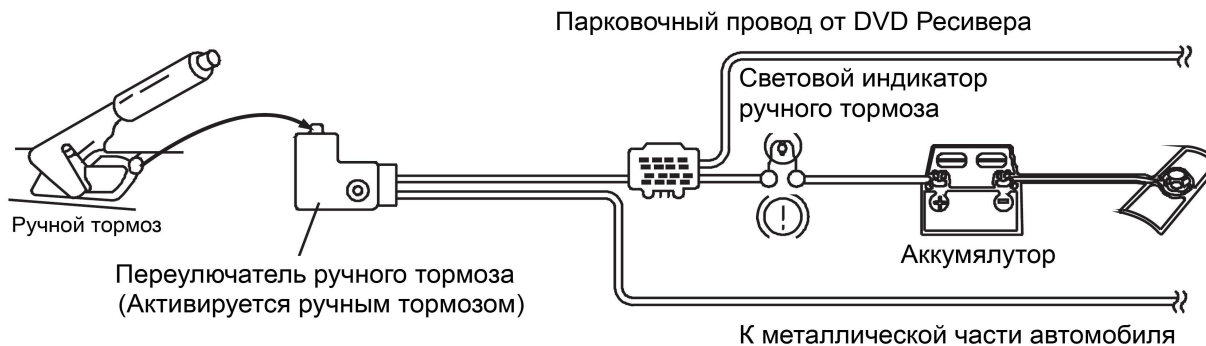
**Внимание:** Не меняйте соединения проводов!

Для некоторых моделей необходимо будет изменить соединение проводов питания. Перед установкой свяжитесь с Вашим региональным дилером.

**Примечание:** Провод A2 следует подсоединять к устройству Hands-Free (приобретается отдельно).

## Парковочный провод

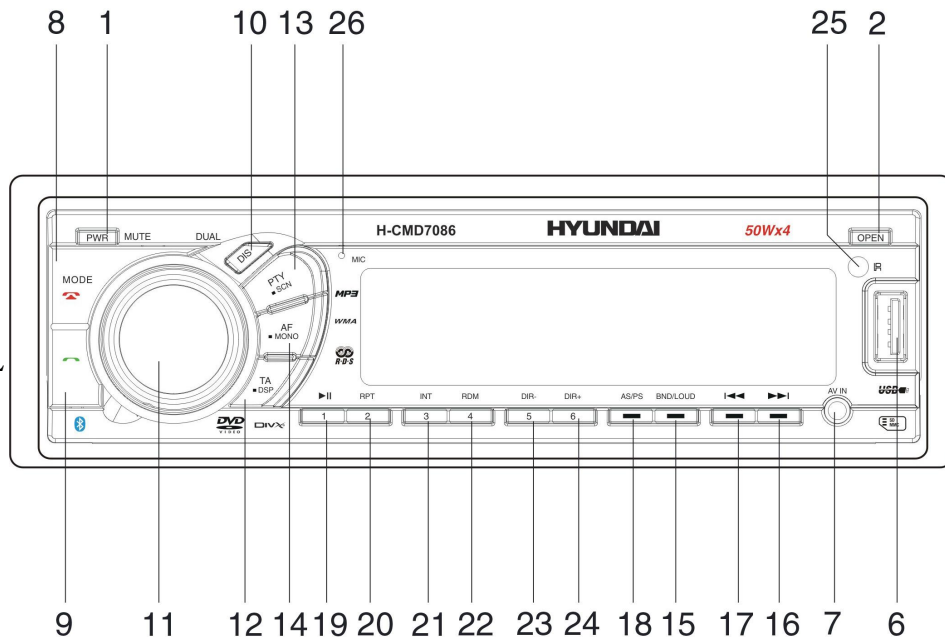
Подключение парковочного провода используется для исключения просмотра видео во время движения и подключается к контактам парковочного (ручного) тормоза, что обеспечивает включение видео изображения во время стоянки.



# Элементы управления

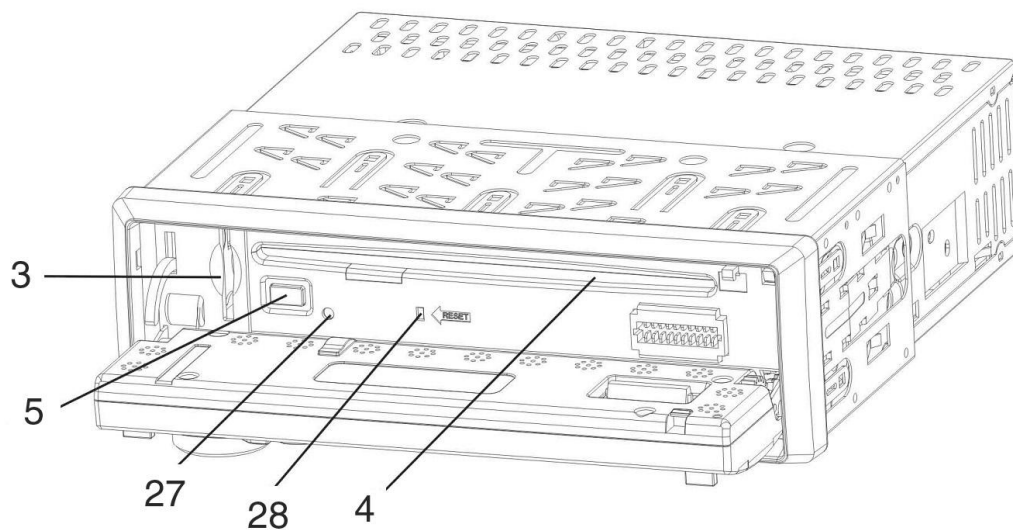
## Передняя панель

1. Кнопка PWR/MUTE
2. Кнопка OPEN
3. Слот для карт SD/MMC
4. Слот для диска
5. Кнопка EJECT
6. USB разъем
7. Вход AV
8. Кнопка MODE/REJECT CALL
9. Кнопка ACCEPT CALL
10. Кнопка DIS/DUAL
11. РегуляторVOL/кнопка SEL
12. Кнопка TA/DSP
13. Кнопка PTY/SCAN
14. Кнопка AF/MONO
15. Кнопка BAND/LOUD
16. Кнопка T-UP
17. Кнопка T-DN
18. Кнопка AS/PS
19. Кнопка 1 / PLAY/PAUSE
20. Кнопка 2 / REPEAT
21. Кнопка 3 / INTRO
22. Кнопка 4 / RANDOM



- 23. Кнопка 5 / DIR-
- 24. Кнопка 6 / DIR+
- 25. ИК сенсор
- 26. Микрофон
- 27. Индикатор
- 28. Кнопка RESET

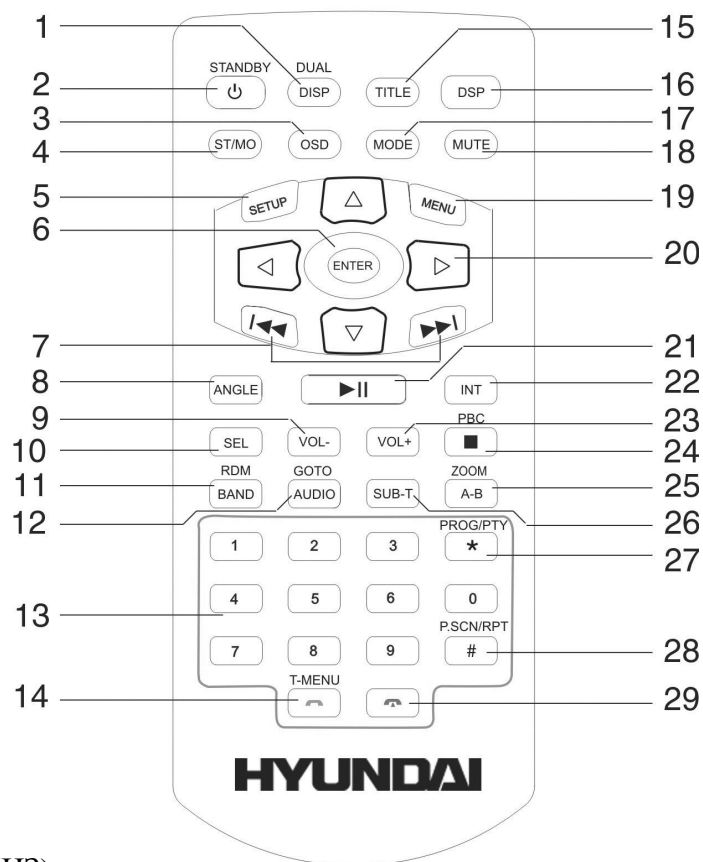
## Внутренняя панель



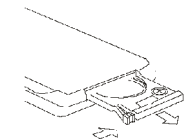


## Пульт дистанционного управления (ПДУ)

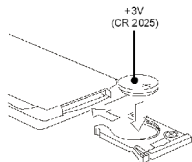
1. Кнопка DISP/DUAL
2. Кнопка STANDBY
3. Кнопка OSD
4. Кнопка ST/MO
5. Кнопка SETUP
6. Кнопка ENTER
7. Кнопка PREVIOUS/NEXT
8. Кнопка ANGLE
9. Кнопка VOL-
10. Кнопка SEL
11. Кнопка BAND/RDM
12. Кнопка AUDIO/GOTO
13. Цифровые кнопки
14. Кнопка ACCEPT CALL/T-MENU
15. Кнопка TITLE
16. Кнопка DSP
17. Кнопка MODE
18. Кнопка MUTE
19. Кнопка MENU
20. Кнопки курсора (ВЛЕВО, ВПРАВО, ВВЕРХ, ВНИЗ)
21. Кнопка PLAY/PAUSE
22. Кнопка INT
23. Кнопка VOL+
24. Кнопка STOP/PBC
25. Кнопка A-B/ZOOM
26. Кнопка SUB-T
27. Кнопка PROG/PTY
28. Кнопка P.SCN/RPT
29. Кнопка REJECT CALL



## Замена батарей в пульте управления:



1. Откройте отсек для батарей в направлении, указанном стрелкой.



2. Замените старую батарею на новую (CR 2025 3V), соблюдая полярность. Закройте отсек для батарей.

## Примечания:

- Не позволяйте детям играть с батареями.
- Неправильное использование батарей может стать причиной перегрева или возгорания, что в свою очередь ведет к пожару.
- Утечка батарей может сделать причиной повреждения пульта управления.
- Не закорачивайте полюса батареи. Не бросайте батареи в огонь.

# Основные операции

---

## Сброс настроек

При первоначальной установке устройства, после подключения или замены аккумулятора нажмите кнопку OPEN, чтобы открыть переднюю панель, затем нажмите кнопку RESET с помощью острого предмета (шариковая ручка), чтобы вернуть исходные заводские настройки устройства.

## Кнопка включения

Нажмите любую кнопку на панели или кнопку STANDBY на ПДУ, чтобы включить устройство. Для отключения устройства нажмите и удерживайте кнопку PWR на панели или кнопку STANDBY на ПДУ.

**Внимание:** При выключении устройства или зажигания автомобиля громкость звука и радио настройки будут сохранены в памяти устройства, и при включении установки вернуться к сохраненным значениям.

## Регулирование уровня громкости

Вращайте регулятор VOL/SEL на панели или нажимайте кнопки VOL+/- на ПДУ, чтобы отрегулировать уровень громкости звука.

## Регулировка настроек аудио

Нажимайте кнопку SEL, чтобы выбрать одну из настроек аудио: VOLUME (VOL) (громкость) => BASS (низкие частоты) => TREBLE (TRB) (высокие частоты) => BALANCE (BAL) (баланс между левыми/правыми динамиками) => FADER (FAD) (баланс между задними/передними динамиками). Для регулирования каждой настройки вращайте регулятор VOL/SEL.

### Внимание:

- При выключении устройства все настройки будут сохранены.
- При отключении устройства от сети или после выполнения сброса все настройки вернуться к исходным заводским значениям.
- Если в течение 6 секунд после выбора параметра Вы не выполняете никаких операций, устройство автоматически вернется в предыдущий режим.

## **Регулировка других настроек**

Во время прослушивания радио нажмите и удерживайте в течение 2 секунд кнопку SEL, чтобы войти в режим других настроек. Нажимайте кнопку SEL, чтобы выбрать один из режимов: TA SEEK => PI MUTE => RETUNE L => MASK DPI =>TA VOL => EON TA =>BEEP=> DISP REV.

### **TA SEEK/TA ALARM**

Чтобы выбрать режим TA, нажмите и удерживайте 2 секунды кнопку SEL, затем нажимайте эту кнопку, пока на дисплее не отобразится TA SEEK или TA ALARM (для переключения между этими опциями вращайте регулятор VOL). В режиме TA SEEK устройство будет искать станции, передающие информацию о дорожном движении; в режиме TA ALARM, поиск не идет, но при появлении информации о чрезвычайной ситуации на дорогах устройство активирует передачу этой информации.

### **PI SOUND/MUTE**

Чтобы выбрать режим PI SOUND/MUTE, нажмите и удерживайте 2 секунды кнопку SEL, затем нажимайте эту кнопку, пока на дисплее не отобразится PI SOUND или PI MUTE (для переключения между этими опциями вращайте регулятор VOL). PI SOUND - когда происходит частое переключение между двумя радиостанциями, то звук этих станций будет одновременно звучать в течение 1 секунды. PI MUTE - в аналогичной ситуации звук будет приглушен на 1 секунду.

### **RETUNE S/L - SHORT/LONG**

RETUNE-S или RETUNE-L – это выбор временного интервала повторного поиска в режиме TA Seek.

Retune S: короткий, интервал поиска в режиме TA SEEK 30 секунд.

Retune L: длинный, интервал поиска в режиме TA SEEK 90 секунд.

### **MASK DPI/MASK ALL**

Чтобы выбрать режим MASK DPI/MASK ALL, нажмите и удерживайте 2 секунды кнопку SEL, затем нажимайте эту кнопку, пока на дисплее не отобразится MASK DPI или MASK ALL (для переключения между этими опциями вращайте регулятор VOL/SEL). Режим MASK DPI - маскируется только станция AF, которая передает сигналы RDS, но имеет другой PI (код идентификации программы). Режим MASK ALL - маскируется станция AF, которая имеет другой PI, или не передает сигналы RDS.

**TA VOLUME** - Вращайте регулятор VOL или нажимайте кнопки VOL+/- на ПДУ, чтобы установить громкость вещания ТА информации.

**EON TA** - Вращайте регулятор, чтобы выбрать режим EON TA LO или EON TA DX. Для приема только удаленных радиостанций выберите режим EON TA LO. Для приема удаленных и местных радиостанций выберите режим EON TA DX.

**BEEP**: При активации данной функции нажатия кнопок будут сопровождаться звуковым сигналом. Нажимайте кнопку SEL, пока на дисплее не отобразится надпись BEEP, затем нажимайте кнопки VOL+/-, чтобы включить или отключить функцию BEEP (также можно установить режим при котором звуковое сопровождение активно только после нажатия и удержания кнопок).

**DISP REV**: Вращайте регулятор, чтобы выбрать цвет подсветки дисплея: черный/белый.

### **Отключение звука**

Нажмите кнопку MUTE, чтобы отключить звук. Нажмите кнопку повторно или нажмите кнопки VOL+/- на ПДУ или вращайте регулятор VOL/SEL на панели, чтобы включить звук.

### **Выбор режима работы устройства**

Нажимайте кнопку MODE, чтобы выбрать режим работы устройства: TUNER (радио) => DVD (диск) (если в устройство вставлен диск) => USB (когда USB устройство подключено к магнитоле) => SD (если к устройству подключена карта памяти) => AUX.

### **Настройка эквалайзера**

Нажмите и удерживайте кнопку TA/DSP на передней панели или нажмите кнопку DSP на ПДУ, чтобы выбрать режим эквалайзера: FLAT => CLASSICS => POP => ROCK => DSP OFF.

### **Вход AV**

Разъем предназначен для приема аудио и видео сигналов с подключенного к ресиверу внешнего устройства.

### **Дисплей**

Нажмите кнопку DIS/DUAL на ресивере или кнопку DISP/DUAL на ПДУ, чтобы вывести на дисплей текущую информацию. Порядок: Время => Радио частота =>PTY=> Выход =>.

## Операции с цифровым тюнером

---

**Внимание:** Сервис RDS (Система радио данных) доступен не во всех регионах. Имейте в виду, что если услуга RDS не доступна в Вашем регионе, то данная функция не будет работать.

### Обозначения

PI: программа идентификации кода.

PS: программа услуги наименования передаваемой станции – наименование станций отображается в алфавитном порядке.

TP: программа приема информации о дорожном движении – транслируются радиостанции, передающие информацию о дорожном движении.

TA: поиск программ о дорожном движении – показывает информацию о дорожном движении.

AF: альтернативная частота – перечень частот вещательных станций, передаваемых той же программой.

### Выбор диапазона

Нажимайте кнопку MODE, чтобы выбрать режим радио - TUNER. Нажимайте кнопку BAND, чтобы выбрать диапазон: FM1, FM2, FM3, MW1 (AM1), MW2 (AM2).

### Ручной/автоматический поиск радиостанций

- **Ручной поиск:** Выберите диапазон. Нажмите и удерживайте кнопки T-DN/T-UP на панели или кнопки PREVIOUS/NEXT на ПДУ; на дисплее отобразится надпись MANUAL (ручной поиск). Затем нажимайте кратко эти кнопки, чтобы вручную увеличить или уменьшить частоту для поиска станции.
- **Автоматический поиск:** Выберите диапазон. Нажмите кнопки T-DN/T-UP на панели или кнопки PREVIOUS/NEXT на ПДУ, чтобы начать автоматический поиск. Поиск прекратится при приеме первой станции с сильным сигналом, при этом начнется ее воспроизведение.

## **Программирование радио станций**

Вы можете хранить и воспроизводить 6 радио станций в каждом из 5 поддиапазонов, т.е. всего 30 станций (18 FM и 12 AM).

- Чтобы сохранить станцию:
  - Выберите диапазон (если нужно).
  - Выберите станцию при помощи кнопок T-DN/T-UP на панели или кнопок PREVIOUS/NEXT на ПДУ.
  - Нажмите и удерживайте в течение 2 секунд цифровую кнопку (1-6), под которым Вы бы хотели сохранить эту станцию.
- Чтобы вызвать станцию:
  - Выберите диапазон (если нужно).
  - Нажмите на кнопку с номером нужной сохраненной станции (1~6).

## **Кнопка AF/MONO**

Нажмите кнопку AF/MONO для активации функции AF. Нажмите и удерживайте эту кнопку на передней панели или нажмите кнопку ST/MO на ПДУ для переключения между режимами моно и стерео.

## **Функция автоматического сохранения станций в памяти**

Выберите диапазон. Нажмите и удерживайте кнопку AS/PS на панели в течение 2 секунд, 6 самых сильных доступных станций будут автоматически сохранены в памяти устройства под цифровыми кнопками 1-6. Чтобы остановить автоматическое сохранение, повторно нажмите кнопку AS/PS.

## **Функция автоматического сканирования станций**

Нажмите на кнопку AS/PS на панели или кнопку P.SCN/RPT на ПДУ, чтобы прослушать все сохраненные в текущем диапазоне станции в течение нескольких секунд. Чтобы остановить сканирование, повторно нажмите эту кнопку.

### **Функция TA (программы о дорожном движении)**

1. При нажатии на кнопку TA/DSP режим TA включается (ON) или выключается (OFF).
2. Нажмите и удерживайте 2 секунды кнопку SEL на панели, затем нажимайте на нее, чтобы выбрать функцию TA. Вращайте регулятор VOL, чтобы выбрать режим TA SEEK или TA ALARM.
3. Если TA или TP сигнал доступен с текущей станции, на дисплее появится символ TP. Когда функция TA/TP включена, начнется передача программы о дорожном движении, при этом на дисплее будет мигать символ TA.

### **Функция AF (Альтернативные частоты)**

Нажмите кнопку AF/MONO на панели для включения (ON) или выключения (OFF) режима AF. При включении на дисплее появится надпись «AF».

В активном режиме AF радио постоянно проверяет силу сигнала альтернативных частот, на которых может транслироваться RDS программа. Во время поиска символ AF будет мигать. Если сигнал слабый или исчезает, тюнер будет автоматически искать другую частоту с этой программой.

По умолчанию данная функция включена (ON).

### **ФункцияPTY (Тип программы)**

1. Нажимайте кнопку PTY/SCN на панели или кнопку PTY/PROG на ПДУ, чтобы выбрать группу программ: музыкальная группа => информационная группа => функция PTY Выкл.
2. При выборе типа программы нажимайте цифровые кнопки (1-6), чтобы выбрать тип программы в соответствии с таблицей:

Цифра	Музыкальная группа
1	POP M, ROCK M
2	EAST M, LIGHT M
3	CLASSICS, OTHER M
4	JAZZ M, COUNTRY M

Цифра	Информационная группа
1	NEWS, AFFAIRS, INFO
2	SPORT, EDUCATE, DRAMA
3	CULTURE, SCIENCE, VARIED
4	WEATHER, FINANCE, CHILDREN



5	NATION M, OLDIES M
6	FOLK M

5	SOCIAL, RELIGION, PHONE IN
6	TRAVEL, LEISURE, DOCUMENT

3. Начнется автоматический поиск выбранного типа программы. Если программа недоступна, начнет мигать символ РТУ.
4. Нажмите кнопку РТУ/SCN повторно, чтобы выключить функцию РТУ.

## **Используемая терминология**

---

### **РВС (управление воспроизведением)**

Управление воспроизведением – это меню, записанное на видео компакт-дисках. Использование экранного меню видео компакт-диска с РВС, позволяет Вам пользоваться простыми интерактивными программами с функциями поиска. Вы также можете просматривать неподвижные изображения с высоким разрешением.

### **Раздел**

Большой объем диска позволяет записывать несколько фильмов или роликов. Например, если 1 диск содержит 3 разных фильма (ролика), они подразделяются как Раздел 1, Раздел 2 и Раздел 3. Это позволяет Вам пользоваться удобными функциями поиска.

### **Глава**

Любой раздел может состоять из отдельных блоков, каждый из которых можно просматривать отдельно. Такой блок называется главой. В каждой главе должно содержаться не меньше одного трека.

### **Трек**

Трек – это дорожка, музыкальная или видео композиция. Например, песня, записанная на диске, является треком.

## **Воспроизведение файлов с DVD/SD/MMC/USB носителей**

---

### **Диски для воспроизведения**

- Это устройство может воспроизводить разновидности цифровых дисков: DVD/DVD±R/±RW/CD/CD-R/CD-RW.
- Совместимо с форматами: DVD/SVCD/VCD/DVD Audio/CDDA/MP3/CD/WMA/ HDCD/Picture-CD/Photo-CD/JPEG.
- Поддерживаются следующие типы файлов:
  - Аудио файлы: MP3 (\*.mp3)  
WMA (\*.wma)
  - Видео файлы: MP4 (\*.avi, DIVX3.11/4.0/5.0/6.0 and XVID)  
MPEG 2(\*.vob)  
MPEG 1(\*.dat)
  - Файлы с изображениями: JPEG (\*.jpg)
- ISO 9660 или ISO 9660 + формат Joliet - максимум 30 знаков.
- Максимальное число треков – 448.
- Максимальное число вложений - 8 уровней.
- Максимальное число альбомов – 99.
- Максимальная длина каждого трека - 99 минут 59 секунд.
- Поддерживаемая частота дискретизации для MP3 диска: от 8 кГц до 48 кГц (предпочтительно 44,1 кГц).
- Поддерживаемые скорости цифрового потока MP3 диска: 32 - 320 Кб/сек (предпочтительно 128 Кб/сек).
- Не поддерживаются следующие форматы: \*.ACC, \*.DLF, \*.M3U, \*.PLS, MP3 PRO, файлы с DRM.
- Диски с открытой сессией записи не поддерживаются.

### **Примечания по USB/SD/MMC разъемам**

Воспроизведение MP3 файлов с USB карт (флеш-память).

1. Поддержка карт памяти SD/MMC, 2 в 1 (SD/MMC).
2. Поддержка USB флеш-карты.
3. Поддержка FAT 12/ FAT 16/ FAT 32
  - FAT 12/ 16 (поддержка 200 папок, 500 файлов),
  - FAT 32 (поддержка 200 папок, 500 файлов).
1. Имя файла: 32 байта/ имя папки: 32 байта.
2. Тэг (id3tag ver 2.0)
  - Имя/ Исполнитель/ Альбом: поддержка 32 байтов.
6. Многофункциональный карт-ридер не поддерживается.
7. Поддержка формата USB 2.0.

### **Примечание:**

**USB:** Поддержка формата USB 2.0. Емкость: до 2 Гб.

**SD:** Поддержка брендов SD карт памяти: Cannon, Fuji film, Palm, Motorola, Microsoft, IBM, HP, Compaq, Sharp, Samsung и т.д. Емкость: до 2 Гб.

**MMC:** Поддержка брендов MMC карт памяти: Ericsson, Nokia, Motorola, HP, Palm, Sanyo, Microsystems и т.д. Емкость: до 2 Гб.

### **Загрузка/извлечение диска**

Включите питание устройства. Нажмите кнопку OPEN, чтобы открыть панель. Установите диск в слот маркированной стороной вверх. Нажмите кнопку EJECT, чтобы извлечь диск.

### **Установка устройств SD/MMC/USB**

Установите SD/MMC карту или USB устройство в соответствующий слот. Магнитола автоматически перейдет в соответствующий режим. Начнется воспроизведение первого трека установленного устройства.

**Внимание:** Если было установлено сразу два устройства, магнитола перейдет в режим того, которое было установлено последним.

### **Воспроизведение/Пауза**

После установки диска, карты памяти или USB носителя в устройство начинается автоматическое воспроизведение первого трека на носителе. Чтобы обеспечить высокое качество воспроизведения, дождитесь, пока плеер закончит читать диск, а затем начинайте воспроизведение. Если Вы хотите начать воспроизведение немедленно, нажмите кнопку PLAY/PAUSE. Во время воспроизведения нажмите кнопку PLAY/PAUSE, режим паузы активируется. Нажмите кнопку PLAY/PAUSE повторно, чтобы возобновить воспроизведение.

**Примечание:** картинки Jpeg с большим расширением могут открываться с запозданием или заторможено.

### **Переход к предыдущему или следующему треку**

Во время воспроизведения нажмите кнопку PREVIOUS, чтобы начать воспроизведение предыдущего трека. Нажмите кнопку NEXT, чтобы перейти к следующему треку.

### **Ускоренное воспроизведение вперед или назад**

Во время воспроизведения нажмите и удерживайте кнопки PREVIOUS/NEXT для ускоренного воспроизведения назад или вперед.

**Внимание:** Когда ускоренное воспроизведение достигает начала следующего трека, возобновляется нормальный режим воспроизведения.

### **Выбор папки**

В MP3 режиме нажимайте кнопки 5/DIR-, 6/DIR+ чтобы выбрать нужную папку.

### **Функция Loudness**

Нажмите и удерживайте кнопку BAND/LOUD, чтобы включить или выключить функцию “Loud”, которая компенсирует недостаточность низких и высоких частот на малой громкости.

### **Повтор воспроизведения**

Во время воспроизведения нажимайте кнопку RPT, чтобы выбрать режим повторного воспроизведения:  
Для MP3: ФАЙЛ (повтор трека) => ПАПКА (повтор папки) => ВСЕ (повтор всего).

Для DVD: РАЗДЕЛ (повтор раздела) => ГЛАВА (повтор главы).

Для CD: ДИСК (повтор диска) => ДОРОЖКА (повтор трека).

**Примечание:** чтобы выбрать повтор папки или повтор раздела, нажмите и удерживайте кнопку RPT.

### **Изменение угла просмотра (только для DVD дисков)**

Если DVD-диск поддерживает демонстрацию сцен с различных точек съемки, нажмите кнопку ANGLE на ПДУ для включения данной функции. Если диск не поддерживает многоугловое воспроизведение, эта функция не будет работать.

### **Выбор языка аудио**

Если DVD-диск поддерживает несколько языков аудио, нажимайте кнопку AUDIO на ПДУ, чтобы выбрать нужный язык.

#### **Выбор канала (для VCD дисков)**

Нажимайте кнопку AUDIO, чтобы выбрать канал: L-mono (левый моно) => R-mono (правый моно) => Mix mono (смешанное моно) => Stereo (стерео).

#### **Выбор языка субтитров (для DVD дисков)**

Нажимайте кнопку SUB-T на ПДУ, чтобы выбрать нужный язык отображения субтитров, если данная опция поддерживается диском.

#### **Изменение масштаба изображения (для DVD/VCD дисков)**

Во время воспроизведения нажмите и удерживайте кнопку A-B/ZOOM на ПДУ. Масштаб изображения будет изменяться в следующем порядке: X2=> X3=> X4=> X1/2=> X1/3=> X1/4=> стандартное.

#### **Повторное воспроизведение фрагмента (A-B)**

Нажмите кнопку A-B/ZOOM, чтобы установить точку начала фрагмента (A), нажмите кнопку повторно, чтобы установить точку окончания фрагмента (B); начнется повторное воспроизведение выбранного фрагмента. Нажмите эту кнопку для возврата к нормальному воспроизведению.

#### **Отображение информации на экране**

Нажимайте кнопку OSD на ПДУ, чтобы отобразить на экране информацию о воспроизведении. Такая информация может включать в себя следующие данные: количество треков, истекшее время воспроизведения текущего трека/главы, оставшееся время воспроизведения текущего трека/главы, полное истекшее время воспроизведения, полное оставшееся время.

## **Работа с меню (для DVD дисков)**

### Меню разделов

- Нажмите кнопку TITLE на ПДУ, чтобы отобразить меню разделов на дисплее.
- Выберите нужный раздел.
- Нажмите кнопку ENTER или кнопку PLAY/PAUSE, чтобы подтвердит выбор и начать воспроизведение.

## **PBC (управление воспроизведением) (только для VCD дисков)**

Если вы используете VCD диск с функцией PBC, автоматически начинается воспроизведение с начала первого трека.

1. Нажмите кнопку STOP/PBC на ПДУ, чтобы во время воспроизведения активировать интерактивное меню на экране.
2. Если меню состоит из списка разделов, Вы можете непосредственно выбирать нужные разделы при помощи кнопок с цифрами или кнопок курсора на ПДУ.
3. При вводе номера раздела воспроизведение начнется автоматически, при выборе раздела нажмите кнопку PLAY/PAUSE, чтобы подтвердить выбор и начать его воспроизведение.
4. Нажмите кнопку STOP/PBC, чтобы возвратиться к меню диска.
5. Нажмите и удерживайте кнопку STOP/PBC, чтобы выйти из меню.

## **Программирование воспроизведения**

Нажмите кнопку PROG/PTY на ПДУ, чтобы открыть меню программирования воспроизведения. Нажимайте кнопки с цифрами, чтобы выбрать номер трека, затем с помощью кнопок курсора установите курсор на пункт PLAY.

Нажмите кнопку ENTER для запуска воспроизведения программы. Вы можете выбрать пункт СБРОС, чтобы отменить программирование. Нажмите кнопку PROG/PTY, чтобы выйти из меню программирования.



### **GOTO (переход к заданному параметру)**

Нажмите и удерживайте кнопку AUDIO/GOTO при воспроизведении DVD диска, чтобы войти в режим GOTO и введите номер/время главы/трека.

### **Кнопка MENU**

Нажмите кнопку MENU при воспроизведении DVD диска для отображения меню диска.

### **Функция Intro**

Нажмите кнопку INT для включения функции Intro (воспроизведение первых 10 секунд каждого трека). В режиме просмотра Jpeg нажмите эту кнопку, чтобы открыть фотоальбом из 6 фото.

### **Двухзонный режим**

При воспроизведении DVD диска нажмите и удерживайте кнопку DIS/DUAL на панели или кнопку DUAL на ПДУ для активации двухзонного режима. Нажмите кнопку MODE, чтобы выбрать режим тюнера для передней зоны; в передней зоне будет воспроизводиться DVD диск (только при правильно выполненном подключении).

### **Воспроизведение в произвольном порядке**

Нажмите кнопку RDM, чтобы включить функцию воспроизведения в произвольном порядке.

В режиме MP3 простое нажатие RDM приводит к произвольному воспроизведению файлов по всему диску, а при удержании клавиши RDM к произвольному воспроизведению только внутри одной папки.

# Обзор MP3 и WMA

---

## Примечания по MP3 и WMA:

- MP3 это краткое обозначение аудио слоя MPEG 3 и относится к стандарту технологии сжатия звука.
- Данное изделие позволяет воспроизводить файлы MP3 на дисках CD-ROM, CD-R или CD-RW.
- Изделие может считывать файлы MP3, записанные в формате, соответствующем ISO 9660. Однако оно не поддерживает данные MP3, записанные методом пакетной записи.
- Изделие не может считывать файлы MP3, которые имеют расширение файла, отличающееся от “.mp3”.
- Если вы воспроизводите не MP3 файл, который имеет расширение “.mp3”, вы можете слышать некоторые шумы.
- В данном руководстве мы рассматриваем файлы, называемые “файлами MP3” и “папкой”, а в технологии PC “дорожкой” и “альбомом” соответственно.
- Максимальное количество уровней директории равно 8, включая корневую директорию. Максимальное количество файлов и папок на диске 256.
- Изделие может не воспроизводить дорожки в последовательном порядке.
- Изделие воспроизводит только аудио треки, если диск содержит как аудио треки, так и файлы MP3.
- При воспроизведении диска 8 килобит или VBR, истекшее время воспроизведения в окне дисплея будет неправильным, а также ознакомительное воспроизведение может не действовать надлежащим образом. VBR: Переменная скорость передачи битов.
- Устройство поддерживает воспроизведение WMA файлов. Воспроизведение ID3 тегов для формата WMA не является гарантированным, так как это зависит от версий и наличия кириллицы.
- WMA (Windows Media Audio) – формат сжатия музыкальных данных, созданный Microsoft Corporation. Формат использует алгоритмы кодирования для сжатия исходной аудиозаписи,

значительно уменьшая размеры файла, но, сохраняя хорошее качество звука даже при низких (например, 64 Кбит/сек) скоростях передачи данных (битрейтах).

- Помните, что изделие может не воспроизводить треки в том порядке, в котором они записаны на диске.

#### **Замечание по созданию собственных CD-R или CD-RW, содержащих файлы MP3:**

- Для получения высокого качества звука мы рекомендуем преобразовывать файлы MP3 с эталонной частотой 44,1 кГц и фиксированным битрейтом 128 Кбит/сек.
- НЕ сохраняйте более 256 файлов MP3 на диске.
- Для формата, совместимого с ISO 9660, максимально допустимая глубина вложенных папок равняется 8, включая корневую директорию (папку).
- При использовании диска CD-R воспроизведение возможно только для дисков, которые были закончены.
- Убедитесь, что при записи MP3 CD-R или CD-RW были отформатированы как диски данных, а НЕ как аудио диски.
- Вы не должны записывать не-MP3 файлы или ненужные папки вместе с файлами MP3 на диск, в противном случае потребуется много времени, пока изделие начнет воспроизводить файлы MP3.
- На некоторых CD-R или CD-RW данные могут не быть записаны надлежащим образом в зависимости от качества их производства. В этом случае данные могут быть воспроизведены не надлежащим образом. Рекомендуются диски CD-R или CD-RW высокого качества.
- Имя альбома или композиции может содержать до 16 символов. Необходима версия 1.x ID3TAG.
- WMA (Windows Media Audio) – формат сжатия музыкальных данных, созданный Microsoft Corporation. Формат использует алгоритмы кодирования для сжатия исходной аудиозаписи, значительно уменьшая размеры файла, но, сохраняя хорошее качество звука даже при низких (например, 64 Кбит/сек) скоростях передачи данных (битрейтах).
- Помните, что изделие может не воспроизводить треки в том порядке, в котором они записаны на диске.

# Настройки DVD

Нажмите кнопку SETUP, чтобы войти в меню настроек DVD. Нажмите кнопку SETUP, чтобы войти в главное меню настроек системы; нажимайте левую или правую кнопки курсора для выделения пункта меню и выберите одну из страниц настроек: Язык, Дисплей, Аудио, Родительское ограничение

**Примечание:** Меню настроек DVD доступно только если к ресиверу подключен внешний монитор.

## Настройка языка

Нажмите кнопку SETUP, затем кнопку ENTER, чтобы войти в меню настроек языка.

- **Установка языка меню OSD**

С помощью этой функции выберите язык экранного меню (OSD) - один из 6 языков, который будет отображаться на дисплее Вашего экрана.

- **Установка языка субтитров**

С помощью этой функции вы можете выбрать предпочитаемый язык субтитров. Когда нужный язык будет выбран на диске и записан, он будет воспроизводиться автоматически. Если Вы не выберете язык, то в этом случае будет воспроизводиться первый язык, записанный на диске.

- **Установка языка аудио**

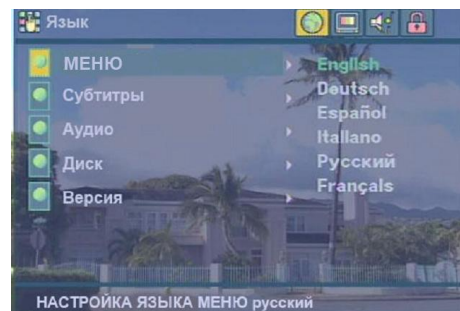
Из языков, содержащихся на DVD-диске, выбирает язык звукового сопровождения для него. Если вы не выбрали язык, то в этом случае будет воспроизводиться первый язык, записанный на диске.

- **Установка языка меню Диск**

Из языков, содержащихся на DVD-диске, выберите нужный язык его меню. Если вы не выбрали язык, в этом случае будет воспроизводиться первый язык, записанный на диске.

- **Версия прошивки**

С помощью этой опции вы можете узнать версию прошивки устройства.



## Настройки дисплея

- **ТВ формат**

Настройка соотношения сторон TFT экрана:

Предусмотрены три режима работы экрана с разным соотношением сторон: Обычный/PS (4:3 Pan Scan), Обычный/LB (4:3 Letterbox) и Широкий (16:9). При воспроизведении дисков разных форматов изображение будет отличаться в зависимости от этих настроек и размера экрана.

- **ТВ система**

Выберите систему телевидения в меню настроек.

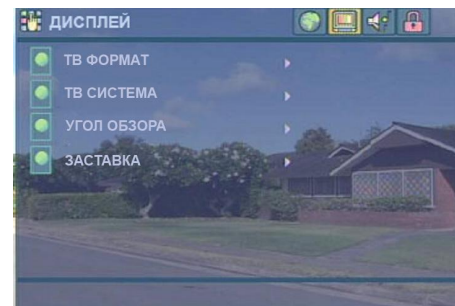
**Примечание:** PAL обычно используется в Европе, NTSC – в США и Японии. Auto обычно используется автоматически.

- **Угол обзора**

Если вы выбрали эту функцию, то при воспроизведении формата DVD на экране отобразится метка угла. Это позволяет просматривать DVD с функцией переключения угла ракурса изображения.

- **Заставка**

Если вы выбрали эту функцию, то при воспроизведении формата DVD экран входит в режим хранителя экрана при остановке воспроизведения более чем на 3 минуты.



## Настройки аудио

- **Микширование**

Нажмите кнопку ENTER, чтобы войти в подменю. Если вам нужен аналоговый стереосигнал, выберите режим воспроизведения аудио «STEREO». Если вам нужен стереорежим Dolby Pro Logic (декодируемый сигнал создает двухканальный эффект реальности), выберите «LT/RT».



- **Двойное моно**

Выберите режим выхода левого и правого каналов. Stereo – обычный стереорежим; L-Mono – весь звук воспроизводится левым каналом; R-Mono - весь звук воспроизводится правым каналом. Функция «Mix-Mono» доступна только при производстве диска DVD в формате DTS 5.1.

- **Динамический диапазон**

Данная функция предназначена для настройки уровня динамической компрессии звукового сигнала. Стандартная настройка – «OFF» (ВЫКЛ.).

### **Установка родительского ограничения:**

- **Пароль:**

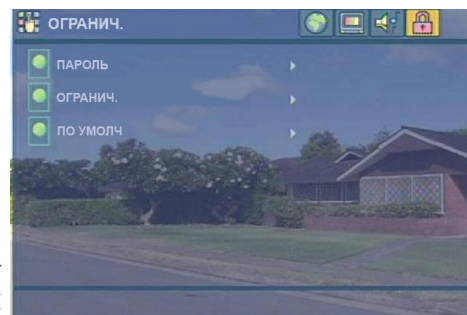
С помощью этой опции вы можете изменять уровень защиты пароля. Пароль по умолчанию 0000.

- **Родительское ограничение:**

Для DVD дисков с функцией рейтинга родители могут устанавливать запрет на просмотр диска, содержание которого может быть недопустимо для детей. (используйте кнопки курсора ВЛЕВО/ВПРАВО для выбора кода, затем введите пароль для подтверждения).

- **Установки по умолчанию:**

С помощью этой опции вы можете отменить установленные вами настройки и вернуть установки по умолчанию.



<b>Значение</b>	<b>Описание</b>
<b>1.</b>	Нет ограничений для детей
<b>2.G</b>	Допускаются зрители всех возрастов.
<b>3.PG</b>	Рекомендуется присутствие родителей. Некоторый материал, возможно, не подходит для детей.
<b>4.PG-13</b>	Настоятельное предостережение родителям. Некоторый материал может быть неподходящим для детей до 13 лет.
<b>5.PG-R</b>	Ограничение. Подростки до 17 лет допускаются на фильм только в сопровождении родителей
<b>6.R</b>	Ограничение. Подростки до 17 лет допускаются на фильм только в сопровождении родителей
<b>7.NC-17</b>	Лица, не достигшие 17 лет, на фильм не допускаются
<b>8.Взрослые</b>	Допускаются лица только старше 17 лет

## Операции с Bluetooth (опция)

---

### Описание:

1. Версия Bluetooth V2.0 EDR
2. Поддержка HFP (Hands Free Profile) - профиль “свободные руки”, A2DP (Advanced Audio Distribution Profile) профиль передачи стерео звука, AVRCP (Audio/Video Remote Control Profile) профиль дистанционного управления аудио и видео.
3. Система подавления эха и шумов
4. Набор номера
5. Отображение входящего и исходящего номера телефона
6. Список звонков
7. Телефонная книга

### Установка соединения

Подготовьте ваш телефон к подключению к ресиверу через Bluetooth (для подробной информации смотрите инструкцию по эксплуатации на ваш мобильный телефон).

Запустите на вашем телефоне поиск Bluetooth устройств. В списке появится название ресивера (КВТ), выберите его, введите пароль “8888” и подтвердите, подключение завершено. На дисплее ресивера появится соответствующий значок.

**Примечание:** Убедитесь в том, что подключенный мобильный телефон находится на рабочем расстоянии (пр. 2 метра) от ресивера для нормальной работы Bluetooth.

### Основные операции с Bluetooth



Ответ на входящий вызов: нажмите кнопку ACCEPT ALL” ”, чтобы ответить на звонок.

Отклонение вызова: нажмите кнопку REJECT CALL ” ”, чтобы отклонить вызов.


Отбой: нажмите кнопку REJECT CALL ” ” во время разговора, для того чтобы закончить разговор.




## **Набор номера**

Нажмите кнопку АССЕПТ CALL” ”, на дисплее отобразится символ “\_”, нажимайте цифровые кнопки, чтобы ввести номер телефона (нажимайте кнопку SEL на панели или кнопку курсора ВЛЕВО на ПДУ, чтобы стереть цифру), нажмите кнопку АССЕПТ CALL” ” еще раз, чтобы набрать номер.

## **Список входящих звонков**

Нажмите кнопку АССЕПТ CALL” ” на дисплее отобразится “\_”, нажмите эту кнопку еще раз, чтобы отобразить последний номер (входящий или исходящий), затем нажимайте кнопки T-UP/T-DN, чтобы отобразить входящие и исходящие звонки (максимум 12). Нажимайте кнопку SEL на панели или кнопку курсора ВЛЕВО на ПДУ, чтобы удалить номер.

**Примечание:** Во время просмотра списка звонков вы можете нажать кнопку АССЕПТ CALL ” ”, чтобы набрать любой номер из списка.

## **A2DP**

A2DP профиль с помощью которого передается аудио сигнал с мобильного телефона на ресивер. (Прослушивание музыки на ресивере через Bluetooth с вашего мобильного телефона).

Для того чтобы активировать эту функцию подключите ваш телефон к ресиверу через Bluetooth профиль A2DP (для подробной информации смотрите инструкцию по эксплуатации на ваш мобильный телефон).

**Примечание:** Функция будет работать только в том случае, если ваш телефон поддерживает профиль A2DP.

## **AVRCP**

Во время прослушивания музыки через профиль A2DP, вы можете управлять воспроизведением. Нажмите кнопку 1/PAUSE один раз, чтобы поставить воспроизведение на паузу, нажмите еще раз чтобы возобновить воспроизведение. Нажмите кнопку NEXT, чтобы выбрать следующую композицию, нажмите кнопку PREVIOUS чтобы выбрать предыдущую композицию.

**Примечание:** В зависимости от телефона и программы для воспроизведения аудио-композиции на вашем телефоне часть функций этого профиля может не поддерживаться.

### **Авто-подключение**

При разрыве связи (при условии, что функция Bluetooth активирована на вашем телефоне), когда благоприятные условия восстановятся (пр. рабочее расстояние, нет преград), связь восстановится автоматически, поиск будет продолжаться в течение одной минуты, если в течение этого времени последний подключенный до разрыва связи телефон не будет найден, поиск прекратиться. Если устройства не подключены, а функция Bluetooth активирована, нажмите кнопку T-MENU, чтобы включить функцию авто-подключения, последний телефон, который был подключен к ресиверу, будет найден и переподключен.

### **Примечание:**


Функциональность Bluetooth может быть ограничена характеристиками мобильного телефона. Вследствие этого некоторые функции могут не активироваться или телефон не сможет подключиться к ресиверу.

### **Телефонная книга (может содержать максимум 250 номеров)**


Нажмите кнопку АССЕПТ CALL “☞”, на дисплее будет мигать символ “\_”, затем нажмите кнопку с цифрой 1, затем снова нажмите АССЕПТ CALL “☞” для отображения латинской буквы А; нажимайте кнопки T-UP/T-DN для отображения по очереди всех букв латинского алфавита А-Z (представляющих первую букву имени абонента) и символа “\*” (представляющего первую букву имени, не входящую в латинский алфавит). Затем нажмите кнопку АССЕПТ CALL “☞” для подтверждения; на дисплее отобразится имя абонента, начинающееся с выбранной буквы, если такое имя есть в телефонной книге (если такого имени в книге нет, на дисплее отобразится имя абонента, начинающееся со следующей буквы латинского алфавита). Затем нажмите кнопку АССЕПТ CALL “☞” для отображения телефонного номера абонента, нажмите кнопку повторно, чтобы выполнить набор этого номера (чтобы вернуться к последнему действию, нажмите кнопку REJECT CALL “☞”).

Введение и сохранение контакта:

Нажмите кнопку АССЕПТ CALL “☞”, на дисплее будет мигать символ “\_”, затем нажмите комбинацию #->1->2->3->4->#, по истечении 6 секунд на дисплее отобразится “Input” («ввод»). Затем с

помощью кнопок мобильного телефона выполните передачу контактов на устройство; при отображении на дисплее имени контакта нажмите кнопку ACCEPT CALL “

Удаление контактов:

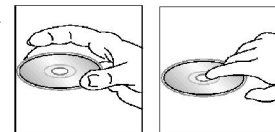
Нажмите кнопку ACCEPT CALL ”

**Примечание:** Когда вы переносите контакты с мобильного телефона на ресивер, Bluetooth соединение разрывается. После того как вы перенесли контакты, в зависимости от модели мобильного телефона, некоторые из них могут автоматически подключиться к ресиверу, а некоторые соответственно не могут. В таком случае вам следует переподключить Bluetooth на ресивере и мобильном телефоне.

## Обращение с дисками

---

- Грязные, поцарапанные или погнутые диски могут вызвать искажение звука или шумы
- Держите диск только за края (как показано на рисунке). Чтобы обеспечить чистоту, не прикасайтесь к его поверхности.
- Диски должны храниться в их чехлах после использования, чтобы не поцарапать их поверхность.
- Не подвергайте диски действию прямого солнечного света, повышенной влажности, повышенным температурам или действию пыли.
- Продолжительное влияние предельных температур может изогнуть диск (например, пребывание дисков в автомобиле в летнее время).
- Не царапайте и не пишите что-либо на любой стороне диска. Острые пишущие инструменты или чернила, используемые в них, могут повредить поверхность диска.
- Не оставляйте никаких следов на рабочей стороне диска.
- Не прикрепляйте этикетки или стикеры к любой стороне диска.

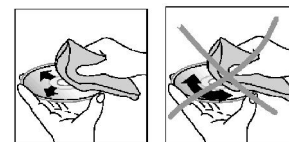


## Чистка и уход

---

### Чистка корпуса

Протирайте мягкой тканью. Если корпус очень загрязнен (не мочите его), используйте мягкую ткань.



### Чистка дисков

Отпечатки пальцев должны быть тщательно стерты с поверхности диска мягкой тканью. В отличие от обычных пластинок, компакт-диски не имеют канавок для сбора пыли и микроскопических частиц грязи, поэтому их можно легко отчистить мягкой тканью. Вытирайте прямолинейным движением от центра к краю. Никогда не используйте растворитель, бензин, очиститель пластинок или антистатический аэрозоль для чистки дисков. Такие химические вещества могут повредить его пластиковую поверхность.

## Руководство по устранению неисправностей

Неисправность	Причина	Решение
Нет питания	Зажигание машины не включено.  Сгорел предохранитель.	Если источник питания подключен надлежащим образом к выключателю машины, установите ключ зажигания в положение “ACC”. Замените предохранитель.
Невозможно загрузить диск	В плеер установлен диск.	Удалите диск из плеера, затем установите новый.
Невозможно считать диск (на дисплее отображается “ERROR2”)	Диск установлен верхней стороной вниз. Диск загрязнен или имеет дефект.  Температура внутри машины очень высокая.	Установите компакт диск стороной с этикеткой вверх. Очистите диск или установите новый. Подождите, пока температура не станет нормальной.
Невозможно считать карту памяти SD/MMC. (на дисплее отображается “ERROR8”)	Металлические детали карты заржавлены, загрязнены или имеют дефекты.	Почистите металлические детали или используйте другую карту памяти.
Невозможно считать USB носитель. (на дисплее отображается “S-STOP”)	Металлические детали носителя заржавлены, загрязнены или имеют дефекты.	Почистите металлические детали или используйте другой носитель.
Нет звука	Звук установлен на минимум.  Кабель не подключен надлежащим образом.	Отрегулируйте звук до необходимого уровня. Проверьте подключение кабеля.

Не действуют кнопки	Встроенный микрокомпьютер не работает надлежащим образом из-за шумов. Передняя панель не установлена на свое место.	Нажмите кнопку RESET.  Повторно установите переднюю панель.
Звук пропадает	Угол установки устройства более 30 градусов. Диск загрязнен или имеет дефект.	Отрегулируйте угол установки, установив его менее 30 градусов. Очистите диск или установите новый.
Радио не работает. Не работает автоматический выбор радиостанции	Антенный кабель не подключен. Сигналы слишком слабы.	Вставьте антенный кабель надежно. Выберите станцию вручную.

## Технические характеристики

Общие	
Источник питания:	12 В
Потребляемый ток/Предохранитель:	Максимум 15 А
Носители:	DVD/DVD±R/DVD±RW/CD/CD-R/CD-RW/USB/SD/MMC
Поддерживаемые форматы:	DVD/VCD/MPEG4/CDDA/MP3/WMA/HDCD/Picture-CD/Photo CD/JPEG
Максимальная выходная мощность:	50 Вт x 4 канала
Размеры (Д x Ш x В):	178 x 175 x 50 мм
Рабочий диапазон температур:	-10°C - +60°C
Сtereo FM радио	
Частотный диапазон:	87.5 - 108.0 МГц
Используемая чувствительность	15 мкВ
Память цифрового тюнера	18 станций
MW (AM) радио	
Частотный диапазон:	522-1620 КГц
Память цифрового тюнера	12 станций
Частотный диапазон:	20 Гц – 20 КГц
Уровень сигнал-шум (A-vtd):	60 дБ
DSP процессор	Classic, Rock, Pop, Flat
Линейный выход	Два линейных RCA-выхода (2В)
Bluetooth	Версия 2

Технические характеристики могут быть изменены заводом-изготовителем без предварительного уведомления. Указанные геометрические размеры имеют приблизительные значения.

