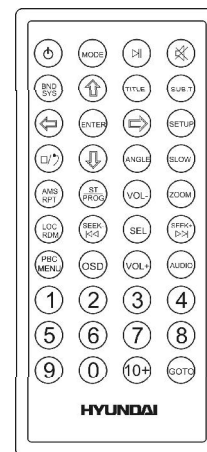
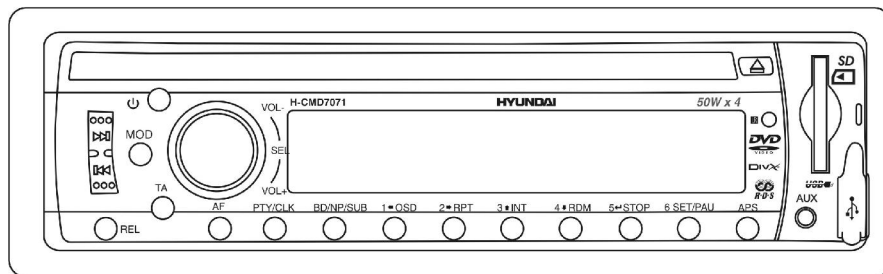


HYUNDAI

H-CMD7071



DVD/MP3/CD RECEIVER
Instruction manual

DVD/MP3/CD-РЕСИВЕР
Руководство по эксплуатации

Dear customer!

Thank you for purchasing our product. For safety, it is strongly recommended to read this manual carefully before connecting, operating and/or adjusting the product and keep the manual for reference in the future.

Table of contents

TABLE OF CONTENTS	2
IMPORTANT SAFEGUARDS	3
ACCESSORIES.....	4
INSTALLATION/CONNECTIONS	5
CONTROLS DESCRIPTION	9
GENERAL OPERATIONS.....	12
RADIO OPERATIONS	14
DISC OPERATIONS.....	18
MP3 OVERVIEW	23
SYSTEM SETUP	25
ANTI-THEFT SYSTEM.....	28
CLEANING	29
TROUBLESHOOTING GUIDE	30
SPECIFICATION.....	31

Important safeguards

- Using the device at temperature below -10°C may cause the breakage of the device. Before using please heat up the passenger compartment to the recommended temperature!
- Read carefully through this manual to familiarize you with this high-quality sound system.
- Disconnect the vehicle's negative battery terminal while mounting and connecting the unit.
- When replacing the fuse, be sure to use one with an identical amperage rating. Using a fuse with a higher amperage rating may cause serious damage to the unit.
- Do not use the unit in places where it can be exposed to water, moisture and dust.
- Do not attempt to disassemble the unit. Laser beams from the optical pickup are dangerous to the eyes.
- Make sure that pins or other foreign objects do not get inside the unit; they may cause malfunctions, or create safety hazards such as electrical shock or laser beam exposure.
- If you have parked the car for a long time in hot or cold weather, wait until the temperature in the car becomes normal before operating the unit.
- Do not open covers and do not repair yourself. Consult the dealer or an experienced technician for help.
- Make sure you disconnect the power supply and aerial if you will not be using the system for a long period or during a thunderstorm.
- Make sure you disconnect the power supply if the system appears to be working incorrectly, is making an unusual sound, has a strange smell, has smoke emitting from it or liquids have got inside it. Have a qualified technician check the system.
- The unit is designed for negative terminal of the battery, which is connected to the vehicle metal. Please confirm it before installation.
- Do not allow the speaker wires to be shorted together when the unit is switched on. Otherwise it may overload or burn out the power amplifier.
- Do not install the detachable panel before connecting the wire.

Accessories

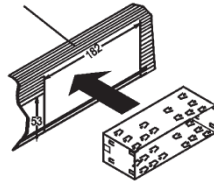
- | | |
|---------------------------|-------|
| 1. Receiver | 1 pc |
| 2. Remote controller | 1 pc |
| 3. Carrying case | 1 pc |
| 4. ISO connector | 1 pc |
| 5. Mounting parts: | |
| Hexagon nut M5 T (3.5 mm) | 1 pc |
| Mounting box (0.6 mm) | 1 pc |
| Left key (1.0 mm) | 1 pc |
| Right key (1.0 mm) | 1 pc |
| Metal bar (0.8 mm) | 1 pc |
| Plain washer (5 mm) | 1 pc |
| Outer trim ring | 1 pc |
| Spring washer (5 mm) | 2 pcs |
| Screw (5X5 mm) | 4 pcs |
| Screw (5X25 mm) | 1 pc |
| Screw M5 (5X29.3 mm) | 1 pc |
| 6. Customer information | 1 pc |
| 7. Warranty card | 1 pc |
| 8. Instruction manual | 1 pc |

Installation/Connections

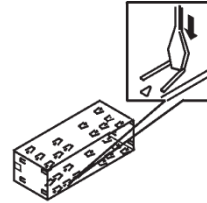
First complete the electrical connections, and then check them for correctness.

Installation way (method 1)

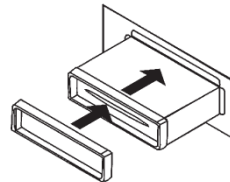
It is an anti-theft installation way. The chassis wear a metal sliding housing. Please have the wiring connection of the power supply, speakers and antenna as for the requirement of the manual, and then install the metal sliding housing into the car according to the diagram.



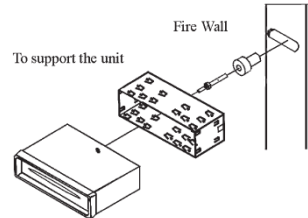
1. After removing the old radio and mounting sleeve, insert supplied mounting sleeve into opening.



2. Bend the tabs on the mounting sleeve to keep the mounting sleeve firmly in place.



3. Attach wires from the unit to existing wires. See wiring connections diagram. Insert radio into dashboard. Then apply the trim frame to outside of radio.



4. Support radio using supplied rear mounting bolt and steel bar. See parts list.

Installation way (method 2)

Installation using the screw holes at both sides of the unit.

1. Select a position where the screw holes of the main unit are fitted for aligned, and tighten the screws at 2 positions at each side.

Use either truss screws (5 x 8mm) or flush surface screws (4 x 8mm), depending on the shape of the screw holes in the bracket.

2. Screw.
3. Factory radio mounting bracket.
4. Dashboard or Console.
5. Hook (Remove this part).

Note: The mounting box, outer trim ring, and the Half-sleeve are not used for this method of installation.

Caution:

The control panel can easily be damaged by shocks. After removing it, place it in a protective case and be careful not to drop it or subject it to strong shocks.

The rear connector that connects the main unit and the control panel is an extremely important part. Be careful not to damage it by pressing on it with fingernails, pens, screwdrivers, etc.

Note:

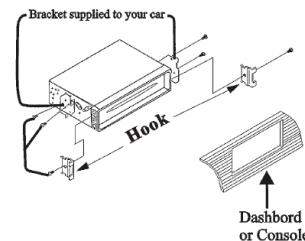
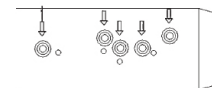
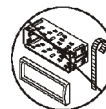
If the control panel is dirty, wipe off the dirt with soft, dry cloth only. And use a cotton swab soaked in isopropyl alcohol to clean the socket on the back of the control panel.

Electrical connections

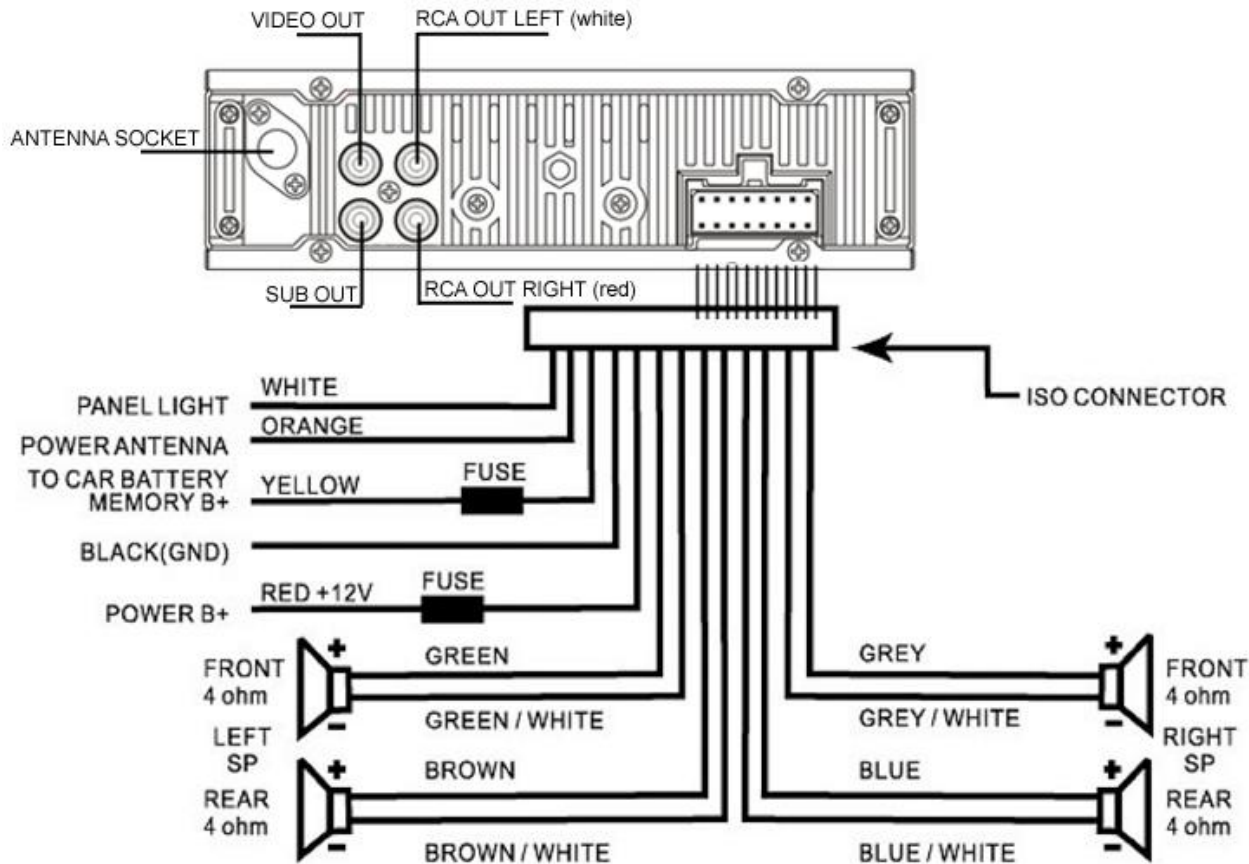
Speaker wiring notes

Follow the above wiring diagram to install the head unit with new or existing speakers.

- This unit is designed for use with four (4) speakers with an impedance between 4 Ohms to 8 Ohms.
- An impedance load of less than 4 Ohms could damage the unit.
- Never bridge or combine the speaker wire outputs. When not using four speakers, use electrical tape to tape the ends of the unused speaker outputs to prevent a short circuit.
- Never ground the negative speaker terminals to chassis ground.

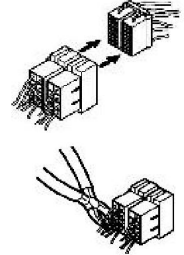


Connection diagram:



Using the ISO Connector

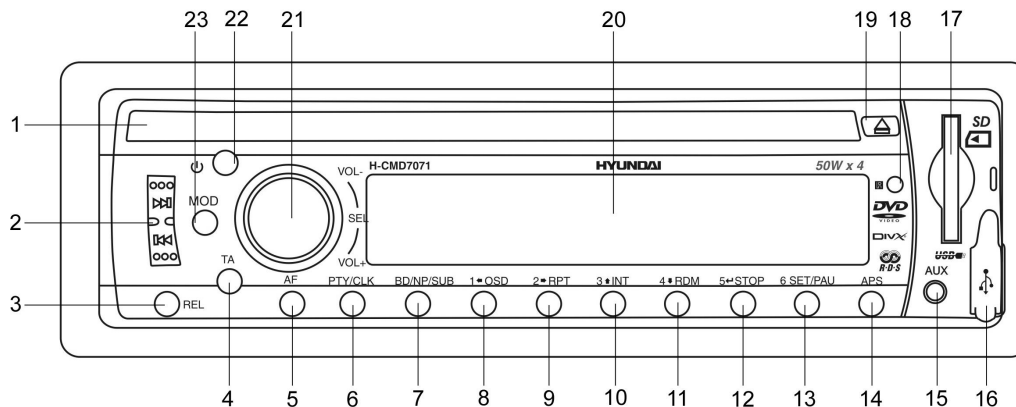
1. If your car is equipped with the ISO connector, then connect the ISO connectors as illustrated.
2. For connections without the ISO connectors, check the wiring in the vehicle carefully before connecting, incorrect connection may cause serious damage to this unit.
3. Cut the connector, connect the colored leads of the power cord to the car battery as shown in the colour code table below for speaker and power cable connections.



Location	FUNCTION	
	Connector A	Connector B
1		Rear Right(+)--Blue
2		Rear Right(--)--Blue/White Stripe
3		Front Right(+)--Grey
4	Battery 12V (+)/yellow	Front Right(--)--Grey/White Stripe
5	Auto Antenna/Orange	Front Left(+)--Green
6	Panel light/White	Front Left(--)--Green/White Stripe
7	ACC+/red	Rear Left(+)--Brown
8	Ground/black	Rear Left(--)--Brown/White Stripe

Controls description

Front panel

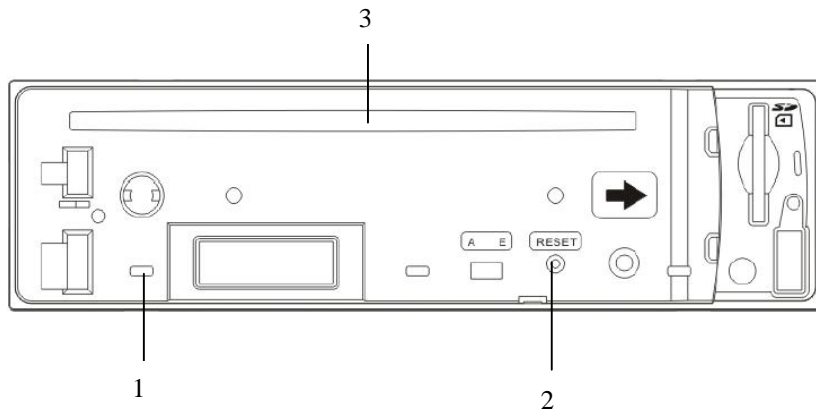


- | | |
|----------------------|-------------------------|
| 1. Disc slot | 13. 6/SET/PAU button |
| 2. PREV/NEXT buttons | 14. APS button |
| 3. REL button | 15. AUX in jack |
| 4. TA button | 16. USB port |
| 5. AF button | 17. SD/MMC slot |
| 6. PTY/CLK button | 18. IR sensor |
| 7. BND/NP/SUB button | 19. EJECT button |
| 8. 1/OSD button | 20. Display |
| 9. 2/RPT button | 21. VOL knob/SEL button |
| 10. 3/INT button | 22. POWER button |
| 11. 4/RDM button | 23. MOD button |
| 12. 5/STOP button | |

Back of the front panel

Press the OPEN button to open the panel.

1. LED indicator
2. RESET button (hole)
3. Disc slot

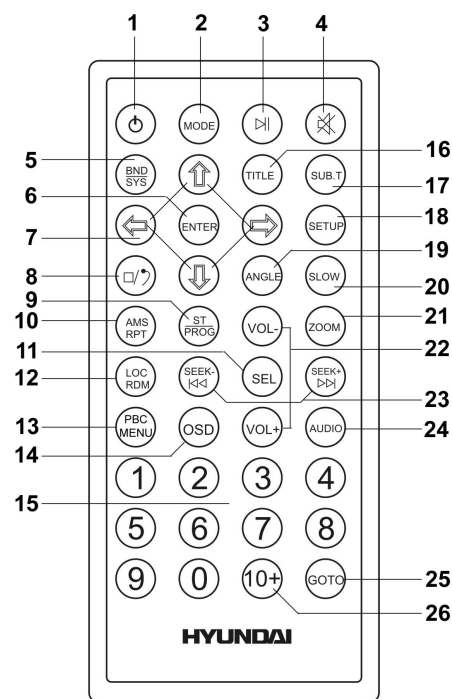


Note: Pressing the RESET hole will erase the clock setting and stored stations.

Panel status indicator lights up when you slide the panel down, flashes when you remove the panel.

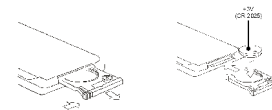
Remote control

1. POWER button
2. MODE button
3. PLAY/PAUSE button
4. MUTE button
5. BND/SYS button
6. ENTER button
7. UP/DOWN/LEFT/RIGHT cursor buttons
8. STOP/REVERSE button
9. ST/PROG button
10. AMS/RPT button
11. SEL button
12. LOC/RDM button
13. PBC/MENU button
14. OSD button
15. Digit buttons
16. TITLE button
17. SUB-T button
18. SETUP button
19. ANGLE button
20. SLOW button
21. ZOOM button
22. VOL-/VOL+ buttons
23. SEEK-/SEEK+ / PREV/NEXT buttons
24. AUDIO button
25. GOTO button
26. 10+ button



Changing the battery

Press the catch and at the same time pull out the battery tray. Insert the 1 x lithium battery, type CR 2025 3V battery with the stamped (+) mark facing upward. Insert the battery tray into the remote control.



General operations

Reset the unit

Operating the unit for the first time or after replacing the car battery, you must reset the unit.

Press REL button and remove the panel, then press RESET button to restore the unit to the original factory settings.

Power button

Press any button to turn the unit on. Press POWER button to switch the unit off.

Note: After the unit is off, the clock, volume level and radio current settings will be memorized, and when you turn the unit on it will resume the stored status you set.

Volume adjustment

Rotate VOL knob on the panel clockwise or press VOL+ button on the RC to increase the volume level; rotate anticlockwise or press VOL- button to decrease the volume level.

Mute function

Press MUTE button to cancel the sound. Press again to resume.

Mode selecting

Press MOD button or MODE button on RC repeatedly to select the mode: RADIO => DISC (the type of disc inserted) => USB (if any is inserted) => CARD (the type of card inserted).

Subwoofer control

Press and hold BAND/NP/SUB button on the panel to turn the Subwoofer output ON. An external amplifier is required to operate a subwoofer.

Sound settings

Press SEL button shortly and repeatedly to select the mode: VOL => BAS => TRE => BAL => FAD => LOUD => LOC => ST => EQ=> BEEP=> COLOR 1. Rotate the VOL knob or use VOL +/VOL- buttons to adjust each mode.

- VOLUME: 00, 02,....., 39
- BASS/TREBLE: -7, -5,....., 0, +1, +2,.....+5, +7
- BALANCE: 7L,....., 7R
- FADER: 7R,....., 7F
- LOUD: ON/OFF
- LOC: LOC ON, LOC OFF (DX).
- ST: ON, OFF
- BEEP: ON/OFF
- EQ: CLASS, POP, ROCK, FLAT, OFF
- COLOR: COLOR1, COLOR2 (to select the needed backlight color).

Note: In each mode, the waiting time is about 5 seconds, and the waiting time is over, it returns to the last display mode of radio or disc playback mode.

Clock display and adjustment

1. Press and hold PTY/CLK button on the panel to show the time on the display.
2. Press and hold it, the hour will blink.
3. Rotate VOL knob on the panel to adjust the hour.
4. Press briefly SEL button again, the minute will blink.
5. Rotate the VOL knob on the panel to adjust minutes.
6. Press PTY/CLK button to confirm it.

Radio operations

Note: RDS (Radio Data System) service availability varies with areas. Please understand if RDS service is not available in your area, the following service is not available, either.

Band select

Press BND/NP/SUB button on the front panel or BND/SYS button on RC repeatedly to select your desired radio band during RADIO mode: FM1, FM2, FM3, AM1, AM2.

Auto/Manual tuning

- **Manual tuning:** Press briefly PREV/NEXT buttons to select a station downward or upward step by step.
- **Automatic tuning:** Press and hold for 2 seconds PREV/NEXT buttons, the automatic search will start. It will play when it finds the station.

Programming tuner stations

You can store up to a total of 30 radio stations in the memory (18 FM, 12 AM), manually or automatically.

To store a station:

- Select a band (if needed)
- Select a station by SEEK-/+ on the RC.
- Hold a Preset button (1-6), under which you want to store the station for at least 2 seconds.

To recall a station:

- Select a band (if needed)
- Press a Preset button (1-6) briefly to recall the stored station

APS (Auto memory store/ Preset scan) function

- **Preset scan:** press APS button on the panel or AMS button on the RC to scan all preset stations in the memory of the current band and stay on each memory station for about 5 seconds. To stop preset scan, press this button again. To listen to saved station press 1-6 buttons.

- **Auto memory store:** press APS button on the panel for more than 2 seconds to enter auto store mode. The radio will automatically store the 6 strongest available stations to the 6 preset memories of the current band. To stop auto store, press this button again.

Stereo/Mono mode

Press ST/PROG button on the RC to select Stereo or Mono.

OR press SEL button until ST is selected, rotate the VOL knob to select Stereo or Mono.

Local/Distance control

Press LOC/RDM button on the RC to select LOC ON or LOC OFF mode.

OR press SEL button until LOC is selected, rotate VOL knob to select LOC ON or LOC OFF mode.

Local and distance reception setting can facilitate the radio reception, depending on the location in which the radio is being used.

AF (Alternative Frequencies) function

Press AF button on the panel to select AF ON or AF OFF.

When the radio signal strength is poor, enabling the AF function will allow the unit to automatically search another station with the same PI (Program Identification) as the current station but with stronger signal strength.

PS (Program Service name): the name of station will be display instead of frequency.

If RDS service is not available in your area, turn off the AF mode. Default setting is ON.

TA (Traffic Alarm) function

Press TA button on the panel to select TA ON or TA OFF.

In TA mode traffic program will be automatically searched, until the program is received.

When traffic announcement is received the unit will temporarily switch to the tuner mode (regardless of the current mode) and begin broadcasting the announcement. After the traffic announcement is over, it will return to the previous mode and volume level.

PTY (Program Type)

1. Press PTY/CLK button on the panel to activate the PTY function. The previous PTY type is shown.

- Press PTY/CLK once again to enter the MUSIC type or press twice to enter the SPEECH type, then use buttons 1 - 6 to select the desired program type (see the following table).

Button Number	Music Group	Speech Group
1	Pop, Rock	News, Affairs, Info
2	Easy, Light	Sport, Educate, Drama
3	Classics	Culture, Science, Varied
4	Jazz, Country	Weather, Finance, Children
5	Nation, Oldies	Social, Religion, Phone IN
6	Folk	Travel, Leisure, Document

- When PTY is selected, the radio starts to search corresponding PTY information, and stops if the corresponding PTY information is detected.
- If there are no keys entered for 2 seconds, previously selected PTY is searched. During 1 loop, if desired PTY is not found, NO PTY is flashed, then return to previous normal radio and PTY word disappears.
- Press PTY button for the 3rd time to switch the PTY function off.

TA SEEK/TA ALARM

To choose the TA mode, press and hold SEL button, then press it repeatedly until the display shows TA seek. Rotate VOL knob to choose between the TA SEEK and TA ALARM. After choosing, please leave the unit idle to activate. In TA SEEK mode, the unit will seek for traffic announcement program when TA is pressed; in TA ALARM mode, the alarm is set off.

MASK DPI/MASK ALL

Press and hold SEL button, then press it repeatedly until the display shows MASK DPI. Rotate VOL knob to toggle between MASK DPI and MASK ALL mode, then leave the unit idle to activate. During MASK DPI mode, the unit will mask only the AF which has different PI, this is the default mode; during MASK ALL mode, the unit will mask the AF which has different PI and no RDS signal with high field strength.

RETUNE S/L - SHORT/LONG

Press and hold SEL button, then press it repeatedly until the display shows RETUNE S. Rotate VOL knob to toggle between RETUNE S and RETUNE L modes, then leave the unit idle to activate. RETUNE refers to the time period the unit allows for radio scan when reception is interrupted. 'S' represents a time period of 30 seconds and 'L' represents a time period of 90 seconds.

Disc operations

Disc glossary

PBC (PlayBack Control)

PBC is a menu recorded on the disc with SVCD or VCD2.0 format. For the discs contained PBC, it can playback interactive software with the menu displayed on TV. And if the disc contains still images, it can playback high definition of still image.

Title

The title is the important part of DVD disc. The memory volume of the disc is rather big, that makes possible to record several films on one disc. For example, if a disc contains three films, they may be divided into Title 1, Title 2 and Title 3. You can easy use the functions of looking-for.

Chapter

A title can be divided into several blocks, so that every block can be operated as a unit, the unit is called chapter. The chapter contains a unit at least.

Track

It is the biggest component of VCD. Generally, every song of karaoke disc is a track.

Discs for playback

- This unit can play disc types: CD-R/-RW/DVD±R/±RW.
- Compatible with formats: DVD/DVD±R/DVCD/SVCD/VCD/CDDA/MP3/WMA/CD/Picture-CD/Photo-CD/CD-R/CD-RW/JPEG/DivX(4.0/5.0)/MPEG4.
- The following file types are supported:
 - Audio files: MP3 (*.mp3)
WMA (*.wma)
 - Video files: MP4 (*.avi, DIVX3.11/4.0/5.0/6.0 and XVID)
MPEG 2(*.vob)
MPEG 1(*.dat)
 - Picture file: JPEG (*.jpg)
- ISO 9660 or ISO 9660 +Joliet format - Max. 30 characters
- Max. Track number is 448

- Max. nested directory is 8 levels
- The max. album number is 99
- The max. length of each track is 99 minutes 59 seconds
- Supported sampling frequency for MP3 disc: 8 KHz – 48 KHz (44.1 KHz preferably)
- Supported bit-rates of MP3 disc are: 32 - 320 kbps (128 kbps preferably).
- Following formats are NOT supported *.ACC, *.DLF, *.M3U, *.PLS, MP3 PRO, files with DRM.
- Open session discs are NOT supported.

USB/SD/MMC notes

USB functions (flash memory type) MP3 music play.

1. SD/ MMC card support, 2in1 (SD/ MMC) support.
2. USB flash memory.
3. FAT 12/ FAT 16/ FAT 32 is possible
FAT 12/16 (dir: 200 support, file: 500 support),
FAT 32 (dir: 200 support, file: 500 support).
4. Filename: 32 byte/ Dir name: 32 byte.
5. Tag (id3tag ver2.0)
Title/ Artist/ Album: 32 byte support.
6. Multi card reader not support.
7. USB 2.0 support.

Note:

USB format supports 2.0.

Capacity: 8 MB ~ 1 GB.

SD cards brands: Cannon, Fuji film, Palm, Motorola, Microsoft, IBM, HP, Compaq, Sharp, Samsung, etc. Capacity: 8 MB ~ 1 GB.

MMC cards brands: Ericsson, Nokia, Motorola, HP, Palm, Sanyo, Microsystems, etc.

Capacity: 16 MB ~ 1 GB.

Loading/Eject a disc

- Turn the power on.
- Insert the disc with the printed side facing upward into the slot.
- Press EJECT button on the panel to eject the disc.

Inserting the SD/MMC card/USB device

Insert the MMC/SD card or USB device into MMC/SD compartment or USB socket. Then the playing mode will be changed into MMC/ SD or USB mode automatically. The first card/USB device track playback will start.

Note: When MMC/SD card and USB device are both inserted into their compartment or socket, the playing mode will be changed into the mode of the later one.

Playing/pausing

- When the disc has been already loaded press the PLAY/PAUSE button on the RC to start playback.
- To ensure good system performance, wait until the unit finishes reading the disc information before proceeding.
- Press and hold for 2 seconds the SET/PAU button on the panel or press shortly the PLAY/PAUSE on the RC to pause the playback. Press again to resume the playback.

Stop playback

During playback press the STOP button to stop playback.

Playing the previous/next track

During playback press PREV button to play the previous track. Press NEXT button to play the next track.

Scanning forward and backward

Press and hold PREV or NEXT buttons to fast the playing in backward or forward direction. Release the button when the desired location is found.

Changing size

Press ZOOM button on RC. The picture will be enlarged accordingly: X2, X3, X4, 1/2, 1/3, 1/4, OFF.

Slow playback (for DVD/VCD)

During DVD/VCD playback press SLOW button on the RC to execute the SLOW function. With each consecutive pressing of the SLOW button, the playback speed decreases: X1/2 => X1/3 => X1/4 => X1/5 => X1/6 => X1/7 => Normal.

During slow forward, press PLAY/PAUSE button to resume normal playback.

Repeat playback

Press and hold for 2 seconds RPT button on the front panel or press shortly AMS/RPT button on the RC to repeat the current track playback. Press again time to cancel.

Random playback

Press and hold for 2 seconds RDM button on the front panel or press shortly LOC/RDM button on the RC to start the random playing. Press again time to cancel.

Intro playback

You can play the beginning of every track for 10 seconds in sequence. Press and hold for 2 seconds INT button on the panel to start intro play. Press again to cancel.

On-screen display

Press and hold for 2 seconds 1/OSD button on the panel or shortly press OSD button on the RC. The display will show the current track/title/total amount of tracks/titles, current chapter/ total amount of chapters, disc playback time elapsed.

Selecting the audio language (for DVD only)

Press AUDIO button on RC or press SEL button to select AUDIO and then rotate VOL knob to select the audio language (if DVD disc supports several audio languages).

Changing angle (for DVD only)

If DVD disc supports multi-angle playback, press ANGLE button on RC to play images in different camera angles. If discs doesn't support multi-angle playback, this function will not work. If no operation within 1 second, angle description will disappear.

Selecting the subtitle (for DVD only)

Press SUB-T button on RC repeatedly to select the subtitle. Press ENTER to confirm.

Title playing (for DVD only)

- Press TITLE button on the RC to activate the disc title list on the screen.
- Press UP/DOWN buttons on the RC to select the desired title or press the digit buttons to insert the desired number directly.
- Press ENTER button or PLAY/PAUSE button to confirm the selected item and start playing.

PBC (Playback Control) function (for VCD only)

If you insert a VCD with PBC, playback starts from the beginning of the 1st track automatically.

1. Press PBC/MENU button on the RC to activate PBC menu on screen during playback.
2. If the menu consists a list of titles, you can select a desired one using UP/DOWN/LEFT/RIGHT buttons on the RC or digit buttons.
3. The VCD starts playing the selected title automatically or press PLAY/PAUSE button or ENTER button to confirm the selected track for playback.
4. Press PBC/MENU button again to exit menu.

GOTO function

During the playback press GOTO button on the RC to enter the search mode. Use the digital buttons and cursor buttons to input the desired track/chapter number or time. Press ENTER to start its playing.

Program playing

During playback press ST/PROG button on the RC to open the program menu. Press the cursor buttons and number buttons to set the sequence of playback.

TV type select (for DVD/VCD)

Press PN/SUB/BAND button on the panel to select the TV type: NTSC => PAL => PAL60 => AUTO.

MP3 overview

Notes on MP3 and WMA

- MP3 is short for MPEG Audio Layer 3 and refers to an audio compression technology standard.
- This product allows playback of MP3 files on CD-ROM, CD-R or CD-RW discs.
- The unit can read MP3 files written in the format compliant with ISO 9660. However it does not support the MP3 data written by the method of packet write.
- The unit can not read an MP3 file that has a file extension other than “.mp3”.
- If you play a non- MP3 file that has the “.mp3” extension, you may hear some noise.
- In this manual, we refer to what are called “MP3 file” and “folder” in PC terminology as “track” and “album”, respectively.
- Maximum number of directory level is 8, including the root directory. Maximum number of files and folders per disc is 256.
- The unit may not play tracks in the order of Track numbers.
- The unit plays only the audio tracks if a disc contains both audio tracks and MP3 files.
- When playing a disc of 8 kbps or “VBR”, the elapsed playing time in the display window will not be correct and also the intro play may not function properly. “VBR”: Variable Bit Rate.
- The unit supports the playback of WMA files. The playback of ID3 tags for WMA format is not guaranteed, it depends on versions and availability of Cyrillic alphabet.
- WMA (Windows Media Audio) – music data compression format, created by Microsoft Corporation. This format uses coding algorithm for compression of initial audio-record, greatly decreasing the file size, but, saving the good sound quality even when the bit rate is low (for example, 64 Kbit/s).
- Remember that the unit may not play the tracks in order they are written on disc.

Notes on creating your own CD-Rs or CD-RWs containing MP3 files

- To enjoy high quality sound, we recommend converting to MP3 files with a sampling frequency of 44.1 kHz and a fixed bit rate of 128 kbps.
- DO NOT store more than 256 MP3 files per disc.
- For ISO 9660 - compliant format, the maximum allowable depth of nested folders is 8, including the root directory (folder).
- When CD-R disc is used, playback is possible only for discs, which have been finalized.

- Make sure that when MP3 CD-R or CD-RW is burned that it is formatted as a data disc and NOT as an audio disc.
- You should not write non-MP3 files or unneeded folders along with MP3 files on the disc otherwise it takes a long time until the unit starts to play MP3 files.
- With some CD-R or CD-RW media, data may not be properly written depending on their manufacturing quality. In this case, data may not be reproduced correctly. High quality CD-R or CD-RW disc is recommended.
- Up to 16 characters are displayed for the name of an Album or a Track. ID3TAG version 1.x is required.
- Note that the unit may not play Tracks in the order that you wrote them to the disc.

System setup

Press SETUP button on the RC to display setup screen, use LEFT/RIGHT cursor buttons and ENTER button to select the desired setup page: System, Language, Audio, Video, Speaker, Digital.

System setup

TV system

Select the TV system in the setting menu (NTSC, PAL, PAL-M, PAL-N, AUTO).

Screen saver

The screen saver appears if disc stops for more than 3 minutes.

Original setting: On.

TV type

Select TV type to watch wide screen movies.

4:3 PS: For 4:3 TV, left and right edges will be cut.

4:3 LB: For 4:3 TV, black bars will appear on top and bottom.

16:9: For 16:9 wide screen TV.

Password

Original password is 0000.

Rating

The rating of the disc is from 1 to 8:

1 (KID SAFE) with the most limits when playing.

8 (ADULT) with the least limits when playing.

Original setting: 8.

Note: The rating can be selected only under the password unlocked status, and the limits can be worked only under the password locked status.

Default

If this item is selected, the unit will return to original setting.

SYSTEM SETUP

TV SYSTEM
SCREEN SAVER
TV TYPE
PASSWORD
RATING
DEFAULT

Language setup

OSD language

Select the language to be used for the on-screen display.

Audio language

Select the language to be used for the audio. You can select a preferred audio from those included on the DVD video disk. (The screen on your player may have difference with the screen shown here)

Subtitle language

Select the language to be used for the Subtitles. You can select a preferred subtitle from those included in the DVD Video disk.

(The screen on your player may have difference with the screen shown here)

Menu language

Select the language to be used for the Menu. You can select a preferred audio from those included on the DVD. (The screen on your player may have difference with the screen shown here.)

LANGUAGE SETUP

OSD LANGUAGE

AUDIO LANG

SUBTITLE LANG

MENU LANG

Audio setup

Audio output

Select digital output format.

SPDIF/OFF: There is no signal output from coaxial or optical output.

SPDIF/RAW: When the unit is connected with the amplifier by coaxial or optical connector, please select this mode.

SPDIF/PCM: When the unit is connected with the two-channel digital stereo amplifier, please select this mode.

Key. Select key up/down according to your preference.

AUDIO SETUP

AUDIO OUT

KEY

Video setup

Set a parameter with UP/DOWN cursor buttons: Brightness, Contrast, Hue, Saturation, Sharpness.

VIDEO SETUP

BRIGHTNESS
CONTRAST
HUE
SATURATION
SHARPNESS

Speaker setup

Downmix

LT/RT: The audio out is Left and Right channels format even if the original sound is 5.1 CH format.

Stereo: The audio out format is stereo even if the original sound is 5.1 CH format.

Vss: The audio out is virtual surround sounds (only for 5.1 CH player).

SPEAKER SETUP

DOWNMIX

Digital setup

Output mode

Select the output mode:

LINE OUT: Compress the input signal. The volume is small.

RF REMOD: The volume is large.

Dynamic range

When you select the compressed mode as “line out”, select it to adjust the compression proportion and get the different compressed effect. When select FULL, the audio signal is minimum; when select OFF, the audio signal is maximum.

Dual mono: Select the audio channel from STEREO, MONO L, MONO R and MIX MONO.

DIGITAL SETUP

OP MODE
DYNAMIC RANGE
DUAL MONO

Anti-theft system

This unit is equipped with a slide-down detachable and mask panel. Panel can be detached and taken with you, helping to deter theft.

Detaching the front panel

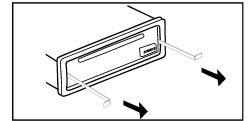
1. Press the PWR button to turn the power off.
2. Press REL button on the front panel.
3. Push the panel to the right and then pull it towards you.
4. Place the panel into the case and take it with you when you leave the car.

Attaching the control panel

1. Insert left side of the control panel into the main unit.
- Note:** the control panel must be attached into the T-Joint.
2. Press the right side of the panel until a “click” sound is heard.

Remove the unit

1. Remove the panel and the trim plate.
2. Insert both T-Keys into hole in front of the set until they lock.
3. Pull out the unit.



Cleaning

Discs holding

- Dirty, scratched or warped discs may cause skip ping or noise.
- Handle the disc only by the edges. To keep clean do not touch its surface.
- Discs should be stored in their cases after use to avoid scratches.
- Do not expose discs to direct sunlight, high humidity, high temperature or dust.
- Prolonged exposure to extreme temperature can warp the disc (such as leaving the discs in your car during summertime).
- Do not stick or write anything on either side of disc. Sharp writing instruments, or the inks used in some felt-tip pens, may damage its surface.
- DO NOT attach any seal, label or data protection sheet to either side of a disc.
- Cleaning.

Discs cleaning

Fingerprints should be carefully wiped from the surface of disc with a soft cloth. Unlike conventional records, compact discs have no grooves to collect dust and macroscopic dirt, so gently wiping them with a soft cloth should remove most particles. Wipe in a straight motion from the center to the edge.

Never use thinner benzene, record cleaner or anti static spray on a compact disc. Such chemicals can damage its plastic surface.

Cleaning the cabinet

Wipe with a soft cloth. If the cabinet is very dampen (not dropping wet) the cloth and then wipe clean.

Troubleshooting guide

Symptom	Cause	Solution
No power	The car ignition is not on. The fuse is blown.	If the power supply is properly connected to the car accessory switch the ignition key to "ACC". Replace the fuse.
Disc cannot be loaded.	Presence of disc inside the player.	Remove the disc in the player then put a new upward.
Disc cannot be read.	Inserting the disc in upside down. Compact disc is extremely dirty or defective. Temperature inside the car is too high.	Insert the compact disc with the label facing upward. Clean the disc or try to play a new one. Cool off until the ambient temperature returns to normal.
No sound	Volume is in minimum. Wiring is not properly connected.	Adjust volume to a desired level. Check wiring connection.
The operation keys do not work.	The built-in microcomputer is not operating properly due to noise. Front panel is not properly fix into its place.	Press the power button for about 10 seconds to reset the unit
Sound skips.	The installation angle is more than 30 degrees. The disc is extremely dirty or defective.	Adjust the installation angle to less than 30 degrees. Clean the compact disc/try to play a new one.
The radio does not work, the radio station automatic selection does not work.	The antenna cable is not connected the signals are too weak.	Insert the antenna cable firmly select a station manually.

Specification

General	
Power Supply	12V DC
Current consumption/Fuse:	10A & 1A
Maximum power output:	50Wx4 channels
Dimensions (W x H x D)	178 x 51 x 178 mm
Working temperature range:	-20°C - +60°C
FM Stereo Radio	
Frequency range:	87.5 - 108.0 MHz
Usable sensitivity/ I.F. Frequency:	3 uV/ 10.7 MHz
AM Section	
Frequency range:	522 kHz-1620 kHz
Disc player	
Formats:	DVD/SVCD/VCD/MP4/MP3/WMA/CD/HDCD/DVD Audio/MPEG4/DivX/Picture-CD/Photo-CD/CD-R/CD-RW/DVD±R/JPEG
Video System/Audio System	Standard NTSC/PAL / 24 bit/96 KHz
Loading System	Auto Loading
Mounting Angle	0 to +/-30
Video Specification	
Video System	16:9 and 4:3
Video Output level	1.0Vp-p 75 ohms
Horizontal Resolution	500
Audio Specification	
Maximum Output	2Vrms(+/-3dB)
Frequency Response	20 to 20KHz
S/N Ratio(A-vtd)/ Separation	60dB/ 50dB

Line out	
Output:	CD max 2000 mV

Specifications are subject to change without notice. Dimensions are approximate.

Уважаемый покупатель!

Благодарим Вас за покупку нашего изделия. Для обеспечения безопасности рекомендуется тщательно изучить настоящее руководство перед подключением, эксплуатацией и/или регулировкой изделия, и сохраняйте руководство для использования в будущем.

Содержание

СОДЕРЖАНИЕ.....	33
МЕРЫ ПРЕДОСТОРОЖНОСТИ	34
КОМПЛЕКТ ПОСТАВКИ.....	35
УСТАНОВКА/ПОДКЛЮЧЕНИЕ.....	36
ЭЛЕМЕНТЫ УПРАВЛЕНИЯ.....	40
ОСНОВНЫЕ ФУНКЦИИ.....	43
ЦИФРОВОЙ ТЮНЕР	45
ИСПОЛЬЗУЕМАЯ ТЕРМИНОЛОГИЯ.....	49
ВОСПРОИЗВЕДЕНИЕ ДИСКОВ.....	50
ОБЗОР МР3.....	56
ОПЕРАЦИИ С МЕНЮ	58
СИСТЕМА ЗАЩИТЫ ОТ КРАЖИ.....	61
ОБРАЩЕНИЕ С КОМПАКТ-ДИСКАМИ.....	62
РУКОВОДСТВО ПО ИСПРАВЛЕНИЮ НЕИСПРАВНОСТЕЙ.....	63
ТЕХНИЧЕСКИЕ ХАРАКТЕРИСТИКИ.....	64

Меры предосторожности

- Тщательно изучите настоящую инструкцию, чтобы познакомиться с высококачественной аудиосистемой.
- Используйте только в электрической цепи с постоянным током 12В.
- При установке и подключении изделия отключите отрицательную клемму аккумулятора автомобиля.
- При замене предохранителя убедитесь, что вы устанавливаете предохранитель с тем же номиналом. Используя предохранитель с повышенным значением тока, можно нанести значительные повреждения изделию.
- Не пытайтесь разбирать изделие.
- Убедитесь, что никакие посторонние предметы не попали внутрь изделия. Они могут вызвать сбои в работе или стать причиной короткого замыкания.
- Не используйте устройство в местах, где оно может подвергнуться воздействию воды, влаги и пыли.
- Если вы ставите автомобиль на стоянку на длительное время в жаркое или холодное время года, подождите, пока температура в автомобиле не станет нормальной, перед тем как включать изделие.
- Устанавливайте уровень звука таким, чтобы слышать исходящие снаружи предупредительные сигналы (звуковые сигналы автомобилей и т.п.).
- Не открывайте CD-ресивер и не проводите ремонт самостоятельно. Обратитесь к дилеру или квалифицированному персоналу.
- Убедитесь, что источник питания и антенна отключены во время грозы или в случае, если системой не пользуются в течение длительного времени.
- Убедитесь, что источник питания отключен, если обнаружена неправильная работа системы, система издает необычные звуки, запах, выделяет дым или внутрь ее попала жидкость. Проведите квалифицированный технический осмотр системы.
- Не соединяйте отрицательный провод колонок с корпусом изделия.
- Не устанавливайте изделие в местах, где оно может подвергнуться действию прямых солнечных лучей, во избежание перегрева. Также избегайте мест, где изделие может подвергнуться воздействию влаги, пыли, грязи или вибрации.
- Передняя панель изделия является сложной частью изделия, она содержит чувствительные электронные элементы. Не подвергайте ее сильным ударам.
- При подключении проводов изделия к системе зажигания используйте автомобильные кабели диаметром не менее 0,75 мм (AWG18), чтобы избежать перегрева обмотки кабеля.

Комплект поставки

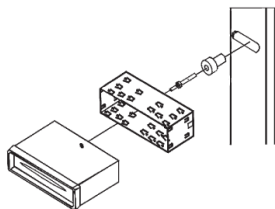
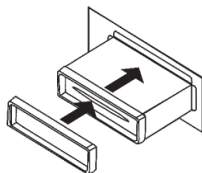
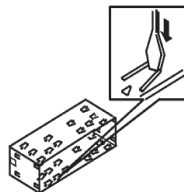
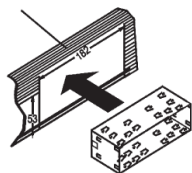
- | | | |
|----|----------------------------------|------|
| 1. | Ресивер | 1 шт |
| 2. | Пульт дистанционного управления | 1 шт |
| 3. | Короб | 1 шт |
| 4. | ISO коннектор | 1 шт |
| 5. | Детали для установки: | |
| | Шестигранная гайка M5 T (3.5 мм) | 1 шт |
| | Кожух (0.6 мм) | 1 шт |
| | Левый ключ (1.0 мм) | 1 шт |
| | Правый ключ (1.0 мм) | 1 шт |
| | Металлическая пластина (0.8 мм) | 1 шт |
| | Плоская шайба (5 мм) | 1 шт |
| | Внешняя рамка | 1 шт |
| | Пружинная шайба (5 мм) | 2 шт |
| | Винт (5X5 мм) | 4 шт |
| | Винт (5X25 мм) | 1 шт |
| | Винт M5 (5X29.3 мм) | 1 шт |
| 6. | Информация для потребителя | 1 шт |
| 7. | Гарантийный талон | 1 шт |
| 8. | Инструкция по эксплуатации | 1 шт |

Установка/подключение

Сначала проведите электрические подключения, затем проверьте их правильность.

Способ установки

Шасси имеет корпус с металлическими направляющими. Пожалуйста, проведите соединение проводов источника питания, динамиков и антенны в соответствии с требованиями инструкции. Затем вставьте металлический корпус с направляющими в автомобиль в соответствии с приведенной схемой.

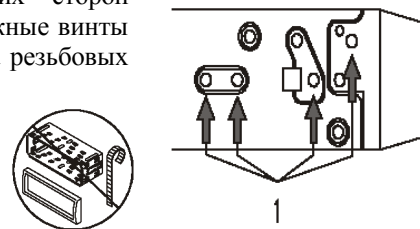


Второй вариант установки

Данный вариант установки предусматривает использование резьбовых отверстий, которые находятся на боковых панелях автомагнитолы.

Закрепите автомагнитолу на крепежных кронштейнах штатного радиоприемника.

1. Выберите положение кронштейнов, при котором будут совмещены резьбовые отверстия на кронштейнах и резьбовые соединения на корпусе автомагнитолы. Закрепите кронштейны с обеих сторон автомагнитолы не менее чем в двух местах. Для этого используйте либо крепежные винты (5 x 8 мм), либо винты с потайной головкой (4 x 8 мм), в зависимости от типа резьбовых отверстий на кронштейне.
2. Винт.
3. Крепежные кронштейны штатного радиоприемника.
4. Приборная панель или консоль автомобиля.
5. Скоба (необходимо удалить).



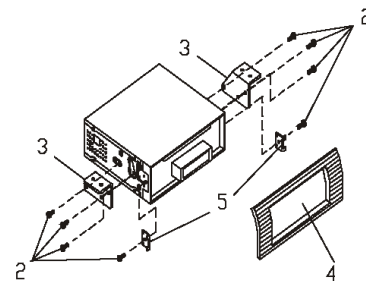
Примечание:

При установке автомагнитолы по второму методу кожух, декоративная внешняя рамка и металлическая планка не используются.

Внимание:

Панель может повредиться из-за внешних факторов: тряски, ударов. После снятия ее с устройства держите панель в защитном футляре и старайтесь не ронять и не наносить физических повреждений.

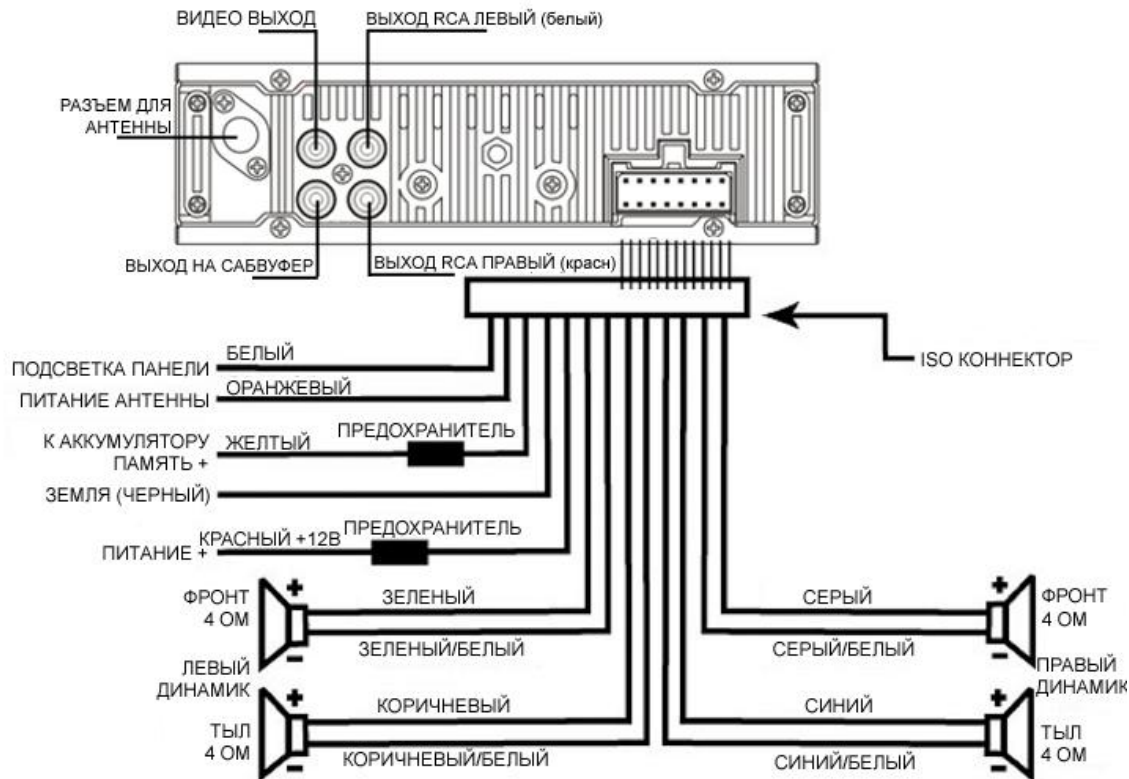
Очень важным элементом является коннектор на задней части панели. Не нажимайте на него ногтями, ручками, отвертками.



Примечание:

Если панель загрязнилась или запылилась, протрите ее сухой чистой тканью. Для чистки разъема в задней части панели используйте тампон, смоченный изопропиловым спиртом.

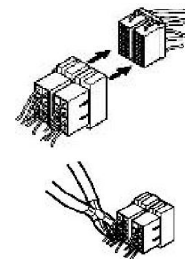
Схема подключений



- Независимо от размера динамиков, следует использовать динамики с сопротивлением 4 Ом.
- Не допускайте короткого замыкания проводов динамиков на корпус головного устройства или автомобиля.

Использование разъема ISO

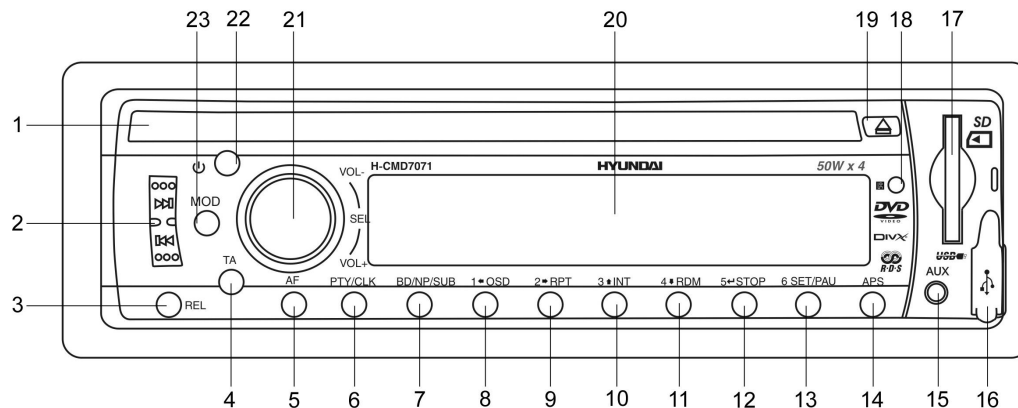
1. Если в Вашем автомобиле есть разъем ISO, произведите подключение, как показано на рисунке.
2. Для подключений без разъемов ISO внимательно проверьте все провода перед подключением, неправильное подключение может привести к повреждениям изделия. Обрежьте разъем, подключите цветные головки разъема к шнуру питания батареи в соответствии с приведенной таблицей.



Номер	Функция	
	Разъем А	Разъем В
1		Задний правый(+)--Голубой
2		Задний правый(--Голубой/Белый
3		Передний правый(+)--Серый
4	Питание 12В (+)/желтый	Передний правый(--Серый/Белый
5	Авто антенна /синий	Передний левый(+)--Зеленый
6	Подсветка панели/белый	Передний левый(--Зеленый/Белый
7	АСС+/красный	Задний левый(+)--Коричневый
8	Земля/черный	Задний левый(--Коричневый/Белый

Элементы управления

Передняя панель

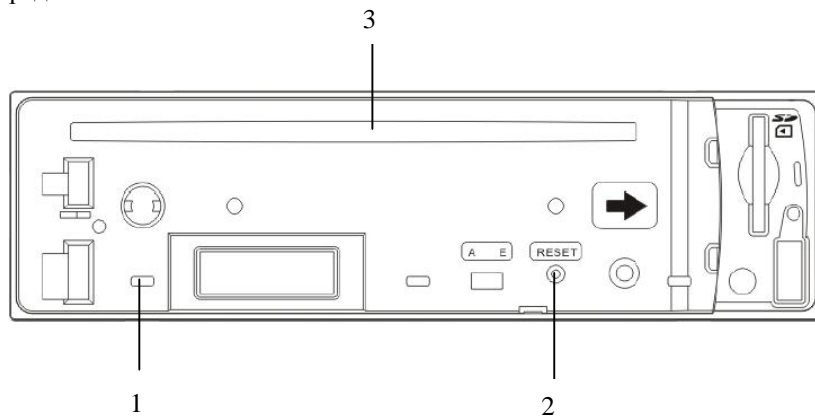


- | | |
|----------------------|---------------------------------|
| 1. Слот для дисков | 13. Кнопка 6/SET/PAU |
| 2. Кнопки PREV/NEXT | 14. Кнопка APS |
| 3. Кнопка REL | 15. Вход AUX |
| 4. Кнопка TA | 16. USB порт |
| 5. Кнопка AF | 17. Слот для карт памяти SD/MMC |
| 6. Кнопка PTY/CLK | 18. ИК сенсор |
| 7. Кнопка BND/NP/SUB | 19. Кнопка EJECT |
| 8. Кнопка 1/OSD | 20. Дисплей |
| 9. Кнопка 2/RPT | 21. Регулятор VOL/Кнопка SEL |
| 10. Кнопка 3/INT | 22. Кнопка POWER |
| 11. Кнопка 4/RDM | 23. Кнопка MOD |
| 12. Кнопка 5/STOP | |

Внутренняя панель

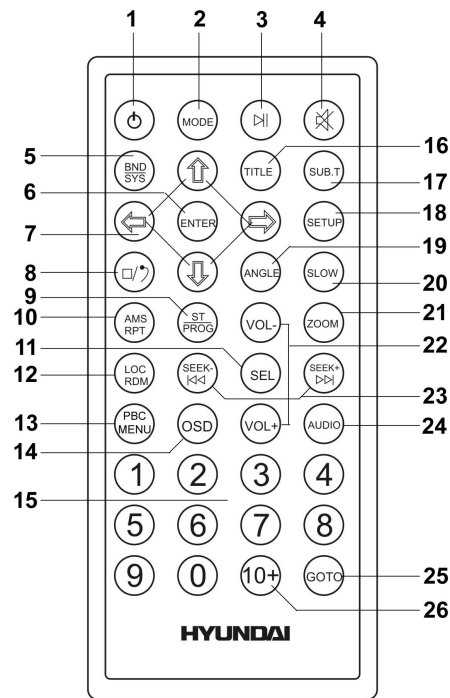
Нажмите на кнопку OPEN, чтобы откинуть переднюю панель.

1. LED индикатор
2. Кнопка (отверстие) RESET
3. Слот для диска



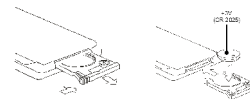
Пульт дистанционного управления (ПДУ)

1. Кнопка POWER
2. Кнопка MODE
3. Кнопка PLAY/PAUSE
4. Кнопка MUTE
5. Кнопка BND/SYS
6. Кнопка ENTER
7. Кнопки курсора ВВЕРХ/ВНИЗ/ВПРАВО/ВЛЕВО
8. Кнопка STOP/REVERSE
9. Кнопка ST/PROG
10. Кнопка AMS/RPT
11. Кнопка SEL
12. Кнопка LOC/RDM
13. Кнопка PBC/MENU
14. Кнопка OSD
15. Кнопки с цифрами
16. Кнопка TITLE
17. Кнопка SUB-T
18. Кнопка SETUP
19. Кнопка ANGLE
20. Кнопка SLOW
21. Кнопка ZOOM
22. Кнопки VOL-/VOL+
23. Кнопки SEEK-/SEEK+ /PREV/NEXT
24. Кнопка AUDIO
25. Кнопка GOTO
26. Кнопка 10+



Замена батарей в пульте управления:

Откройте отсек для батарей в направлении, указанном стрелкой. Замените старую батарею на новую (CR 2025 3V), соблюдая полярность. Закройте отсек для батарей.



Основные функции

Кнопка RESET (сброс)

Нажмите на панели кнопку REL. Нажмите кнопку сброса RESET, расположенную за передней панелью.

Эта мера необходима в следующих ситуациях: исходная установка устройства после подключения, никакие кнопки не действуют, символы ошибок появляются на дисплее.

Кнопка включения

Нажмите кнопку POWER, чтобы включить устройство.

Нажмите кнопку POWER и удерживайте в течение 3 секунд, чтобы выключить питание.

Внимание: Когда Вы выключаете систему или зажигание автомобиля, время, громкость звука и радио настройки будут сохранена в памяти устройства, и при включении установки вернуться к сохраненным значениям.

Регулировка звука

Вращайте регулятор громкости по часовой стрелке, чтобы увеличить уровень громкости. Вращайте против часовой стрелки, чтобы понизить уровень громкости. Или используйте кнопки VOL+/- на ПДУ для настройки громкости звука.

Выключение звука

Когда питание магнитолы включено, нажмите кнопку MUTE, чтобы выключить звук. Нажмите кнопку еще раз, чтобы включить звук.

Выбор режима

Нажмите на регулятор настроек радио, чтобы войти в настройки Режим. Нажимайте кнопку MOD на панели устройства или кнопку MODE на ПДУ, чтобы выбрать режим работы устройства: AUX => RADIO => DISK => USB => CARD (индикация носителей будет отображаться, если они вставлены в магнитолу).

Примечание: режимы USB, CARD, DISK будут отображены на дисплее только тогда, когда соответствующий носитель будет установлен в слот.

Регулятор сабвуфера

Нажмите и удерживайте кнопку BND/NP/SUB на панели или кнопку BAND/SYS, чтобы включить режим выхода сабвуфера. Для работы внешнего усилителя требуется сабвуфер.

Регулировка аудио настроек

Нажмите кнопку SEL на передней панели или на ПДУ, чтобы выбрать режим: VOL (громкость) => BAS (низкие частоты) => TRE (высокие частоты) => BAL (баланс левые/ правые динамики) => FAD (баланс задние/ передние динамики) => LOUD (громкость басов) => LOC (локальные/удаленные станции) => ST (стерео/моно) => BEEP (звуковое сопровождение нажатия кнопок) => EQ (эквалайзер) => COLOR 1 (выбор цвета подсветки).

Вращайте регулятор громкости или нажимайте кнопки VOL +/- на ПДУ, чтобы отрегулировать каждую настройку:

- VOLUME: 00, 02,....., 39
- BASS/TREBLE: -7, -5,....., 0, +1, +2,.....+5, +7
- BALANCE: 7L,....., 7R
- FADER: 7R,....., 7F
- LOUD: ВКЛ/ВЫКЛ
- LOC: ВКЛ (Локальные)/ВЫКЛ (Удаленные)
- ST: ВКЛ/ВЫКЛ
- BEEP: ВКЛ/ВЫКЛ
- EQ: CLASS, POP, ROCK, FLAT, OFF
- COLOR: COLOR1, COLOR2.

ВНИМАНИЕ: Каждая настройка отображается на дисплее в течение 5 секунд. Если в течение этих 5 секунд ни одна кнопка не была нажата, дисплей вернется в обычный режим.

Установка и отображение часов

В режиме радио нажмите и удерживайте кнопку SEL, чтобы войти в режим установки времени. Вращайте регулятор громкости по часовой стрелке, чтобы выставить часы. Коротко нажмите кнопку SEL для перехода в режим установки минут. Вращайте против часовой стрелки, чтобы выставить минуты.

Еще раз нажмите кнопку SEL, чтобы сохранить настройки или через 5 секунд устройство автоматически вернется к текущему режиму.

Цифровой тюнер

Внимание: Сервис RDS (Система радио данных) доступен не во всех регионах. Имейте в виду, что если услуга RDS не доступна в Вашем регионе, то данная функция не будет работать.

Выбор диапазона

Нажимайте на кнопку BND/NP/SUB на передней панели или BND/TA/SYS на ПДУ, чтобы выбрать диапазон: FM1, FM2, FM3, AM1, AM2.

Ручной/ автоматический поиск радиостанций

- Автоматический поиск: Нажмите и удерживайте в течение 2 секунд кнопки PREV/NEXT, чтобы начать автоматический поиск. Поиск прекратится при приеме первой станции с сильным сигналом, при этом начнется ее воспроизведение. Нажмите еще раз, чтобы найти следующую станцию.
- Ручной поиск: Нажмите кнопки PREV/NEXT, чтобы вручную уменьшить или увеличить частоту.

Сохранение и вызов радио станций

Вы можете хранить и воспроизводить 6 радио станций в каждом из 5 поддиапазонов.

- Чтобы сохранить станцию:
- Выберите диапазон (если нужно).
- Выберите станцию при помощи кнопок PREV/NEXT или кнопок поиска SEEK +/- на ПДУ.
- Нажмите и удерживайте в течение двух секунд кнопку с номером 1~6, под которым Вы бы хотели сохранить эту станцию.
- Чтобы вызвать станцию:
- Выберите диапазон (если нужно).
- Нажмите на кнопку с номером нужной сохраненной станции 1~6.

Функция автоматического сохранения станций в памяти

Прослушивание сохраненных станций: Нажмите кнопку APS на панели или кнопку AMS/RPT на ПДУ, чтобы прослушать все сохраненные в текущем диапазоне станции в течение 5 секунд. Чтобы остановить прослушивание, снова нажмите эту кнопку. Для прослушивания сохраненных станций нажмите кнопки 1-6.

Автоматическое сохранение: Нажмите и удерживайте кнопку APS на панели или кнопку AMS/RPT на ПДУ более 2 секунд, 6 самых сильных доступных станций будут автоматически сохранены в памяти кнопок 1~6. Чтобы остановить автоматическое сохранение, снова нажмите на кнопку APS на панели или AMS/RPT на ПДУ.

Выбор режима аудио

Нажимайте кнопку ST/PROG на ПДУ для выбора режима МОНО или СТЕРЕО.

Или нажимайте кнопку SEL на передней панели или на ПДУ, чтобы выбрать режим ST. Вращайте регулятор громкости или нажимайте кнопку VOL +/- на ПДУ, чтобы выбрать STEREO или MONO. Нажимайте кнопку SEL, чтобы выйти из настроек.

Контроль местного/удаленного приема

Нажимайте кнопку SEL на передней панели или на ПДУ, чтобы выбрать режим LOC (функция приема местных или региональных радиостанций). Вращайте регулятор громкости или нажимайте кнопки VOL +/- на ПДУ, чтобы включить функцию (LOC ON) или выключить ее (LOC OFF). Нажимайте кнопку SEL, чтобы выйти из настроек. Или в режиме радио нажмите кнопку LOC/RDM на ПДУ для выбора местного или удаленного приема.

Данная функция позволяет улучшать прием станций в зависимости от места нахождения автомобиля.

Функция AF (Альтернативные частоты)

При слабом сигнале функция Альтернативных частот позволяет приемнику настраиваться на другие станции с тем же идентификационным кодом, что и текущая станция, но с более сильным сигналом. При этом вместо частоты на дисплее появится название станции.

В режиме радио нажмите кнопку AF на панели для выбора (ON) или (OFF). Или нажмите кнопку LOC/ RDM на ПДУ, чтобы включить или выключить функцию AF. При включенном режиме AF радио постоянно проверяет силу сигнала альтернативных частот, на которых может транслироваться RDS программа. Если сигнал слабый или исчезает, тюнер будет автоматически искать другую частоту с этой программой.

Если RDS служба не доступна в Вашей местности, выключите режим AF. По умолчанию установлен режим ON (вкл.).

Функция ТА (поиск программ о дорожном движении)

В режиме радио нажмите кнопку ТА на панели для выбора (ON) или (OFF).

Или нажмите и удерживайте в течение 2 секунд кнопку BND/SYS на ПДУ, чтобы включить или выключить функцию ТА. Начнется автоматический поиск программ дорожного движения вне зависимости от текущего режима. Когда программа будет найдена, начнется ее трансляция. Когда программа закончится, магнитола вернется к текущему режиму.

ФункцияPTY (Тип программы)

FM-станции, поддерживающие RDS, передают идентифицирующий сигнал типа программы.

В режиме радио нажмите кнопку PTY/CLK, чтобы выбрать функцию PTY.

При включенной функции PTY приемник начинает поиск соответствующего типа программы (см. таблицу ниже). И останавливается, когда программа найдена. Если в течение 2 секунд ни одна программа не была выбрана, приемник настроится на предыдущую программу. Если за один цикл нужный тип программы не найден, приемник вернется к текущему режиму.

Кнопка с цифрой	Музыка	Информация
1	Pop, Rock	News, Affairs, Info
2	Easy, Light	Sport, Educate, Drama
3	Classics	Culture, Science, Varied
4	Jazz, Country	Weather, Finance, Children
5	Nation, Oldies	Social, Religion, Phone IN
6	Folk	Travel, Leisure, Document

Нажмите и удерживайте кнопку SEL, затем нажимайте ее, пока на дисплее не отобразятся режимы ТА SEEK/ТА ALARM, MASK, RETUNE. Затем вращайте регулятор VOL, чтобы настроить каждый режим. После выбора не производите никаких действий с устройством, активация функции произойдет автоматически.

ТА SEEK/ТА ALARM

В режиме ТА SEEK, устройство будет искать станции передающие информацию о дорожном движении; в режиме ТА ALARM, поиск не идет, но когда произойдет происшествие или чрезвычайная ситуация на дорогах, то устройство активирует систему передачи этой информации.

MASK DPI/MASK ALL

После включения режима AF (поиск альтернативных частот с той же программой), программа, которую вы прослушиваете, может быть замещена другой программой, которая вещает на той же частоте, чтобы этого избежать активируйте функцию MASK DPI. Так же программа, которую вы прослушиваете, может быть замещена не только другой программой, которая вещает на той же частоте, но и программой с сильным сигналом, чтобы этого не произошло, активируйте функцию MASK ALL.

Режим RETUNE

Retune-S или Retune-L – это выбор временного интервала повторного поиска в режиме TA Seek.

Retune S: короткий, интервал поиска в режиме TA SEEK 30 секунд.

Retune L: длинный, интервал поиска в режиме TA SEEK 90 секунд.

Примечание: Режим Retune для режима TA активен только для TA SEEK.

Используемая терминология

РВС (управление воспроизведением)

Управление воспроизведением – это меню, записанное на видео компакт-дисках. Использование экранного меню видео компакт-диска с РВС, позволяет Вам пользоваться простыми интерактивными программами с функциями поиска. Вы также можете просматривать неподвижные изображения с высоким разрешением.

Раздел

Большой объем диска позволяет записывать несколько фильмов или роликов. Например, если 1 диск содержит 3 разных фильма (ролика), они подразделяются как Раздел 1, Раздел 2 и Раздел 3. Это позволяет Вам пользоваться удобными функциями поиска.

Глава

Любой раздел может состоять из отдельных блоков, каждый из которых можно просматривать отдельно. Такой блок называется главой. В каждой главе должно содержаться не меньше одного трека.

Трек

Трек – это дорожка, музыкальная или видео композиция. Например, песня, записанная на диске, является треком.

Воспроизведение дисков

Диски для воспроизведения

- Это устройство может воспроизводить разновидности цифровых дисков: CD/DVD/CDDA/CD-R/-RW/DVD±R/±RW.
- Совместимо с форматами: DVD-video, SVCD/VCD/HDCD/MP3/MP4/WMA/ Picture-CD/JPEG/ DivX/MPEG4.
- Поддерживаются следующие типы файлов:
 - Аудио файлы: MP3 (*.mp3)
WMA (*.wma)
 - Видео файлы: MP4 (*.avi, DIVX3.11/4.0/5.0/6.0 and XVID)
MPEG 2(*.vob)
MPEG 1(*.dat)
 - Файлы с изображениями: JPEG (*.jpg)
- ISO 9660 или ISO 9660 + формат Joliet - максимум 30 знаков.
- Максимальное число треков – 448.
- Максимальное число вложений - 8 уровней.
- Максимальное число альбомов – 99.
- Максимальная длина каждого трека - 99 минут 59 секунд.
- Поддерживаемая частота дискретизации для MP3 диска: от 8 кГц до 48 кГц (предпочтительно 44,1 кГц).
- Поддерживаемые скорости цифрового потока MP3 диска: 32 - 320 Кб/сек (предпочтительно 128 Кб/сек).
- НЕ ПОДДЕРЖИВАЮТСЯ следующие форматы: *.ACC, *.DLF, *.M3U, *.PLS, MP3 PRO, файлы с DRM.
- Диски с открытой сессией записи НЕ ПОДДЕРЖИВАЮТСЯ.

Примечания по USB/ SD/ MMC разъемам

Воспроизведение MP3 файлов с USB карт (флеш-память).

Поддержка карт памяти SD/ MMC, 2в1 (SD/MMC).

Поддержка USB флеш-карты.

Поддержка FAT 12/ FAT 16/ FAT 32

- FAT 12/ 16 (поддержка 200 папок, 500 файлов),
- FAT 32 (поддержка 200 папок, 500 файлов).

Имя файла: 32 байта/ имя папки: 32 байта.

- Тэг (id3tag ver 2.0)

Имя/ Исполнитель/ Альбом: поддержка 32 байтов.

Многофункциональный карт-ридер НЕ ПОДДЕРЖИВАЕТСЯ.

Поддержка формата USB 2.0.

Примечание:

USB: Поддержка формата USB 2.0. Емкость: 8 Мб ~ 1 Гб.

SD: Поддержка брендов SD карт памяти: Cannon, Fuji film, Palm, Motorola, Microsoft, IBM, HP, Compaq, Sharp, Samsung, и т. д. Емкость: 8 Мб ~ 1 Гб.

MMC: Поддержка брендов MMC карт памяти: Ericsson, Nokia, Motorola, HP, Palm, Sanyo, Microsystems, и т.д. Емкость: 16 Мб ~ 1 Гб.

Загрузка диска

Включите питание устройства. Установите диск в слот маркированной стороной вверх. Нажмите кнопку EJECT на передней панели, чтобы извлечь диск.

Установка USB/SD/MMC карты

Снимите крышку с USB порта, затем установите USB носитель или карту памяти в соответствующий слот на передней панели. Устройство автоматически переключится на режим USB или SD/MMC карты. Или нажмите кнопку MODE, чтобы выбрать USB. Воспроизведение начнется с первого трека установленного устройства.

Воспроизведение/Пауза

- Когда диск находится в устройстве, нажмите кнопку PLAY/PAUSE на ПДУ, чтобы начать воспроизведение. Чтобы обеспечить высокое качество воспроизведения, дождитесь, пока плеер закончит читать диск, а затем начинайте воспроизведение.
- Во время воспроизведения нажмите кнопку PLAY/PAUSE, режим паузы активируется. Нажмите кнопку повторно, чтобы продолжить воспроизведение.

Остановка воспроизведения

Во время воспроизведения нажмите кнопку STOP на передней панели или кнопку STOP/REVERSE на ПДУ, чтобы остановить воспроизведение.

Переход к предыдущему или следующему треку

- Нажмите во время воспроизведения кнопку PREV, чтобы начать воспроизведение предыдущего трека.
- Нажмите во время воспроизведения кнопку NEXT, воспроизведение начнется со следующего трека.

Ускоренное воспроизведение вперед или назад

Во время воспроизведения нажмите и удерживайте кнопки PREV/NEXT, чтобы начать ускоренное воспроизведение назад или вперед. Отпустите кнопку, когда нужный фрагмент будет найден.

Воспроизведение в замедленном режиме

1. В режиме DVD, VCD нажимайте кнопку SLOW на ПДУ для замедленного воспроизведения со скоростями: 1/2, 1/3, 1/4, 1/5, 1/6, 1/7, нормальный.
2. Нажмите кнопку ENTER для отмены замедленного воспроизведения.

Повтор воспроизведения

Во время воспроизведения трека нажмите и удерживайте кнопку RPT на передней панели или нажмите кнопку AMS/RPT на ПДУ, чтобы начать его повторное воспроизведение. Нажмите еще раз, чтобы отменить функцию повтора.

Случайное воспроизведение

Во время воспроизведения трека нажмите и удерживайте кнопку RDM на передней панели или нажмите кнопку LOC/RDM на ПДУ, чтобы начать случайное воспроизведение всех треков. Нажмите еще раз, чтобы отменить функцию.

Функция Intro

Вы можете последовательно воспроизводить начало каждого трека в течение 10 секунд. Во время воспроизведения треков нажмите и удерживайте кнопку INT, чтобы начать воспроизведение всех треков. Нажмите повторно, чтобы отменить функцию.

Отображение информации на дисплее

Нажмите кнопку OSD на ПДУ. На дисплее отобразится номер текущего раздела/всего разделов на диске, номер текущей главы/всего глав на диске, время воспроизведения.

Изменение масштаба изображения

Нажмите кнопку ZOOM на ПДУ. Изображение при каждом нажатии будет увеличиваться в порядке: X2, X3, X4, 1/2, 1/3, 1/4, выкл.

Выбор языка аудио

Нажимайте кнопку AUDIO на ПДУ, чтобы выбрать язык аудио (если DVD диск поддерживает несколько языков).

Изменение угла (Только для DVD дисков)

Если DVD-диск поддерживает воспроизведение с различных точек съемки, нажмите кнопку ANGLE на ПДУ для воспроизведения изображений с различных точек съемки. Если диск не поддерживает многоугловое воспроизведение, эта функция не будет работать. Если в течение 1 секунды не будут выполнены никакие операции, описание точек съемки исчезнет.

Изменение языка субтитров

Только для DVD дисков.

1. Нажимайте кнопку SUB-T на ПДУ для переключения среди поддерживаемых диском языков. Если диск поддерживает только один язык субтитров, функция не будет работать.
2. Нажмите кнопку ENTER, чтобы подтвердить настройку.

Использование разделов

Только для DVD дисков.

1. Нажмите кнопку TITLE на ПДУ, на дисплее появится список разделов или глав диска.
2. При помощи кнопок курсора или кнопок с цифрами выберите нужный пункт.
3. Нажмите кнопку ENTER. Плеер начинает воспроизводить выбранный раздел/главу.

PBC (Управление воспроизведением)

Только для VCD дисков.

Если вы вставляете VCD с функцией PBC, автоматически начинается воспроизведение с начала 1-ого трека.

2. Нажмите кнопку PBC/MENU на ПДУ, чтобы во время воспроизведения активизировать интерактивное меню на экране.
3. Если меню состоит из списка разделов, Вы можете непосредственно выбирать последовательность их воспроизведения при помощи кнопок со стрелками и кнопок с цифрами – для ввода номеров разделов.
4. При вводе номера воспроизведение начнется автоматически, при выборе раздела нажмите кнопку ENTER, чтобы начать его воспроизведение.
5. Нажмите STOP на ПДУ, чтобы возвратиться к меню диска VCD.
6. Снова нажмите кнопку PBC/MENU, чтобы выйти из меню.

Функция поиска GOTO

Используйте эту кнопку для выбора раздела, главы или времени, с которого Вы хотите начать воспроизведение.

Во время воспроизведения нажмите кнопку GOTO на ПДУ, чтобы открыть меню поиска.

Для VCD нажмите на кнопку GOTO, чтобы открыть меню поиска по времени. Нажимайте на кнопки с цифрами, чтобы ввести время, с которого Вы хотите начать воспроизведение (чч:мм:сс). Например, чтобы ввести время 18 ч 20 м 00 с, вводите цифры: 1 => 8 => 2 => 0 => 0 => 0. Нажмите кнопку ENTER на ПДУ, чтобы начать воспроизведение.

Для **DVD** нажмите кнопку GOTO, чтобы открыть меню поиска.

При помощи кнопок с цифрами введите номер нужного трека или раздела. Например, для ввода номера раздела 234, вводите цифры: 2 => 3 => 4. Нажмите кнопку ENTER, чтобы начать воспроизведение.

Или нажмите кнопку курсора на ПДУ, чтобы перейти к выбору номера главы.

При помощи кнопок с цифрами введите номер нужной главы. Нажмите кнопку ENTER, чтобы начать воспроизведение.

Или нажмите на кнопку курсора на ПДУ, чтобы перейти к поиску по времени. Нажимайте кнопки с цифрами, чтобы ввести время, с которого Вы хотите начать воспроизведение (чч:мм:сс). Например, чтобы ввести время 18 ч 20 м 00 с, вводите цифры: 1 => 8 => 2 => 0 => 0 => 0. Нажмите кнопку ENTER на ПДУ, чтобы начать воспроизведение.

Программирование воспроизведения

Во время воспроизведения нажмите кнопку ST/PROG на ПДУ для входа в меню программирования. С помощью кнопок курсора на ПДУ выберите последовательность воспроизведения треков.

Выбор типа ТВ (для DVD/VCD)

Нажмите кнопку BND/NP/SUB на панели для выбора типа ТВ: NTSC => PAL => PAL60 => AUTO.

Обзор MP3

Примечания по MP3 и WMA

- MP3 это краткое обозначение аудио слоя MPEG 3 и относится к стандарту технологии сжатия звука.
- Данное изделие позволяет воспроизводить файлы MP3 на дисках CD-ROM, CD-R или CD-RW.
- Изделие может считывать файлы MP3, записанные в формате, соответствующем ISO 9660. Однако оно не поддерживает данные MP3, записанные методом пакетной записи.
- Изделие не может считывать файлы MP3, которые имеют расширение файла, отличающееся от “.mp3”.
- Если вы воспроизводите не MP3 файл, который имеет расширение “.mp3”, вы можете слышать некоторые шумы.
- В данном руководстве мы рассматриваем файлы, называемые “файлами MP3” и “папкой”, а в технологии PC “дорожкой” и “альбомом” соответственно.
- Максимальное количество уровней директории равно 8, включая корневую директорию. Максимальное количество файлов и папок на диске 256.
- Изделие может не воспроизводить дорожки в последовательном порядке.
- Изделие воспроизводит только аудио треки, если диск содержит как аудио треки, так и файлы MP3.
- При воспроизведении диска 8 килобит или VBR, истекшее время воспроизведения в окне дисплея будет неправильным, а также ознакомительное воспроизведение может не действовать надлежащим образом. VBR: Переменная скорость передачи битов.
- Устройство поддерживает воспроизведение WMA файлов. Воспроизведение ID3 тегов для формата WMA не является гарантированным, так как это зависит от версий и наличия кириллицы.
- WMA (Windows Media Audio) – формат сжатия музыкальных данных, созданный Microsoft Corporation. Формат использует алгоритмы кодирования для сжатия исходной аудиозаписи, значительно уменьшая размеры файла, но, сохраняя хорошее качество звука даже при низких (например, 64 Кбит/сек) скоростях передачи данных (битрейтах).
- Помните, что изделие может не воспроизводить треки в том порядке, в котором они записаны на диске.

Примечание по созданию собственных CD-R или CD-RW, содержащих файлы MP3

- Для получения высокого качества звука мы рекомендуем преобразовывать файлы MP3 с эталонной частотой 44,1 кГц и фиксированным битрейтом 128 кбит/сек. Не сохраняйте более 256 файлов MP3 на диске.

- Для формата, совместимого с ISO 9660, максимально допустимая глубина вложенных папок равняется 8, включая корневую директорию (папку).
- При использовании диска CD-R воспроизведение возможно только для дисков, на которых закрыта сессия. Убедитесь, что при записи MP3 CD-R или CD-RW были отформатированы как диски данных, а НЕ как аудио диски.
- Не рекомендуется записывать не-MP3 файлы или ненужные папки вместе с файлами MP3 на диск, в противном случае потребуются много времени, пока изделие начнет воспроизводить файлы MP3.
- На некоторых CD-R или CD-RW данные могут быть записаны особым образом. В этом случае данные могут быть воспроизведены не надлежащим образом. Рекомендуются диски CD-R или CD-RW высокого качества.
- Имя альбома или композиции может содержать до 16 символов. Необходима версия 1.x ID3TAG.
- Помните, что изделие может не воспроизводить треки в том порядке, в котором они записаны на диске.

Операции с меню

Нажмите кнопку SETUP на пульте дистанционного управления, чтобы отобразить экран установки, используйте кнопки курсора ВЛЕВО/ВПРАВО и кнопку ENTER, чтобы выбрать страницу настроек: Системные установки, Установка языка, Установка аудио, Установка видео, Цифровые установки.

Системные установки

Система ТВ

Выберите систему ТВ (NTSC, PAL, PAL-M, PAL-N, AUTO).

Заставка

Заставка появляется через 3 минуты после остановки диска. Исходная установка: Включено.

Формат ТВ

Выберите режим экрана для просмотра широкоэкранных фильмов.

4:3 PS: Для размера экрана 4:3. Края изображения будут обрезаны.

4:3 LB: Для размера экрана 4:3, сверху и снизу изображения появятся черные полосы.

16:9: Для размера экрана 16:9.

Пароль

Исходный пароль – 0000.

Ограничение

Рейтинг диска от 1 до 8:

(1) С большим количеством ограничений.

(8) С маленьким количеством ограничений.

Исходная установка: 8

Внимание: Вы можете установить рейтинг только при выключенной функции пароля, ограничения будут действовать только при включенной функции пароля.

Заводские установки

Если выбран этот режим, телевизор вернется к исходным установкам.

СИСТЕМНЫЕ УСТАНОВКИ

СИСТЕМА ТВ

ЗАСТАВКА

ФОРМАТ ТВ

ПАРОЛЬ

ОГРАНИЧЕНИЕ

ЗАВОД. УСТАН.

Установки языка

Язык

Выберите язык экранного меню.

Язык аудио

Выберите язык аудио. Вы также можете выбрать язык из предложенных на DVD диске. (Экран Вашего проигрывателя может отличаться от приведенного в данной инструкции).

Язык субтитров

Выберите язык субтитров. Вы также можете выбрать язык субтитров из предложенных на DVD диске.

Язык меню: Выберите язык меню. Вы также можете выбрать язык аудио из предложенных на DVD диске.

УСТАНОВКИ ЯЗЫКА

МЕНЮ
ЗВУК
СУБТИТРЫ
МЕНЮ ДИСКА

Аудио установки

Аудио выход

Выберите формат аудио выхода.

БЫКЛ: Отсутствует выходной сигнал коаксиального или оптического выхода.

SPDIF/RAW: Телевизор соединен с усилителем при помощи коаксиального или оптического кабеля.

SPDIF/PCM: Телевизор соединен с двухканальным усилителем аудио системы.

Тон. Настройте данный параметр с помощью кнопок курсора ВВЕРХ/ВНИЗ.

АУДИО УСТАНОВКИ

ЦИФРОВОЙ ВЫХОД
ТОН

Настройки видео

Настройте нужный параметр с помощью кнопок курсора ВВЕРХ/ВНИЗ:

Яркость, Контрастность, Оттенок, Насыщенность, Резкость.

ВИДЕО НАСТРОЙКИ

ЯРКОСТЬ
КОНТРАСТНОСТЬ
ОТТЕНОК
НАСЫЩЕННОСТЬ
РЕЗКОСТЬ

Установки АС

Режим каналов

LT/RT: во время воспроизведения диска со звуковым эффектом PRO LOGIC Dolby, выберите данную функцию для воспроизведения сигнала с эффектом живого звука.

Сtereo: Выберите этот пункт, если плеер подключен к обычной стереосистеме.

Объемный звук: если Вы выбрали эту функцию, когда диск воспроизводится с каналов 5.1, звуковой сигнал будет идти из главных динамиков (функция приемлема только для 5.1 CH воспроизведения).

УСТАНОВКИ АС

РЕЖИМ КАНАЛОВ

Цифровые установки

Режим каналов

Выберите режим выходного сигнала:

LINE OUT: Сжатие входного сигнала. Низкий уровень громкости.

RF REMOD: Высокий уровень громкости.

Динамический диапазон

Если Вы выбрали режим сжатия “line out”, выберите этот пункт, чтобы установить пропорции сжатия и получить другой эффект. При выборе пункта “Full”, аудио сигнал будет минимальным, при выборе “Off”, аудио сигнал будет максимальным.

Двойной моно

Выберите канал аудио сигнала: Стерео, Моно левый, Моно правый, Смешанный моно.

ЦИФРОВЫЕ УСТАНОВКИ

РЕЖИМ СЖАТИЯ
ДИНАМ. ДИАПАЗОН
МОНО/СТЕРЕО

Система защиты от кражи

Данное изделие снабжено сдвигаемой съемной и маскирующей панелью. Панель можно снять и взять с собой, что помогает избежать воровства.

Подсоединение съемной панели

Снятие панели

1. Нажмите на кнопку PWR, чтобы выключить питание устройства.
2. Нажмите на кнопку REL на панели.
3. Сдвиньте панель вправо и вытяните ее на себя.
4. Поместите панель в портфель и возьмите ее с собой, когда вы покидаете автомобиль.

Подсоединение съемной панели

1. Держите панель так, чтобы ее лицевая сторона была направлена на Вас, и установите левую сторону в кронштейн.
2. Нажмите на правую часть панели, чтобы она защелкнулась.

Съем изделия

1. Снимите панель.
2. Вставьте два Т-образных ключа в отверстие лицевой стороны, пока не услышите щелчок.
3. Выньте изделие (рис. 1).

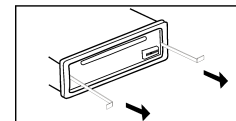


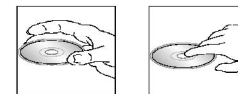
Рис. 1

Обращение с компакт-дисками

- Грязные, поцарапанные или погнутые диски могут вызвать искажение звука или шумы.
- Держите диск только за края (как показано на рисунке). Чтобы обеспечить чистоту, не прикасайтесь к его поверхности.
- Диски должны храниться в их чехлах после использования, чтобы не поцарапать их поверхность.
- Не подвергайте диски действию прямого солнечного света, повышенной влажности, повышенным температурам или действию пыли.
- Продолжительное влияние предельных температур может изогнуть диск (например, пребывание дисков в автомобиле в летнее время).
- Не царапайте и не пишите что-либо на любой стороне диска. Острые пирующие инструменты или чернила, используемые в них, могут повредить поверхность диска.
- Не прикасайтесь к стороне, не имеющей маркировки.
- Не прикрепляйте какую-либо печать, этикетку или лист предохранения данных к любой стороне диска.
- Данное изделие не может воспроизводить CD размером 3 дюйма (8 см).
- Никогда не вставляйте CD размером 3 дюйма, установленный в адаптер, или CD неправильной формы. Изделие не сможет выбросить его, что приведет к сбою.

Чистка корпуса

Протирайте мягкой тканью. Если корпус очень загрязнен (не мочите его), используйте ткань, слегка смоченную мыльным раствором, и затем вытрите его сухой тканью.



Чистка дисков

а) Отпечатки пальцев должны быть тщательно стерты с поверхности диска мягкой тканью. В отличие от обычных пластинок, компакт-диски не имеют канавок для сбора пыли и микроскопических частиц грязи, поэтому осторожно вытирайте их мягкой тканью, чтобы убрать частицы грязи. Вытирайте прямолинейным движением от центра к краю.

б) Никогда не используйте растворитель, бензин, очиститель пластинок или антистатический аэрозоль для чистки дисков. Такие химические вещества могут повредить его пластиковые поверхности.

Руководство по исправлению неисправностей

Неисправность	Причина	Решение
Нет питания	Зажигание машины не включено.	Если источник питания подключен надлежащим образом к выключателю машины, установите ключ зажигания в положение “АСС”. Замените предохранитель.
	Сгорел предохранитель.	
Невозможно загрузить диск	В плеер установлен диск.	Удалите диск из плеера, затем установите новый.
Невозможно считать диск	Диск установлен верхней стороной вниз.	Установите компакт диск стороной с этикеткой вверх. Очистите диск или установите новый. Подождите, пока температура не станет нормальной.
	Диск загрязнен или имеет дефект.	
	Температура внутри машины очень высокая.	
Нет звука	Звук установлен на минимум.	Отрегулируйте звук до необходимого уровня. Проверьте подключение кабеля.
	Кабель не подключен надлежащим образом.	
Не действуют кнопки	Встроенный микрокомпьютер не работает надлежащим образом из-за шумов.	Нажмите кнопку POWER и держите в течение 10 секунд, чтобы сбросить настройки.
	Передняя панель не установлена на свое место.	
Звук пропадает	Угол установки устройства более 30 градусов.	Отрегулируйте угол установки, установив его менее 30 градусов. Очистите диск или установите новый.
	Диск загрязнен или имеет дефект.	
Радио не работает. Не работает автоматический выбор радиостанции	Антенный кабель не подключен. Сигналы слишком слабы.	Вставьте антенный кабель надежно. Выберите станцию вручную.

Технические характеристики

Общие	
Источник питания	12 В, постоянное
Потребляемый ток/Предохранитель:	10А & 1А
Максимальная выходная мощность:	50 Вт x 4 канала
Размеры (Ш x В x Д)	178 x 50 x 165 мм
Диапазон температур	-20°C - +60°C
Сtereo FM радио	
Частотный диапазон:	87.5 - 108.0 МГц
Чувствительность/ Промежуточная частота:	3 мкВ/ 10.7 МГц
MW радио	
Частотный диапазон:	522-1620 кГц
DVD дека	
Формат	DVD/SVCD/VCD/MP4/MP3/WMA/CD/HDCD/DVD Audio/MPEG4/DivX/Picture-CD/Photo-CD/CD-R/CD-RW/DVD±R/JPEG
Видео система/ Аудио система	Стандарт NTSC/PAL / 24 бит/96 кГц
Система загрузки диска	Автозагрузка
Угол монтажа	0 - +/-30
Видео	
Система видео	16:9 и 4:3
Горизонтальное разрешение	500
Уровень сигнала на выходе	1.0 В, 75 Ом
Аудио	
Максимальный уровень сигнала на выходе	2 В RMS (+/-3 дБ)
Частотный диапазон	20 Гц – 20 кГц
Уровень сигнал-шум (A-vtd)/Разделение	60 дБ/50 дБ

Линейный выход	
Линейный выход	CD макс. 2000 мВ

Технические характеристики могут быть изменены заводом-изготовителем без предварительного уведомления. Указанные геометрические размеры имеют приблизительные значения.

