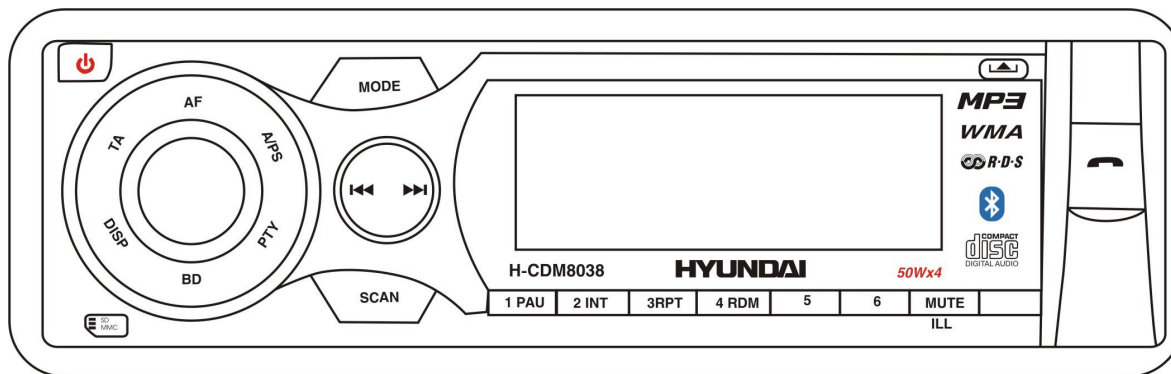


HYUNDAI

H- CDM8038



CD/MP3/WMA – RECEIVER

Instruction manual

CD/MP3/WMA - РЕСИВЕР

Руководство по эксплуатации

Dear customer!

Thank you for purchasing our product. For safety, it is strongly recommended to read this manual carefully before connecting, operating and/or adjusting the product and keep the manual for reference in the future.

Table of contents

Table of contents.....	2
Important safeguards.....	3
Accessories.....	4
Installation/Connections.....	5
Panel controls	9
General operations.....	11
Digital tuner operations.....	16
CD/SD/MMC operations	18
MP3/WMA overview.....	22
Bluetooth (hands-free) operations	24
Anti-theft system	27
Handling discs	27
Cleaning	28
Troubleshooting guide	29
Specification.....	30

Important safeguards

- Read carefully through this manual to familiarize yourself with this high-quality sound system.
- Disconnect the vehicle's negative battery terminal while mounting and connecting the unit.
- When replacing the fuse, be sure to use one with an identical amperage rating. Using a fuse with a higher amperage rating may cause serious damage to the unit.
- Do not attempt to disassemble the unit. Laser beams from the optical pickup are dangerous to the eyes.
- Make sure that pins or other foreign objects do not get inside the unit; they may cause malfunctions, or create safety hazards such as electrical shock or laser beam exposure.
- If you have parked the car for a long time in hot or cold weather, wait until the temperature in the car becomes normal before operating the unit.
- Do not open covers and do not repair yourself. Consult the dealer or an experienced technician for help.
- Make sure you disconnect the power supply and aerial if you will not be using the system for a long period or during a thunderstorm.
- Make sure you disconnect the power supply if the system appears to be working incorrectly, is making an unusual sound, has a strange smell, has smoke emitting from it or liquids have got inside it. Have a qualified technician check the system.
- The unit is designed for negative terminal of the battery, which is connected to the vehicle metal. Please confirm it before installation.
- Do not allow the speaker wires to be shorted together when the unit is switched on. Otherwise it may overload or burn out the power amplifier.
- Do not install the detachable panel before connecting the wire.
- Do not use the unit in places where it can be exposed to water, moisture and dust.

Accessories

Mounting parts

Receiver 1 pc

Bluetooth headset 1 pc

Bluetooth headset pouch 1 pc

Bluetooth headset ear clip 1 pc

Front panel 1 pc

Front panel case 1 pc

Customer information 1 pc

Warranty card 1 pc

Instruction manual 1 pc

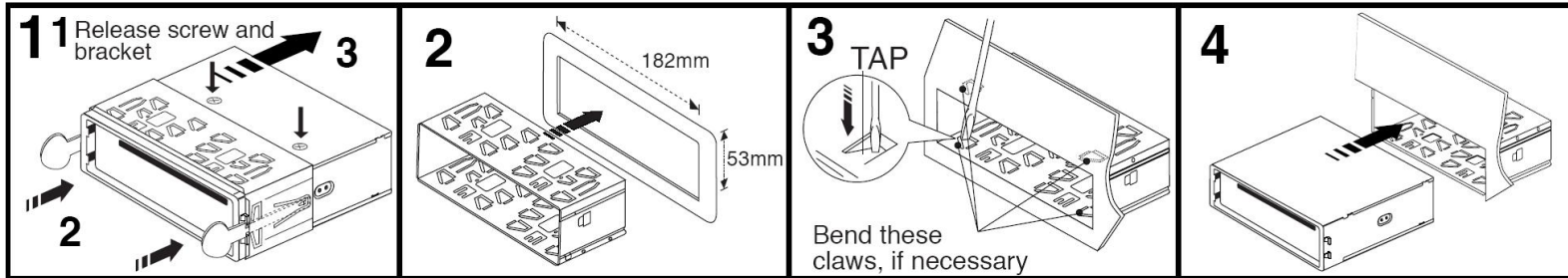
Installation/Connections

Use only the supplied mounting hardware for a safe and secure installation. Be sure to remove the front panel before installing the unit.

Mounting angle adjustment

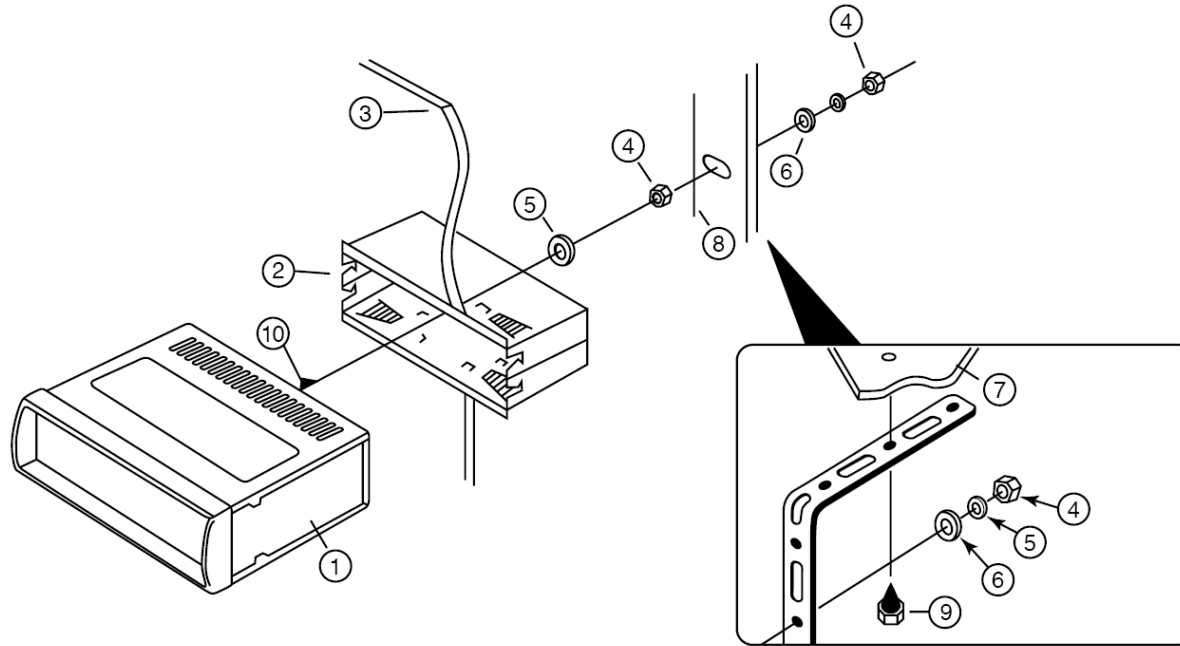
Adjust the mounting angle to less than 20°.

Installation in the dashboard



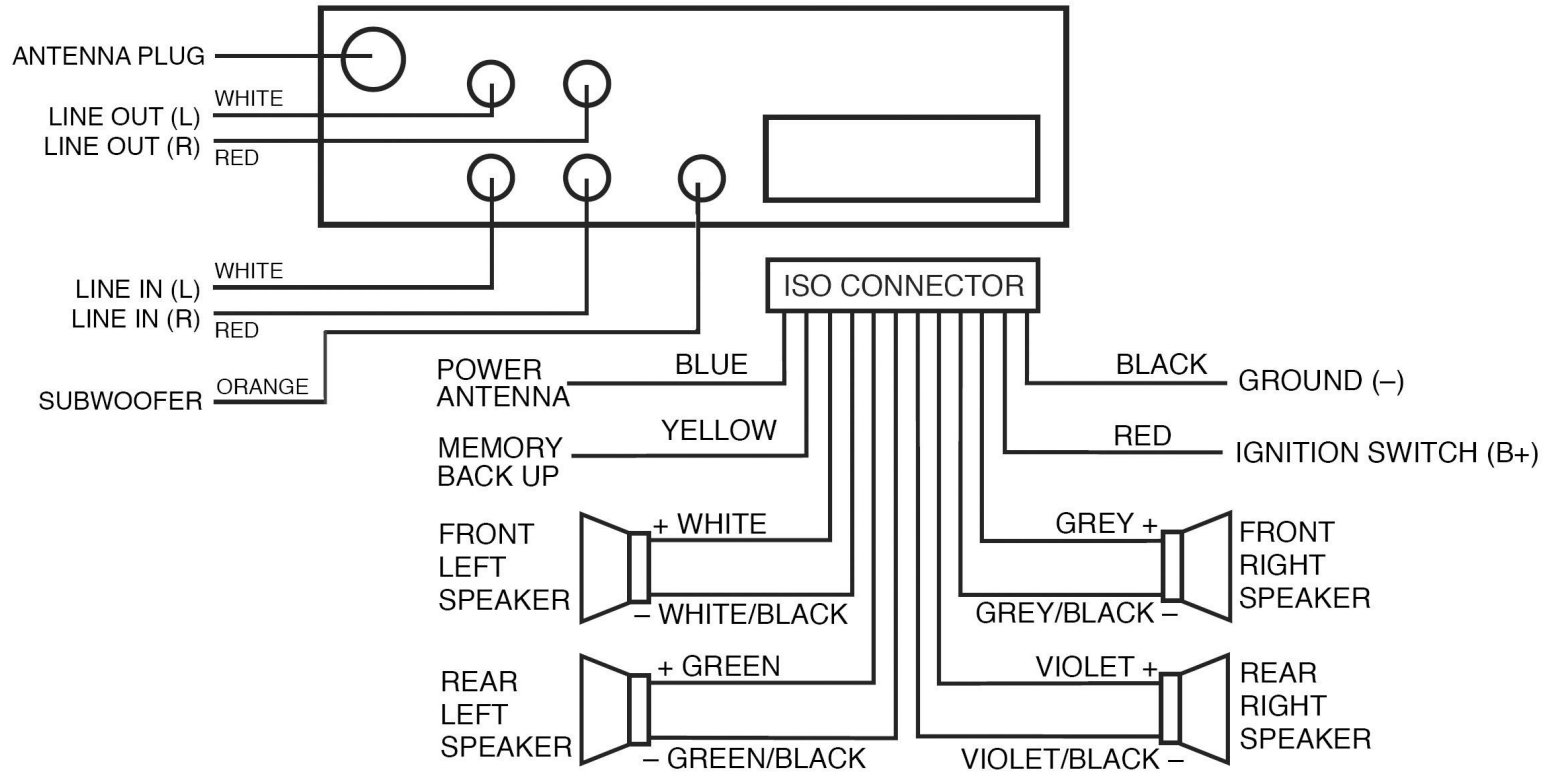
Note: Keep the release key in a safe place as you may need it in the future to remove the unit from the car.

TO SUPPORT THE UNIT



1. Unit
2. Release case
3. Dash board
4. Hex nut
5. Lock washer
6. Plain washer
7. Car body
8. Rear support strap
9. Tapping screw
10. Hex bolt

Electrical connections



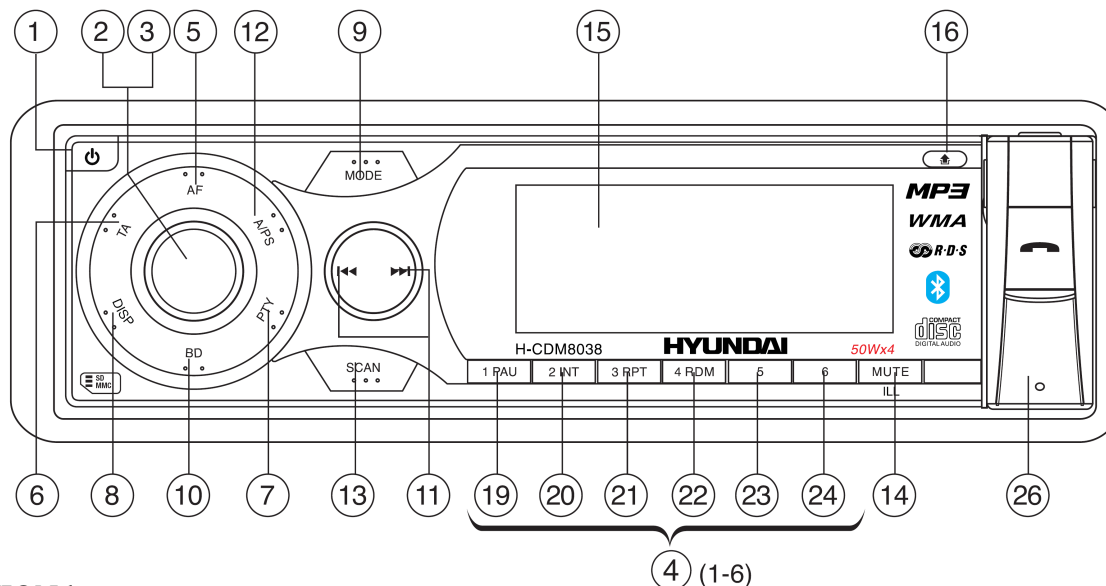
ISO connector

Location	Function	
	Connector A	Connector B
1		Rear Right(+)--Violet
2		Rear Right(--Violet/Black stripe
3		Front Right(+)--Grey
4	Battery 12V (+)/yellow	Front Right(--Grey/Black Stripe
5	Power Antenna/blue	Front Left(+)--White
6		Front Left(--White/Black Stripe
7	ACC+/red	Rear Left(+)--Green
8	Ground/black	Rear Left(--Green/Black Stripe

Panel controls

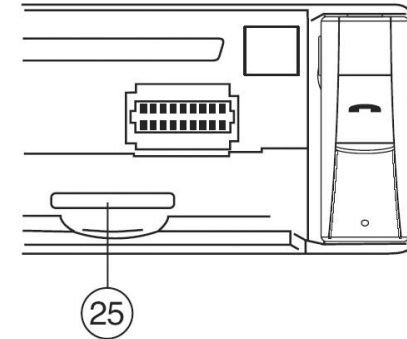
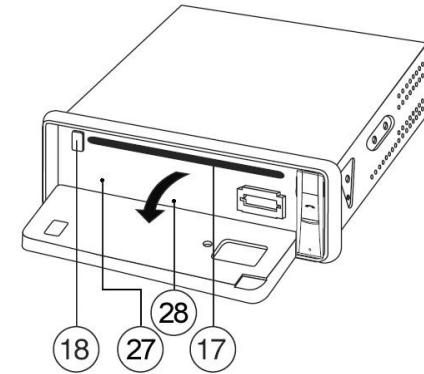
Front panel

1. POWER button
2. SEL button
3. VOL knob
4. Preset stations (1,2,3,4,5,6)
5. AF button
6. TA button
7. PTY button
8. DISP button
9. MODE button
10. BD button
11. PREVIOUS/NEXT button
12. A/PS button
13. SCAN button
14. MUTE/DUAL ILLUMINATION button
15. LCD display
16. OPEN button
17. CD slot
18. EJECT button
19. PAUSE button
20. INT button
21. RPT button
22. RDM button
23. 24. + 10/ -10 TRACK SEARCH DOWN/UP button



- 25. Multi-media card (MMC)/SD card slot
- 26. Wireless bluetooth headset
- 27. RESET button
- 28. Status indicator light

Note: Pressing the RESET button will erase the clock setting and stored stations. Panel status indicator lights up when you slide the panel down; flashes when you remove the panel.



General operations

Reset the unit

Operating the unit for the first time or after replacing the car battery, you must reset the unit.

Press OPEN button on the panel to open the panel and press the RESET button with thin hard object to restore the unit to the original factory settings.

Power ON/OFF

Press any button to turn the unit on. Press and hold POWER button to turn off the unit.

Note: After the unit is off, the volume level and radio current settings will be memorized, and when you turn the unit on it will resume the stored status, which you set.

Display (DISP)

Press DISP button to switch between display information such as radio frequencies, clock, track and other information depending on the playing MODE.

To adjust the time:

- Press DISP button until clock is showed press the DISP button and hold for 2 seconds. Time will start blinking.
- Rotate the VOL knob clockwise to adjust minute.
- Rotate the VOL knob anticlockwise to adjust hour.
- Press DISP button again to save setting.

Mode

By pressing this button, user can select: AUX/TUNER/S-CDP(CD/MP3)/ MMC/SD mode.

Mute

Press this button to mute the sound at once. Press again to return to the previous volume level.

Dual illumination

When press the MUTE button for more than 2 seconds, it is activated as selecting Blue or Red buttons illumination.

Volume control/SELECT

Rotating this knob, you can adjust VOL/BASS/TREB/BAL/FAD. To select the functions, press SEL button shortly until the desired functions are shown on the display.

Increase or decrease the volume by turn the VOL knob right or left. These buttons can be used to adjust the BASS, TREBLE, BALANCE and FADER.

Other functions

To choose the corresponding mode, press SEL button for 2 seconds, and then press it repeatedly until the display shows the mode. Rotate the knob to choose the needed value. After choosing, please leave the unit idle to activate.

TA SEEK/TA ALARM



In TA SEEK mode, the unit will seek for traffic announcement program when TA is pressed; in TA ALARM mode the alarm is set off.

MASK DPI/MASK ALL



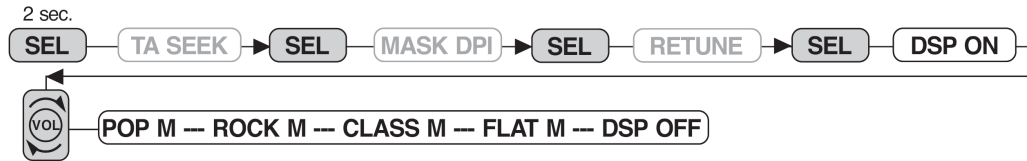
During MASK DPI mode, the unit will mask only the AF which has different PI, this is the default mode; during MASK ALL mode, the unit will mask the AF which has different PI and no RDS signal with high field strength.

RETUNE S/L - SHORT/LONG



“RETUNE” refers to the time period the unit allows for radio scan when reception is interrupted. “S” represents a time period of 30 seconds and “L” represents a time period of 90 seconds.

AUDIO DSP CONTROLS



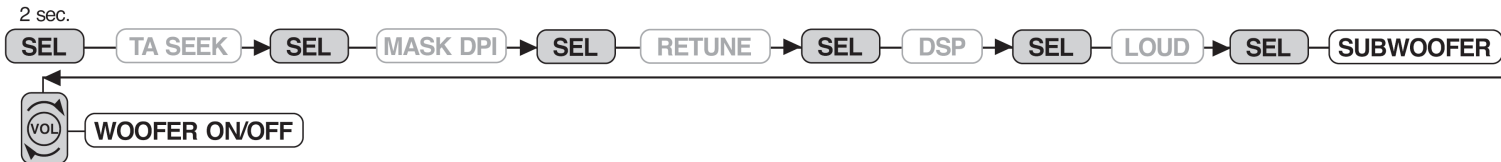
Choose equalizer mode: POP M => ROCK M => CLASS M=> FLAT M =>DSP OFF.

LOUDNESS CONTROLS



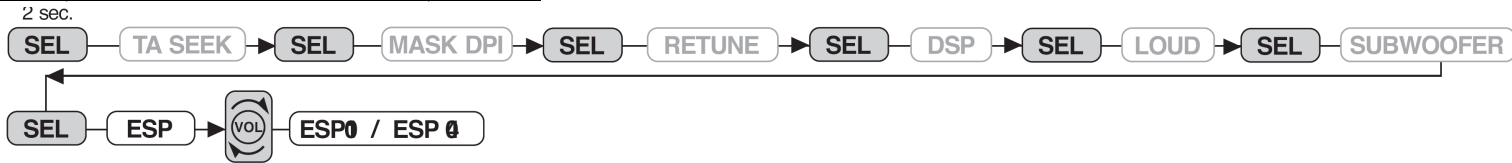
Select LOUD ON or OFF. In ON mode the bass and treble response will be boosted.

SUBWOOFER MODE



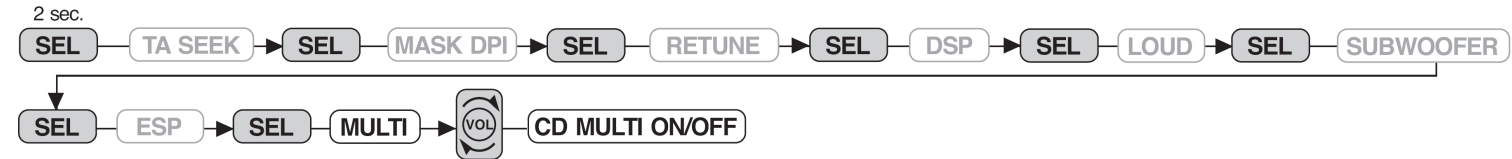
Choose the Subwoofer On or OFF.

ESP (Electronic Shock Protection) MODE



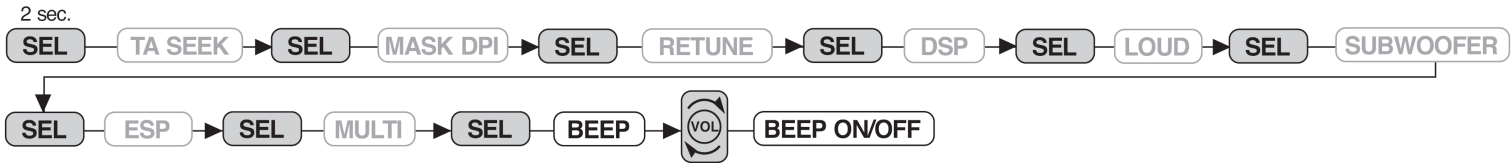
Note: 10 sec./40 sec. for CD, 120 sec. for MP3 automatically works.

MULTI CD SELECTION



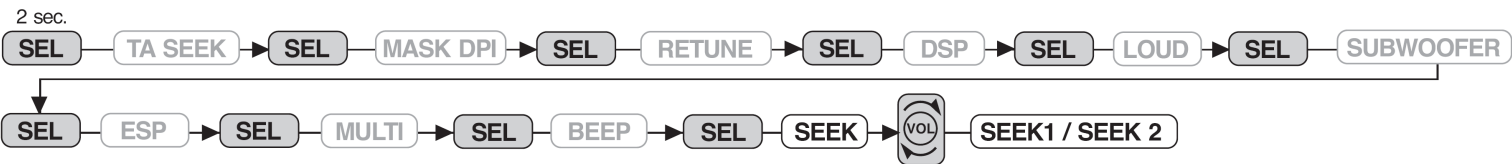
Choose CD MULTI ON or OFF. CD MULTI ON: Read multi section CD. CD MULTI OFF: Read first section only.

BEEP MODE



BEEP ON: BEEP sound can be heard from speaker when the buttons are pressed.

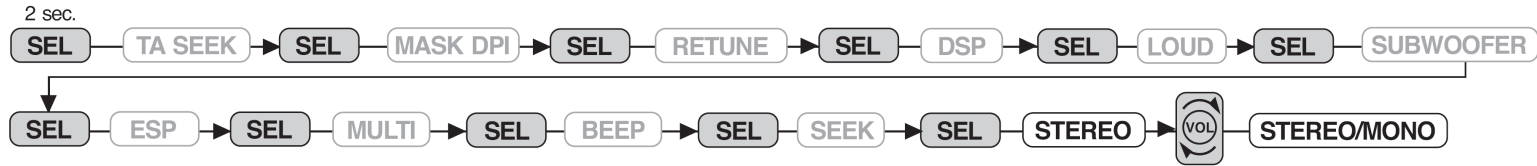
SEEK MODE



SEEK 1: When SEEK 1 mode is activated, AUTO SEEK SCAN is stopped when station is detected even user still push SEEK button.

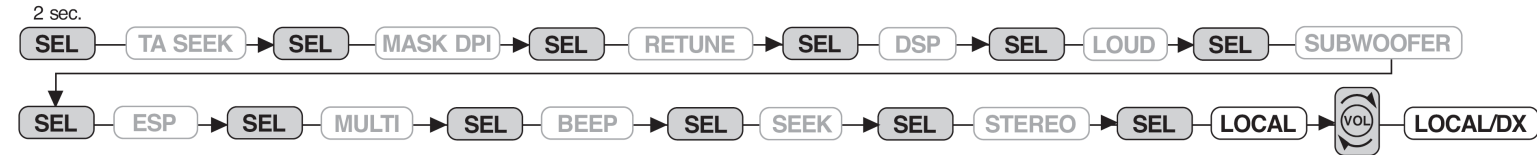
SEEK 2: Auto SEEK SCAN is not stopped even station is detected if user pushes SEEK button. When releases SEEK button, then stop when station is detected.

STEREO/MONO



When FM stations are weak and are disturbed, listening can be improved by selecting MONO.

LOCAL/DX



“Local” position in areas with strong signals to let radio stop at only strong stations during manual tuning (LOC appears). Select to Distant position in areas with weak signals to listen to all stations.

Digital tuner operations

Note: RDS (Radio Data System) service availability varies with areas. Please understand if RDS service is not available in your area, the following service is not available, either.

MODE

Press MODE button to turn on tuner mode.

BAND (BD)

Press BD button. Each band is toggled cyclically by pressing this key FM1--FM2--FM3--FM(OIRT)--MW1(AM1)--MW2(AM2).

AUTOMATIC OR MANUAL TUNING

(FREQ UP- NEXT button or FREQ DOWN - PREVIOUS button)

When pressed shortly, these buttons are operated as MANUAL tuning mode. When pressed longer than 1 sec., they are operated as SEEK tuning mode.

AUTO SEEK SEARCH TUNING (A/PS)

By pressing shortly, the radio searches for each preset station. By pressing longer than 1 sec, and then 6 strongest stations are preset to the corresponding preset number. When AS operation is finished, the radio executes the preset scan.

SCAN AUTOMATIC TUNING CONTROL (SCAN)

This button is operated as RADIO SCAN. The operation is similar as normal search but different thing is holding 5 seconds on every station detected in RADIO SCAN mode.

TA (TRAFFIC ALARM) FUNCTION

- Briefly press the TA button to turn on or turn off the TA function.
- When TA is enabled (on), the tuner starts searching the traffic announcement.

AF (ALTERNATIVE FREQUENCIES) FUNCTION

Briefly press the AF button to turn on or turn off the AF function.

The RDS program will be automatically searched and received. The unit will search another frequency with this RDS program.

PTY (PROGRAM TYPE) FUNCTION

When PTY is selected the radio starts to search corresponding PTY information and stops if the corresponding PTY information is detected. If corresponding PTY information is not found, normal radio reception is resumed.

When PTY mode is selected, the PTY switch is shared as follows: PTY music group — PTY speech group — OFF.

Press PTY button once to choose Music mode, then press number buttons to choose the needed program.

Press PTY button twice to choose Speech mode, then press number buttons to choose the needed program.

MUSIC

1. POPM, ROCK M
2. EASY M, LIGHT M
3. CLASSICS, OTHER M
4. JAZZ, COUNTRY
5. NATION M, OLDIES
6. FOLK M

SPEECH

- 1 NEWS, AFFAIRS, INFO
- 2 SPORT, EDUCATE, DRAMA
- 3 CULTURE, SCIENCE, VARIED
- 4 WEATHER, FINANCE, CHILDREN
- 5 SOCIAL, RELIGION, PHONE IN
- 6 TRAVEL, LEISURE, DOCUMENT

Note: When pressed shortly, number buttons select a preset station directly. When pressed longer than 1 sec., current station is stored in preset memory bank.

CD/SD/MMC operations

Discs for playback

This unit can play disc types: CD/CD-R/-RW.

Compatible with formats: CDDA/MP3/WMA.

Loading and ejecting a disc

1. Turn the power on.
2. Press the OPEN button on the panel.
3. Insert the disc with the printed side facing upward into the slot.
4. Press EJECT button on the inner side to eject the disc.

Multi-media card (MMC) / SD card slot

Support MP3/WMA ID3 format music only.

1. Press button and the front panel will open.
2. Detach the panel by pulling it towards you.
3. Carefully insert the SD/MMC card into the card slot, attach back the panel. Unit starts playback automatically.

SD/MMC notes:

1. SD/ MMC card support.
2. FAT 12/ FAT 16/ FAT 32 is possible
 - FAT 12/16 (dir: 200 support, file:500 support),
 - FAT 32 (dir: 200 support, file:500 support).
3. Filename: 32 byte/ Dir name: 32byte.
 - Tag (id3tag ver2.0)
4. Title/ Artist/ Album: 32 byte support.

5. Multi card reader not support.

Note:

SD cards brands: Cannon, Fuji film, Palm, Motorola, Microsoft, IBM, HP, Compaq, Sharp, Samsung, etc.

Capacity: up to 2 GB.

MMC cards brands: Ericsson, Nokia, Motorola, HP, Palm, Sanyo, Microsystems, etc.

Capacity: up to 2 GB.

Note: Because of the great variety of products with SD and MMC card slots and their sometimes quite manufacturer-specific functions the producer can neither guarantee that all devices will be recognized nor that all operating options that are possible in theory will actually work.

ID3 Tag information

This unit supports ID3 tag ver2.0. If an MP3/WMA file has ID3 Tag information, it will be displayed on the LCD. If there is no ID3 Tag information, nothing will be shown on LCD. The ID3 Tag information may include File, Folder, Music, Album or Artist data.

NEXT/PREVIOUS

Press NEXT/PREVIOUS buttons to choose next or previous track. Press longer than 1 sec., to choose forward playback or backward playback.

PLAY/PAUSE

Press PAUSE button to pause the playback, press one more time to resume the normal playback.

INTRO (Preview all Tracks)

When this button is pressed, “INT ON” indication is displayed and the first several seconds of each track of the disc is played. Press again to stop intro and listen to track.

REPEAT

When RPT button is pressed, “RPT ON” indication is displayed and playback of the selected track will be continually repeated until the track repeat mode is cancelled by pressing RPT button again.

RANDOM

When RDM button is pressed, “RDM ON” indication is displayed and each track of the disc is played in random instead of normal order. To cancel RANDOM mode, press RDM button again.

TRACK DOWN/UP SELECT (In case of MP3/WMA files)

5 button: 10 Track down

6 button: 10 Track up

Selection of MP3/WMA files

1. Searching Track:

- Press A/PS, then searching track is activated.
- Press SEL button, then the first digit is blinking.
- Turn VOL knob to right or left, select first digit you want.
- Press SEL button, then the first digit is fixed and second digit is blinking.
- Turn VOL knob to right or left, select 2’nd 3’rd respectively.
- Then automatically the song you selected will start.

2. Searching File Name:

- Press A/PS twice, then file search is activated.
- Press SEL button, then the first directory is displayed.
- Turn VOL knob to right or left, you can select the directory you want.
- Press SEL button again, then the directory is fixed and the first file name is displayed.

- Turn VOL knob to right or left, you can select the file you want.
- Press SEL button, then the song you selected will start.

3. Searching Character:

- Press A/PS 3 times, then character search mode is activated.
- Press SEL button, then “A” character is displayed.
- Turn VOL knob to right or left, you can select the letter you want.
- Press SEL button longer than 2 sec.
- The song which has same character you selected is displayed.
- Turn VOL knob to right or left, you can select the song you want.
- Press SEL button, then the song you selected will start.

MP3/WMA overview

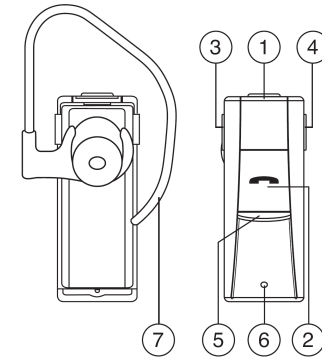
- MP3 is short for MPEG Audio Layer 3 and refers to an audio compression technology standard.
- This product allows playback of MP3 files on CD-ROM, CD-R or CD-RW discs.
- The unit can read MP3 files written in the format compliant with ISO 9660. However it does not support the MP3 data written by the method of packet write.
- The unit can not read an MP3 file that has a file extension other than “.mp3”.
- If you play a non- MP3 file that has the “.mp3” extension, you may hear some noise.
- In this manual, we refer to what are called “MP3 file” and “folder” in PC terminology as “track” and “album”, respectively.
- Maximum number of directory level is 8, including the root directory. Maximum number of files and folders per disc is 256.
- The unit may not play tracks in the order of Track numbers.
- The unit plays only the audio tracks if a disc contains both audio tracks and MP3 files.
- When playing a disc of 8 kbps or “VBR”, the elapsed playing time in the display window will not be correct and also the intro play may not function properly. “VBR”: Variable Bit Rate.
- The unit supports the playback of WMA files. The playback of ID3 tags for WMA format is not guaranteed, it depends on versions and availability of Cyrillic alphabet.
- WMA (Windows Media Audio) – music data compression format, created by Microsoft Corporation. This format uses coding algorithm for compression of initial audio-record, greatly decreasing the file size, but, saving the good sound quality even when the bit rate is low (for example, 64 Kbit/s).
- Remember that the unit may not play the tracks in order they are written on disc.

Notes on creating your own CD-R or CD-RW containing MP3 files:

- To enjoy high quality sound, we recommend converting to MP3 files with a sampling frequency of 44.1 kHz and a fixed bit rate of 128 kbps.
- DO NOT store more than 256 MP3 files per disc.
- For ISO 9660 - compliant format, the maximum allowable depth of nested folders is 8, including the root directory (folder).
- When CD-R disc is used, playback is possible only for discs, which have been finalized.
- Make sure that when MP3 CD-R or CD-RW is burned that it is formatted as a data disc and NOT as an audio disc.
- You should not write non-MP3 files or unneeded folders along with MP3 files on the disc otherwise it takes a long time until the unit starts to play MP3 files.
- With some CD-R or CD-RW media, data may not be properly written depending on its manufacturing quality. In this case, data may not be reproduced correctly. High quality CD-R or CD-RW disc is recommended.
- Up to 16 characters are displayed for the name of an Album or a Track. ID3TAG version 1.x is required.
- Note that the unit may not play Tracks in the order that you wrote them to the disc.

Bluetooth (hands-free) operations

1. Release bluetooth headset
2. ANSWER/MAKE A CALL button
3. VOLUME +
4. VOLUME-
5. Led light
6. Microphone
7. Ear clip



Before you can use the Bluetooth headset, you must first perform PAIRING. Pairing is a procedure used to connect 2 Bluetooth devices together.

Pairing and making call

1. Press and hold ANSWER/MAKE A CALL button until Red and Blue LED blinks alternately. This is a Pairing mode stage.
2. Turn on the Bluetooth connection of the mobile phone. Perform Add Bluetooth device. The mobile will search for any Bluetooth devices within the range. Select “BT” and enter Passkey: “0000” to connect to the car audio. (Please refer to the instruction manual of your mobile phone for Bluetooth Pairing. Your mobile phone should have Bluetooth function otherwise can not do the pairing).
3. After successful pairing, headset's Blue LED will blink once every 3 seconds. This unit is in active mode.
4. When there's incoming call, simply press ANSWER/MAKE A CALL button to receive call.
5. When talking, you can adjust headset's volume level by pressing VOLUME+/- button found at the upper left / right side of headset.
6. Press ANSWER/MAKE A CALL button once to end call.
7. To make calls, dial from your mobile phone. Sound automatically transfer to headset.

Note:

- To turn on headset, press and hold ANSWER/MAKE A CALL until Blue LED lights on. When no device connection was found, Blue LED will blink once every 10 seconds.
- To turn off headset, press and hold ANSWER/MAKE A CALL button until LED lights are off.
- Press ANSWER/MAKE A CALL button two times will dial the last number.
- “Last Number Redial” will store the last number dialed out from the mobile phone.

Charging the bluetooth headset

When Bluetooth headset battery state is low or out of power, attach it back to the front panel and head unit will charge it automatically. During charging, red LED lights on all the time. When fully charge, Red LED disappears.

Note: When charging, it is advisable to let it be fully charged before detaching it from front panel for use.

Listing of current Bluetooth Mobile phones:

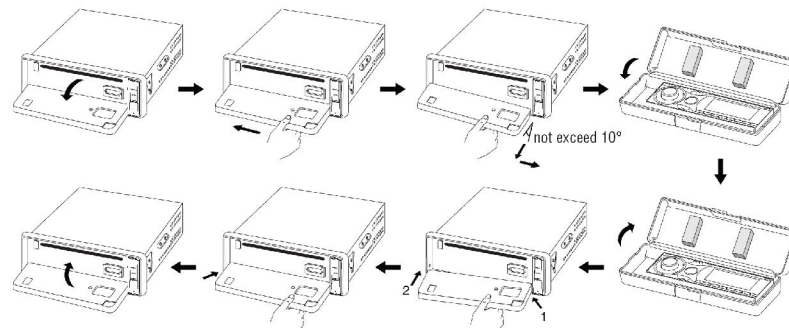
Nokia 3230	Nokia 6680	Samsung D508	Sony Ericsson 810C	Motorola E1
Nokia 3250	Nokia 7610	Samsung D608	Sony Ericsson K750i	Motorola E680
Nokia 5200	Nokia 8800	Samsung D800	Sony Ericsson K800i	Motorola L2
Nokia 5300	Nokia E50	Samsung D908	Sony Ericsson T610	Motorola L6
Nokia 6021	Nokia E60	Samsung E370	Sony Ericsson W810i	Motorola L7
Nokia 6103	Nokia E61	Samsung E648	Sony Ericsson Z550C	Motorola V3
Nokia 6230	Nokia E70	Samsung E870	Sony Ericsson Z710i	Motorola V3I
Nokia 6233	Nokia N70	Samsung E900		Motorola V360I
Nokia 6280	Nokia N71	Samsung P300		
Nokia 6311	Nokia N72	Samsung Z400		
Nokia 6600	Nokia N90	Samsung Z510		
Nokia 6670	Nokia N91			

This list is only updated to the time this list is being printed. This list gives an example of Bluetooth mobile phone available on the market, if your Bluetooth mobile phone is not on the list, please try it out in practice or try your phone at the local dealer or consult with the local dealer in case it is not mentioned in the list.

Anti-theft system

Remove the panel

1. Press POWER button to switch off the power of the unit.
2. Press OPEN button to flip down the panel.
3. Push the panel to the left and then pull it towards you.
4. Put it to the special box and take it with you.

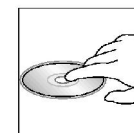
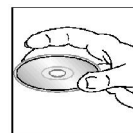


Remove the unit

1. Remove the panel and the trim plate.
2. Insert both T-Keys into hole on the front of the set until they lock.
3. Pull out the unit.

Handling discs

- Dirty, scratched or warped discs may cause skip ping or noise.
- Handle the disc only by the edges. To keep clean do not touch its surface.
- Discs should be stored in their cases after use to avoid scratches.
- Do not expose discs to direct sunlight, high humidity, high temperature or dust.
- Prolonged exposure to extreme temperature can warp the disc (such as leaving the discs in your car during summertime).
- Do not stick or write anything on either side of disc. Sharp writing instruments, or the inks used in some felt-tip pens, may damage its surface.
- DO NOT touch the unlabeled side. DO NOT attach any seal, label or data protection sheet to either side of a disc.



Cleaning

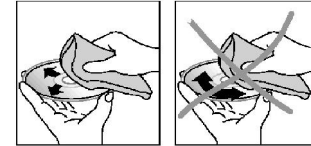
Cleaning the cabinet

Wipe with a soft cloth. If the cabinet is very dampen (not dropping wet) the cloth with a weak solution of soapy water, and then wipe clean.

Cleaning discs

Fingerprints should be carefully wiped from the surface of disc with a soft cloth. Unlike conventional records, compact discs have no grooves to collect dust and macroscopic dirt, so gently wiping them with a soft cloth should remove most panicles. Wipe in a straight motion from the center to the edge.

Never use thinner benzine, record cleaner or anti static spray on a compact disc. Such chemicals can damage its plastic surface.



Troubleshooting guide

Symptom	Cause	Solution
No power	The car ignition is not on. The fuse is blown.	If the power supply is properly connected to the car accessory switch the ignition key to "ACC". Replace the fuse.
Disc cannot be loaded.	Presence of disc inside the player.	Remove the disc in the player then put a new upward.
Disc cannot be read.	Inserting the disc in upside down. Compact disc is extremely dirty or defective. Temperature inside the car is too high.	Insert the compact disc with the label facing upward. Clean the disc or try to play a new one. Cool off until the ambient temperature returns to normal.
No sound	Volume is in minimum. Wiring is not properly connected.	Adjust volume to a desired level. Check wiring connection.
The buttons do not work.	The built-in microcomputer is not operating properly due to noise. Front panel is not properly fix into its place.	Press the RESET button. Reinstall the front panel.
Sound skips.	The installation angle is more than 30 degrees. The disc is extremely dirty or defective.	Adjust the installation angle to less than 30 degrees. Clean the compact disc/try to play a new one.
The radio does not work, the radio station automatic selection does not work.	The antenna cable is not connected the signals are too weak.	Insert the antenna cable firmly select a station manually.

Specification

General	
Power supply	12 V DC
Current consumption	max. 10A
Maximum power output	50 W x 4 channels
Dimensions (L x W x H)	178 x 165 x 50 mm
Working temperature range	-10°C - +60°C
ESP	40 sec. ESP for Audio-CD, 120 sec ESP for MP3, 300 sec ESP for WMA
FM Stereo Radio	
Frequency range	65 – 74 / 87.5 - 108.0 MHz
Usable sensitivity	2.8 μ V
Preset memory stations	24
MW and LW section	
Frequency range	522 kHz - 1620 kHz
Preset memory stations	12
Audio specification	
Maximum output	2 V _{rms} (+/- 3 dB)
Frequency response	20 Hz - 20 KHz
S/N ratio(A-vtd)	60 dB
DSP sound effect	Classic, Rock, Pop, Flat
Line out	
Output	CD max 2000 mV

Specifications are subject to change without notice. Mass and dimension are approximate.

Уважаемый покупатель!

Благодарим Вас за покупку нашего изделия. Для обеспечения безопасности рекомендуется тщательно изучить настоящее руководство перед подключением, эксплуатацией и/или регулировкой изделия, и сохраняйте руководство для использования в будущем.

Содержание

Содержание	31
Меры предосторожности	32
Комплект поставки	33
Установка/подключение.....	34
Органы управления.....	38
Основные операции	40
Цифровой тюнер	45
Воспроизведение файлов с CD/SD/MMC	47
Обзор MP3 и WMA	51
Работа с Bluetooth (hands-free)	53
Система против кражи.....	56
Обращение с дисками	56
Чистка и уход	57
Руководство по устранению неисправностей.....	58
Технические характеристики	59

Меры предосторожности

- Тщательно изучите настоящую инструкцию, чтобы ознакомиться с высококачественной аудиосистемой.
- При установке и подключении изделия отключите отрицательную клемму аккумулятора автомобиля.
- При замене предохранителя, убедитесь, что вы устанавливаете предохранитель с тем же номиналом. Используя предохранитель с повышенным значением тока, можно причинить значительные повреждения изделию.
- Не пытайтесь разбирать изделие. Лазерные лучи, исходящие из блока оптической головки считывания информации с компакт-диска, опасны для глаз.
- Убедитесь, что шпильки или другие посторонние предметы не попали внутрь изделия. Они могут вызвать сбой в работе или стать причиной опасности, такой как поражение электрическим током или лазерным лучом.
- Если вы ставите автомобиль на стоянку на длительное время в жаркое или холодное время года, подождите пока температура в автомобиле не станет нормальной, перед тем как включать изделие.
- Не открывайте крышки и не проводите ремонт самостоятельно. Обратитесь к дилеру или квалифицированному персоналу
- Убедитесь, вы отключаете источник питания и антенну, если вы не будете пользоваться системой в течение длительного времени или во время грозы.
- Убедитесь, что вы отключаете источник питания, если обнаружена неправильная работа системы, система издает необычные звуки, запах, выделяет дым или внутрь ее попала жидкость. Проведите квалифицированный технический осмотр системы.
- Прибор разработан так, чтобы отрицательный вывод аккумулятора был подключен к корпусу транспортного средства. Пожалуйста, убедитесь в этом перед установкой.
- Не позволяйте проводам динамиков касаться друг друга при включении прибора. В противном случае, может быть перегружен или выйти из строя усилитель питания.
- Не устанавливайте съемную панель перед подключением кабеля.
- Не используйте устройство в местах, где оно может подвергнуться воздействию воды, влаги и пыли.

Комплект поставки

Детали для установки

Ресивер	1 шт
Беспроводное устройство Bluetooth	1 шт
Мягкий футляр для беспроводного устройства	1 шт
Крепление беспроводного устройства	1 шт
Передняя панель	1 шт
Футляр для передней панели	1 шт
Информация для потребителя	1 шт
Гарантийный талон	1 шт
Инструкция по эксплуатации	1 шт

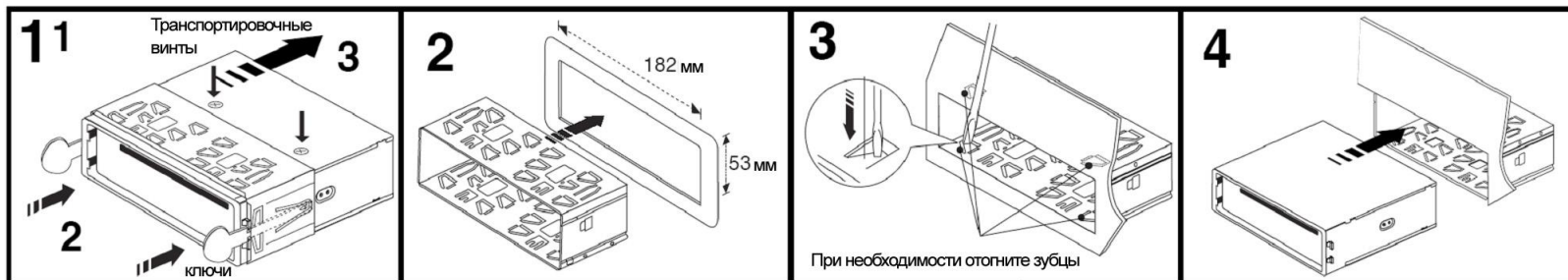
Установка/подключение

Используйте только крепежные детали, входящие в комплект поставки. Перед установкой ресивера, снимите переднюю панель.

Угол установки

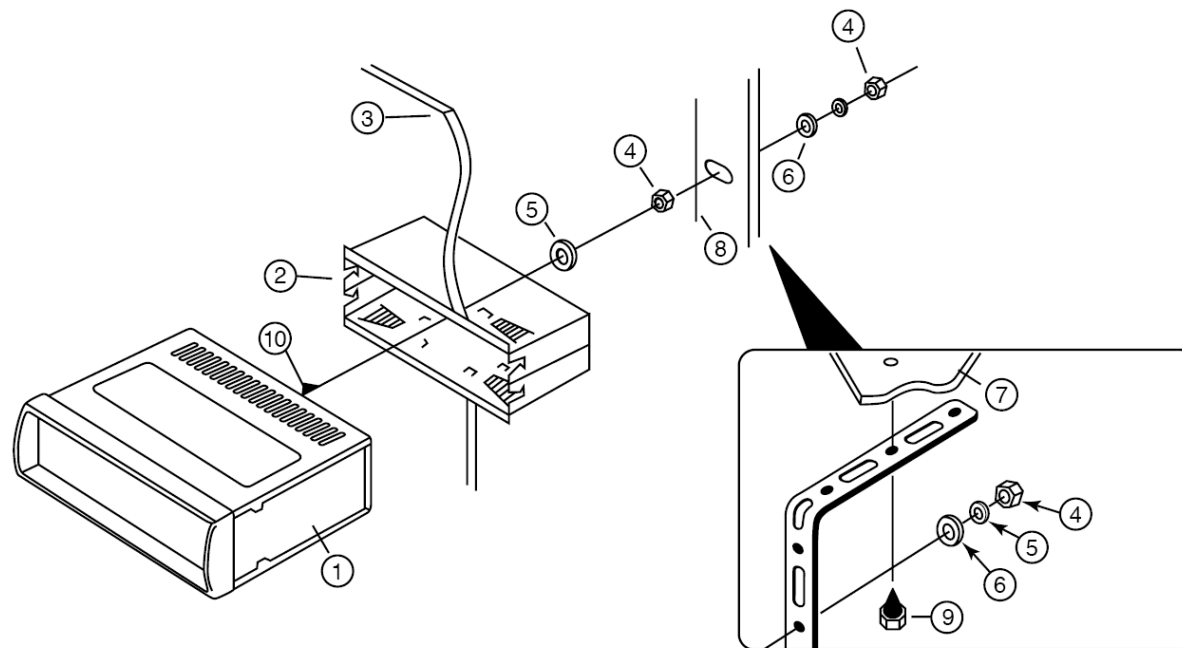
Угол установки должен быть менее 20°.

Установка



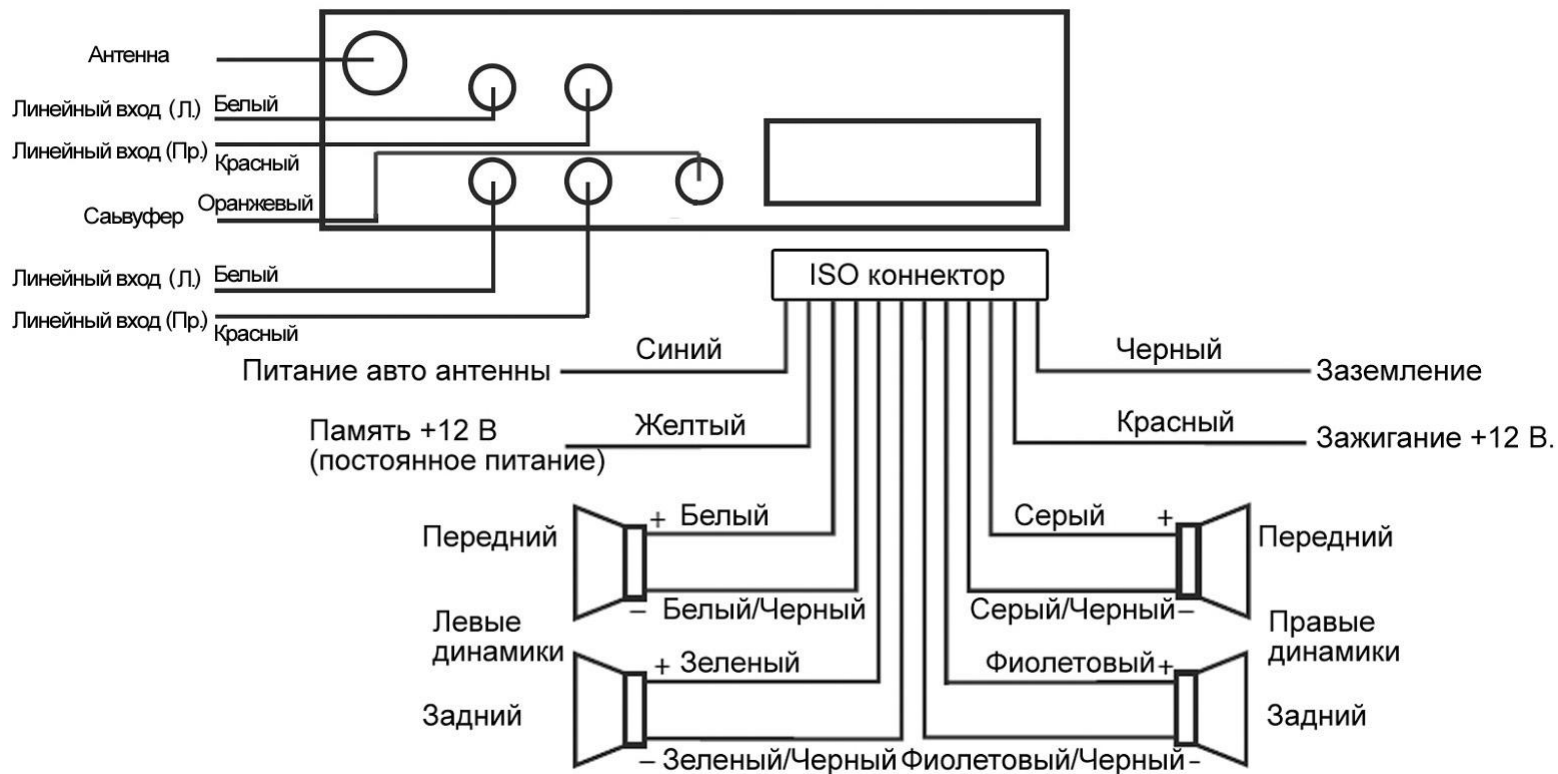
Примечание: Сохраните съемные ключи, они могут понадобиться, для того чтобы извлечь ресивер из приборной панели.

Закрепление устройства



1. Ресивер
2. Подвижной
металлический корпус
3. Приборная доска
4. Шестигранная гайка
5. Контршайба
6. Шайба
7. Кузов автомобиля
8. Металлическая
полоска
9. Шуруп
10. Болт с шестигранной
головкой

Схема электрических соединений



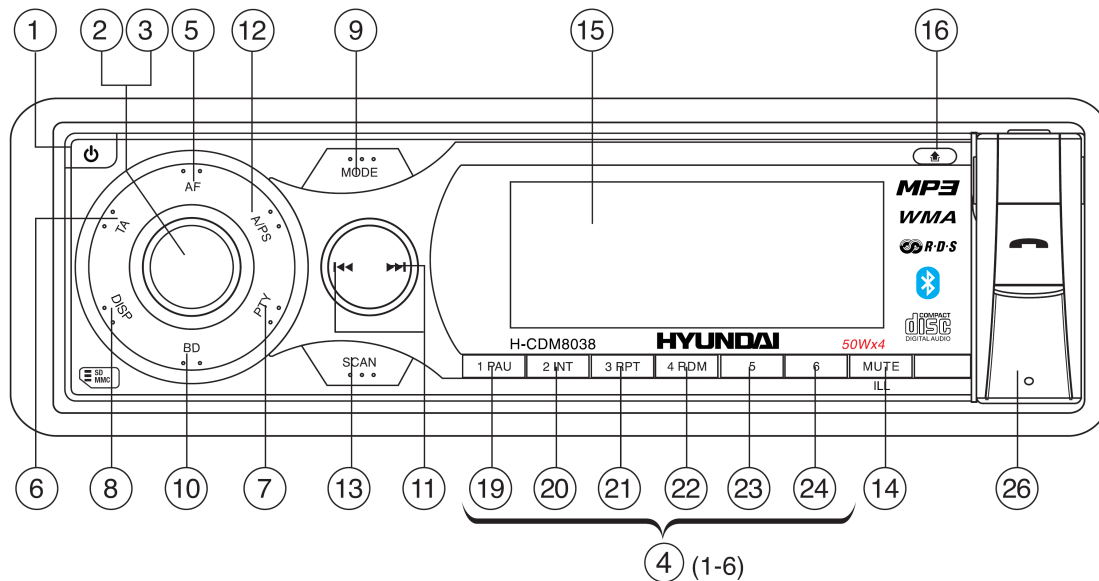
ISO коннектор

Номер	Функция	
	Разъем А	Разъем В
1		Задний правый(+)--Фиолетовый
2		Задний правый(--Фиолетовый/Черный
3		Передний правый(+)--Серый
4	Питание 12В (+)/желтый	Передний правый(--Серый/Черный
5	Авто антенна /синий	Передний левый(+)--Белый
6		Передний левый(--Белый/Черный
7	Зажигание (+12В)/красный	Задний левый(+)--Зеленый
8	Земля/черный	Задний левый(--Зеленый/Черный

Органы управления

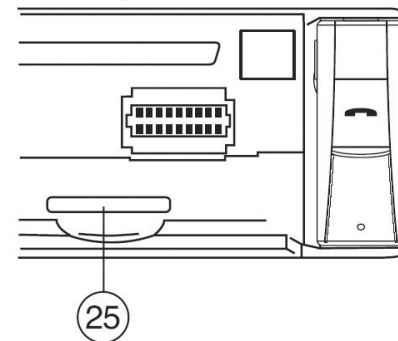
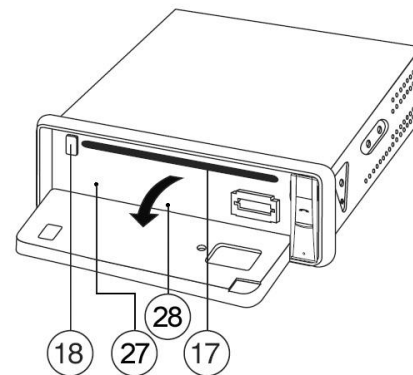
Передняя панель

1. Кнопка POWER
2. Кнопка SEL
3. Регулятор VOL
4. Программируемые кнопки станций (1,2,3,4,5,6)
5. Кнопка AF
6. Кнопка TA
7. КнопкаPTY
8. Кнопка DISP
9. Кнопка MODE
10. Кнопка BD
11. Кнопка PREVIOUS/NEXT
12. Кнопка A/PS
13. Кнопка SCAN
14. Кнопка MUTE/DUAL ILLUMINATION
15. LCD дисплей
16. Кнопка OPEN
17. Слот для дисков
18. Кнопка EJECT
19. Кнопка PAUSE
20. Кнопка INT
21. Кнопка RPT



- 22. Кнопка RDM
- 23. 24. Кнопки + 10/ -10 TRACK SEARCH DOWN/UP
- 25. Слот для карт MMC/SD
- 26. Беспроводная Bluetooth гарнитура
- 27. Кнопка RESET
- 28. Индикатор

Внимание: При нажатии на кнопку RESET все настройки и станции будут удалены из памяти устройства. Когда Вы опускаете панель, индикатор статуса панели засветится, при удалении панели индикатор начнет мигать.



Основные операции

Кнопка RESET (сброс)

Нажмите на панели кнопку OPEN. Панель откроется. Нажмите острым предметом кнопку RESET. Эта мера необходима в следующих ситуациях: исходная установка устройства после подключения, никакие кнопки не действуют, символы ошибок появляются на дисплее.

Включение/выключение питания

Нажмите любую кнопку, чтобы включить устройство. Нажмите и удерживайте кнопку POWER, чтобы выключить питание.

Примечание: Когда Вы выключаете систему или зажигание автомобиля, громкость звука и радио настройки будут сохранены в памяти устройства, и при включении установки вернуться к сохраненным значениям.

Отображение информации на экране

Нажимайте кнопку DISP для последовательного отображения различной информации на дисплее, такой как радио частота, часы, текущий трек и пр. в зависимости от режима работы устройства.

Настройка времени

- Нажимайте кнопку DISP до отображения на дисплее часов, затем нажмите кнопку DISP и удерживайте 2 секунды. Часы начнут мигать.
- Вращайте регулятор VOL по часовой стрелке, чтобы установить минуты.
- Вращайте регулятор VOL против часовой стрелки, чтобы установить часы.
- Нажмите кнопку DISP для подтверждения настройки.

Выбор режима работы

Нажмите кнопку MODE для выбора режима работы устройства: AUX/TUNER/S-CDP(CD/MP3)/MMC/SD(карта памяти).

Включение/Выключение звука

Нажмите кнопку MUTE, чтобы выключить звук. Нажмите кнопку повторно, чтобы включить звук.

Переключение подсветки

Нажмите и удерживайте более 2 секунд кнопку MUTE для переключения между синей и красной подсветкой кнопок.

Регулировка громкости

Вращайте регулятор VOL, чтобы отрегулировать один из следующих параметров: VOL (громкость)/BASS (низкие частоты)/TREB (высокие частоты)/BAL (баланс между правым и левым каналами)/FAD (баланс между задним и передним каналами). Для выбора нужного параметра нажимайте кнопку SEL, название параметра будет отображаться на дисплее.

Вращайте регулятор влево или вправо, чтобы уменьшить или увеличить уровень громкости звука соответственно.

Другие функции

Для выбора нужной функции нажмите и удерживайте кнопку SEL 2 секунды, после чего нажимайте ее до отображения на дисплее нужной функции. Вращайте регулятор, чтобы выбрать нужную опцию. После осуществления выбора несколько секунд не нажимайте никаких кнопок, чтобы активировать изменения.

Функция TA SEEK/TA ALARM



В режиме TA SEEK устройство выполнит поиск программ о дорожном движении при нажатии кнопки TA; режим TA ALARM предназначен для передачи экстренных сообщений. При этом информация о дорожном движении будет игнорироваться.

Функция MASK DPI/MASK ALL



В режиме MASK DPI, устройство маскирует только альтернативные частоты с разными информационными программами. В режиме MASK ALL устройство маскирует и информационные программы, и станции, не поддерживающие RDS.

Функция RETUNE S/L - SHORT/LONG



«RETUNE» означает временной интервал прерывания радио сигнала для сканирования. «S» означает интервал в 30 секунд, «L» означает интервал в 90 секунд.

Функция AUDIO DSP (эквалайзер)



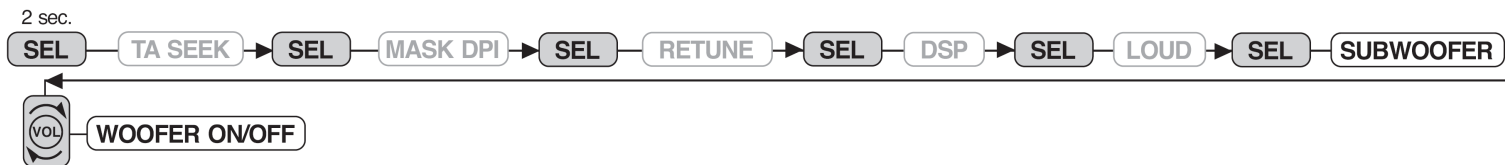
Выберите режим эквалайзера: POP M => ROCK M => CLASS M=> FLAT M =>DSP OFF.

Функция LOUDNESS (усиление низких частот)



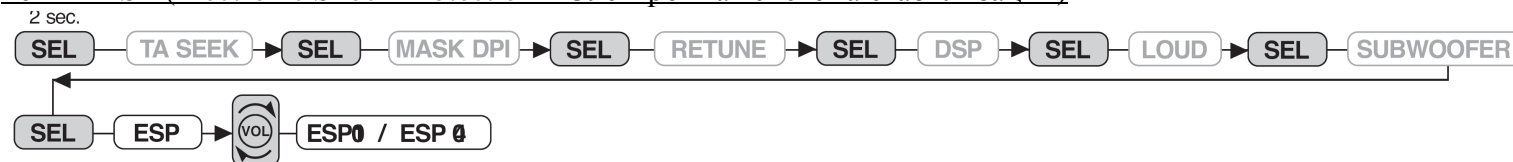
Выберите режим LOUD ON (вкл) или OFF (выкл). При включенном режиме низкие частоты усиливаются.

SUBWOOFER (Режим сабвуфера)



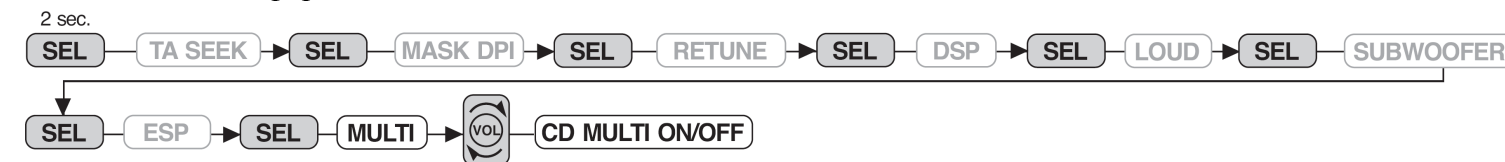
Включите (ON) или отключите (OFF) режим сабвуфера.

Режим ESP (Electronic Shock Protection – Электронная система стабилизации)



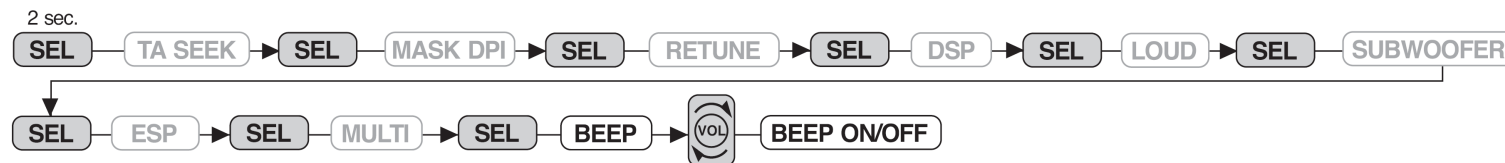
Примечание: 10 с./40 с. для CD, 120 с. для MP3.

MULTI CD (Многоформатные диски)



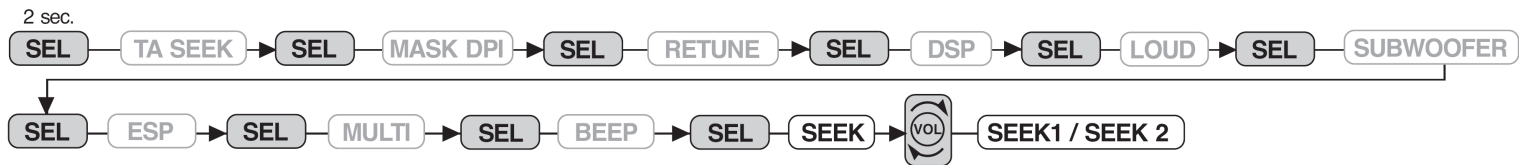
Вы можете включить (ON) или отключить (OFF) функцию чтения файлов всех поддерживаемых форматов на диске.

Режим BEEP (звуковой сигнал)



BEEP ON (вкл): при каждом нажатии кнопок устройство будет подавать звуковой сигнал.

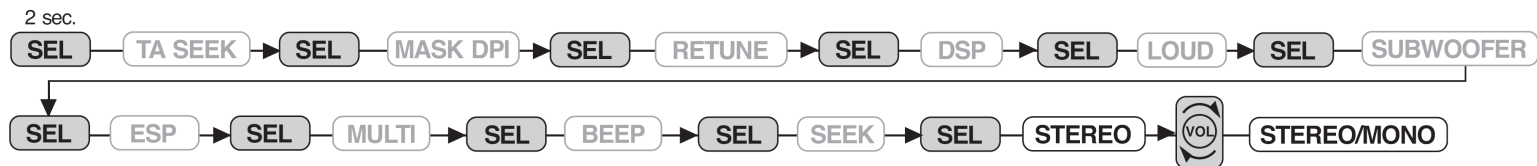
Режим SEEK (поиск)



SEEK 1: В данном режиме при обнаружении станции автопоиск будет остановлен даже в случае последующего нажатия кнопки SEEK.

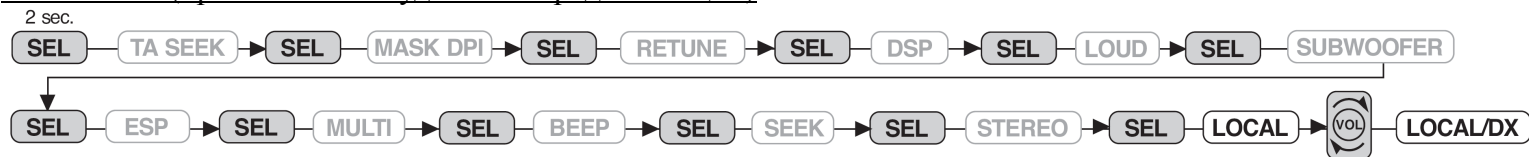
SEEK 2: При нажатии и удерживании кнопки SEEK автопоиск будет продолжен даже при обнаружении станции. Если Вы отпустите кнопку SEEK, поиск будет остановлен после обнаружения станции.

STEREO/MONO (стерео/моно режим)



При плохом качестве приема FM сигнала выберите режим моно, это может повысить качество приема сигнала.

LOCAL/DX (прием местных/удаленных радиостанций)



Эта функция позволяет выбирать режимы LOCAL и DISTANT (DX) (режим приема местных или удаленных радиостанций; это влияет на чувствительность тюнера и на качество принимаемого радио сигнала).

Цифровой тюнер

Внимание: Сервис RDS (Система радио данных) доступен не во всех регионах. Имейте ввиду, что если услуга RDS не доступна в Вашем регионе, то данная функция не будет работать.

Выбор диапазона

Нажмите на кнопку MODE, чтобы выбрать режим радио - TUNER.

Нажимайте на кнопку BD, чтобы выбрать диапазон: FM1--FM2--FM3--FM(OIRT)--MW1(AM1)--MW2(AM2).

Автоматическая и ручная настройка

Нажмите кнопку NEXT, чтобы начать поиск вверх по диапазону или кнопку PREVIOUS, чтобы начать поиск вниз по диапазону.

Нажимайте эти кнопки, активировать ручной поиск. Нажмите и удерживайте в течение 1 секунды, активизируется автоматический поиск.

Примечание: Функция сканирование с остановкой на каждой станции в течение 5 секунд включается кнопкой SCAN.

Автоматический поиск и сканирование (A/PS)

Нажмите кнопку A/PS, ресивер произведет поиск всех предустановленных станций. Нажмите и удерживайте эту кнопку в течение секунды, 6 станций с сильным сигналом сохранятся под соответствующими цифрами. После этого ресивер произведет сканирование сохраненных станций.

Функция TA (программы о дорожном движении)

Нажмите кнопку TA, чтобы включить/выключить режим TA. Оповещения о ситуации на дороге прерывают воспроизведение диска и вещание радиостанций. Чтобы прервать эти оповещения нажмите кнопку TA один раз, сразу восстановится режим воспроизведения, это не повлечет за собой отключения функции вообще.

Функция AF (альтернативные частоты)

При слабом сигнале функция Альтернативных частот позволяет приемнику настраиваться на другие станции с тем же идентификационным кодом, что и текущая станция, но с более сильным сигналом. При этом вместо частоты на дисплее появится название станции.

Нажмите кнопку AF, чтобы включить или выключить функцию AF. При включенном режиме AF радио постоянно проверяет силу сигнала альтернативных частот, на которых может транслироваться RDS программа. Если сигнал слабый или исчезает, тюнер будет автоматически искать другую частоту с этой программой.

Функция выбора передаваемого типа программыPTY

При активации функции PTY, ресивер начинает поиск станции с соответствующей направленностью. Если соответствующая станция не найдена, ресивер возвращается в режим нормального воспроизведения.

Доступны такие режимы: PTY музыка — PTY информация — Выкл.

Нажмите кнопку PTY один раз, чтобы выбрать режим поиска музыкальных станций, затем нажимайте кнопки с цифрами, чтобы выбрать канал.

Нажмите кнопку PTY два раза, чтобы выбрать режим поиска информационных станций, затем нажимайте кнопки с цифрами, чтобы выбрать канал.

Музыкальные каналы

1. POPM, ROCK M
2. EASY M, LIGHT M
3. CLASSICS, OTHER M
4. JAZZ, COUNTRY
5. NATION M, OLDIES
6. FOLK M

Информационные каналы

- 1 NEWS, AFFAIRS, INFO
- 2 SPORT, EDUCATE, DRAMA
- 3 CULTURE, SCIENCE, VARIED
- 4 WEATHER, FINANCE, CHILDREN
- 5 SOCIAL, RELIGION, PHONE IN
- 6 TRAVEL, LEISURE, DOCUMENT

Примечание: Цифровыми кнопками можно выбирать станции для прослушивания. Долгое нажатие одной из них сохраняет найденную станцию под этой цифрой.

Воспроизведение файлов с CD/SD/MMC

Диски для воспроизведения

Это устройство может воспроизводить разновидности дисков: CD/CD-R/-RW.

Совместимо с форматами: CDDA/MP3/WMA.

Загрузка и извлечение диска

1. Включите питание устройства.
2. Нажмите кнопку OPEN на панели, чтобы открыть ее.
3. Установите диск в слот маркированной стороной вверх.
4. Нажмите кнопку EJECT, чтобы извлечь диск.

Загрузка SD/MMC

Снимите переднюю панель. Вставьте SD/MMC карту в соответствующий слот. Прикрепите панель. Ресивер автоматически перейдет в режим SD/MMC. Начнется воспроизведение первого трека.

Примечания по SD/MMC разъемам:

Воспроизведение MP3/WMA ID3 файлов.

1. Поддержка карт памяти SD/ MMC..
2. Поддержка FAT 12/ FAT 16/ FAT 32
 - FAT 12/ 16 (поддержка 200 папок, 500 файлов),
 - FAT 32 (поддержка 200 папок, 500 файлов).
3. Имя файла: 32 байта/ имя папки: 32 байта.
 - Тэг (id3tag ver 2.0)
4. Имя/ Исполнитель/ Альбом: поддержка 32 байтов.
5. Многофункциональный карт-ридер не поддерживается.

Примечание:

SD: Поддержка брендов SD карт памяти: Cannon, Fuji film, Palm, Motorola, Microsoft, IBM, HP, Compaq, Sharp, Samsung, и т. д. Емкость: до 2 Гб.

MMC: Поддержка брендов MMC карт памяти: Ericsson, Nokia, Motorola, HP, Palm, Sanyo, Microsystems, и т.д. Емкость: 16 Мб ~ до 2 Гб.

Информация об ID3 тэгах

Данное устройство поддерживает версии ID3 тэгов 2.0. Если MP3/WMA файл содержит информацию ID3, такая информация будет отображаться на дисплее при воспроизведении трека. При отсутствии ID3 информации на дисплее ничего отображаться не будет. ID3 информация может включать в себя данные о файле, папке, музыке, альбоме и исполнителе.

Выбор трека

Нажмите кнопку NEXT/PREVIOUS, чтобы выбрать следующий или предыдущий трек. Нажмите и удерживайте в течение одной секунды, чтобы начать ускоренное воспроизведение вперед или назад.

Примечание: во время воспроизведения MP3/WMA файлов нажимайте кнопки 5 или 6, чтобы перейти на 10 треков вниз или вверх.

Пауза

Нажмите кнопку PAUSE, чтобы поставить воспроизведение на паузу, нажмите ее еще раз, чтобы возобновить воспроизведение.

Предпрослушивание

Во время воспроизведения, нажмите кнопку INTRO, чтобы началось проигрывание первых 10 секунд каждого трека (на экране появится надпись "INT ON"). Нажмите эту кнопку еще раз, чтобы вернуться в нормальный режим воспроизведения.

Повтор

Нажмите кнопку RPT, на дисплее появится надпись “RPT ON” и активируется режим повтора воспроизведения текущего трека. Нажмите кнопку еще раз, чтобы вернуться в режим нормального воспроизведения.

Воспроизведение в произвольном порядке

Нажмите кнопку RDM, на дисплее появится надпись “RDM ON” и активируется режим воспроизведения в произвольном порядке. Нажмите кнопку еще раз, чтобы вернуться в режим нормального воспроизведения.

Поиск MP3/WMA файлов

1. Поиск трека:

- Нажмите кнопку A/PS, активизируется режим поиска.
- Нажмите кнопку SEL, начнет мигать первая цифра.
- Вращайте регулятор VOL, чтобы выбрать нужную цифру.
- Нажмите кнопку SEL, начнет мигать вторая цифра.
- Вращайте регулятор VOL, чтобы выбрать нужную цифру, и т.д.
- Нажмите кнопку SEL, начнется воспроизведение выбранного трека.

2. Поиск по имени файла:

- Нажмите кнопку A/PS дважды, активизируется режим поиска.
- Нажмите кнопку SEL, отобразится название первой папки.
- Вращайте регулятор VOL, чтобы выбрать нужную папку.
- Нажмите кнопку SEL еще раз, папка выбрана, отобразится название первой песни в папке.
- Вращайте регулятор VOL, чтобы выбрать нужный файл.
- Нажмите кнопку SEL, чтобы начать воспроизведение выбранного трека.

3. Поиск по буквам:

- Нажмите кнопку A/PS 3 раза, активизируется режим поиска.
- Нажмите кнопку SEL, отобразится буква “А”.
- Вращайте регулятор VOL, чтобы выбрать нужную букву.
- Нажмите и удерживайте кнопку SEL в течение 2 секунд.
- Песня, название которой совпадает с критериями вашего поиска отобразится на дисплее.
- Вращайте регулятор VOL, чтобы выбрать нужную песню.
- Нажмите кнопку SEL, чтобы начать воспроизведение выбранной песни.

Обзор MP3 и WMA

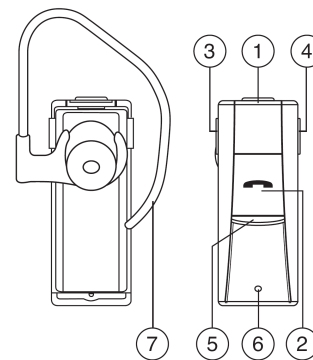
- MP3 это краткое обозначение аудио слоя MPEG 3 и относится к стандарту технологии сжатия звука.
- Данное изделие позволяет воспроизводить файлы MP3 на дисках CD-ROM, CD-R или CD-RW.
- Изделие может считывать файлы MP3, записанные в формате, соответствующем ISO 9660. Однако оно не поддерживает данные MP3, записанные методом пакетной записи.
- Изделие не может считывать файлы MP3, которые имеют расширение файла, отличающееся от “.mp3”.
- Если вы воспроизводите не MP3 файл, который имеет расширение “.mp3”, вы можете слышать некоторые шумы.
- В данном руководстве мы рассматриваем файлы, называемые “файлами MP3” и “папкой”, а в технологии PC “дорожкой” и “альбомом” соответственно.
- Максимальное количество уровней директории равно 8, включая корневую директорию. Максимальное количество файлов и папок на диске 256.
- Изделие может не воспроизводить дорожки в последовательном порядке.
- Изделие воспроизводит только аудио треки, если диск содержит как аудио треки, так и файлы MP3.
- При воспроизведении диска 8 килобит или VBR, истекшее время воспроизведения в окне дисплея будет неправильным, а также ознакомительное воспроизведение может не действовать надлежащим образом. VBR: Переменная скорость передачи битов.
- Устройство поддерживает воспроизведение WMA файлов. Воспроизведение ID3 тегов для формата WMA не является гарантированным, так как это зависит от версий и наличия кириллицы.
- WMA (Windows Media Audio) – формат сжатия музыкальных данных, созданный Microsoft Corporation. Формат использует алгоритмы кодирования для сжатия исходной аудиозаписи, значительно уменьшая размеры файла, но, сохраняя хорошее качество звука даже при низких (например, 64 Кбит/сек) скоростях передачи данных (битрейтах).
- Помните, что изделие может не воспроизводить треки в том порядке, в котором они записаны на диске.

Замечание по созданию собственных CD-R или CD-RW, содержащих файлы MP3:

- Для получения высокого качества звука мы рекомендуем преобразовывать файлы MP3 с эталонной частотой 44,1 кГц и фиксированным битрейтом 128 Кбит/сек.
- НЕ сохраняйте более 256 файлов MP3 на диске.
- Для формата, совместимого с ISO 9660, максимально допустимая глубина вложенных папок равняется 8, включая корневую директорию (папку).
- При использовании диска CD-R воспроизведение возможно только для дисков, которые были закончены.
- Убедитесь, что при записи MP3 CD-R или CD-RW были отформатированы как диски данных, а НЕ как аудио диски.
- Вы не должны записывать не-MP3 файлы или ненужные папки вместе с файлами MP3 на диск, в противном случае потребуется много времени, пока изделие начнет воспроизводить файлы MP3.
- На некоторых CD-R или CD-RW данные могут не быть записаны надлежащим образом в зависимости от качества их производства. В этом случае данные могут быть воспроизведены не надлежащим образом. Рекомендуются диски CD-R или CD-RW высокого качества.
- Имя альбома или композиции может содержать до 16 символов. Необходима версия 1.x ID3TAG.
- Помните, что изделие может не воспроизводить треки в том порядке, в котором они записаны на диске.

Работа с Bluetooth (hands-free)

1. Съемное беспроводное устройство bluetooth
2. Кнопка ANSWER/MAKE A CALL
3. Кнопка VOLUME +
4. Кнопка VOLUME-
5. Индикатор
6. Микрофон
7. Крепление



Перед тем, как использовать беспроводное устройство Bluetooth, требуется осуществить соединение этого устройства с другим устройством Bluetooth.

Соединение и выполнение вызова

1. Нажмите и удерживайте кнопку ANSWER/MAKE A CALL до тех пор, пока красный и синий индикаторы не будут поочередно мигать.
2. Включите функцию Bluetooth на мобильном телефоне. Выполните добавление нового устройства. Телефон выполнит поиск всех устройств Bluetooth в радиусе действия. Выберите “BT” и введите пароль «0000» для подключения к вашему устройству. (Более подробную информацию об операции подключения смотрите в руководстве пользователя к вашему мобильному телефону).
3. После выполнения подключения индикатор на беспроводном устройстве будет мигать каждые 3 секунды. Это означает, что устройство находится в активном режиме.
4. При наличии входящего звонка нажмите кнопку ANSWER/MAKE A CALL, чтобы принять звонок.
5. Во время разговора Вы можете регулировать громкость с помощью кнопок VOLUME+/-, расположенных на верхней панели беспроводного устройства.
6. Для завершения разговора нажмите кнопку ANSWER/MAKE A CALL.

7. Для выполнения исходящих звонков набирайте номер на мобильном телефоне; разговор автоматически будет переведен на головное устройство.

Примечания:

- Чтобы включить беспроводное устройство, нажмите и удерживайте кнопку ANSWER/MAKE A CALL, пока не загорится индикатор. Если второго устройства не обнаружено, индикатор будет мигать каждые 10 секунд.
- Чтобы выключить беспроводное устройство, нажмите кнопку ANSWER/MAKE A CALL; индикатор погаснет.
- Нажмите кнопку ANSWER/MAKE A CALL дважды, чтобы выполнить набор последнего набранного номера.

Зарядка беспроводного устройства

При частичной или полной разрядке батарейки беспроводного устройства Bluetooth, подсоедините его к соответствующему разъему на передней панели, зарядка произойдет автоматически. В процессе зарядки индикатор беспроводного устройства будет гореть. При полной зарядке индикатор погаснет.

Примечание: Перед отсоединением беспроводного устройства от передней панели рекомендуется дождаться его полной зарядки.

Перечень мобильных телефонов, совместимых с данным беспроводным устройством Bluetooth:

Nokia 3230	Nokia 6680	Samsung D508	Sony Ericsson 810C	Motorola E1
Nokia 3250	Nokia 7610	Samsung D608	Sony Ericsson K750i	Motorola E680
Nokia 5200	Nokia 8800	Samsung D800	Sony Ericsson K800i	Motorola L2
Nokia 5300	Nokia E50	Samsung D908	Sony Ericsson T610	Motorola L6
Nokia 6021	Nokia E60	Samsung E370	Sony Ericsson W810i	Motorola L7
Nokia 6103	Nokia E61	Samsung E648	Sony Ericsson Z550C	Motorola V3
Nokia 6230	Nokia E70	Samsung E870	Sony Ericsson Z710i	Motorola V3I
Nokia 6233	Nokia N70	Samsung E900		Motorola V360I
Nokia 6280	Nokia N71	Samsung P300		

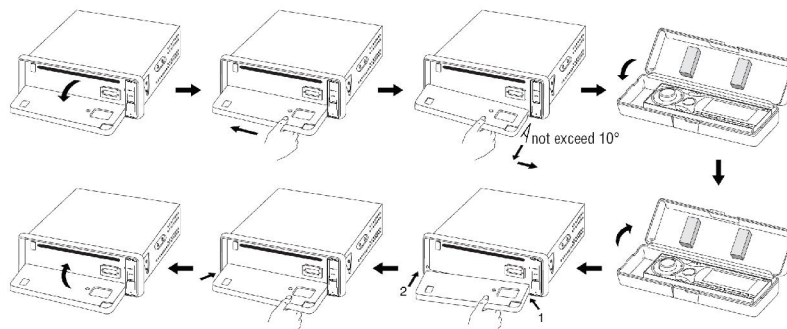
Nokia 6311	Nokia N72	Samsung Z400		
Nokia 6600	Nokia N90	Samsung Z510		
Nokia 6670	Nokia N91			

Нижеприведенный список моделей актуален на день распечатки инструкции. Этот список примерный, он включает в себя некоторые модели находящиеся на рынке; если вы не нашли ваш телефон в этом списке, проконсультируйтесь с дилером.

Система против кражи

Снятие панели

1. Нажмите кнопку POWER, чтобы выключить питание устройства.
2. Нажмите кнопку OPEN, чтобы снять панель.
3. Нажмите на панель в левую сторону и вытяните ее правую сторону на себя.
4. Положите панель в специальный футляр и возьмите его с собой, когда будете покидать машину.

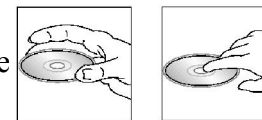


Съем изделия

1. Снимите панель.
2. Вставьте два T-образных ключа в отверстие лицевой стороны, пока не услышите щелчок.
3. Выньте изделие.

Обращение с дисками

- Грязные, поцарапанные или погнутые диски могут вызвать искажение звука или шумы
- Держите диск только за края (как показано на рисунке). Чтобы обеспечить чистоту, не прикасайтесь к его поверхности.
- Диски должны храниться в их чехлах после использования, чтобы не поцарапать их поверхность.
- Не подвергайте диски действию прямого солнечного света, повышенной влажности, повышенным температурам или действию пыли.
- Продолжительное влияние предельных температур может изогнуть диск (например, пребывание дисков в автомобиле в летнее время).



- Не царапайте и не пишите что-либо на любой стороне диска. Острые пишущие инструменты или чернила, используемые в них, могут повредить поверхность диска.
- Не прикасайтесь к стороне, не имеющей маркировки.
- Не прикрепляйте какую-либо печать, этикетку или лист предохранения данных к любой стороне диска.

Чистка и уход

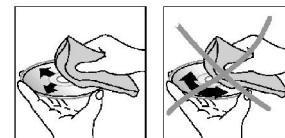
Чистка корпуса

Протирайте мягкой тканью. Если корпус очень загрязнен (не мочите его), используйте ткань, слегка смоченную мыльным раствором, и затем вытрите его сухой тканью.

Чистка дисков

Отпечатки пальцев должны быть тщательно стерты с поверхности диска мягкой тканью. В отличие от обычных пластинок, компакт-диски не имеют канавок для сбора пыли и микроскопических частиц грязи, поэтому осторожно вытирайте их мягкой тканью, чтобы убрать частицы грязи. Вытирайте прямолинейным движением от центра к краю.

Никогда не используйте растворитель, бензин, очиститель пластинок или антистатический аэрозоль для чистки дисков. Такие химические вещества могут повредить его пластиковые поверхности.



Руководство по устранению неисправностей

Неисправность	Причина	Решение
Нет питания	Зажигание машины не включено. Сгорел предохранитель.	Если источник питания подключен надлежащим образом к выключателю машины, установите ключ зажигания в положение “АСС”. Замените предохранитель.
Невозможно загрузить диск	В плеер установлен диск.	Удалите диск из плеера, затем установите новый.
Невозможно считать диск	Диск установлен верхней стороной вниз. Диск загрязнен или имеет дефект. Температура внутри машины очень высокая.	Установите компакт диск стороной с этикеткой вверх. Очистите диск или установите новый. Подождите, пока температура не станет нормальной.
Нет звука	Звук установлен на минимум. Кабель не подключен надлежащим образом.	Отрегулируйте звук до необходимого уровня. Проверьте подключение кабеля.
Не действуют функциональные ключи	Встроенный микрокомпьютер не работает надлежащим образом из-за шумов. Передняя панель не установлена на свое место.	Нажмите кнопку RESET. Повторно установите переднюю панель.
Звук пропадает	Угол установки более 30 градусов. Диск загрязнен или имеет дефект.	Отрегулируйте угол установки, установив его менее 30 градусов. Очистите диск или установите новый.
Радио не работает. Не работает автоматический выбор радиостанции	Антенный кабель не подключен. Сигналы слишком слабы.	Вставьте антенный кабель надежно. Выберите станцию вручную.

Технические характеристики

Общие	
Источник питания	12 В постоянного тока
Потребляемый ток/Предохранитель	Максимум 10 А
Максимальная выходная мощность	50 Вт x 4 канала
Размеры (Д x Ш x В)	178 x 165 x 50 мм
Рабочий диапазон температур	-10°C - +60°C
Электронная система стабилизации	40 с CD, 120 с MP3, 300 с WMA
Сtereo FM радио	
Частотный диапазон	65 – 74 / 87.5 - 108.0 МГц
Используемая чувствительность	2.8 µВ
Память цифрового тюнера	24 станции
MW и LW радио	
Частотный диапазон	522 кГц - 1620 кГц
Память цифрового тюнера	12 станций
Аудио	
Максимальный уровень сигнала на выходе	2 В RMS (+/-3 дБ)
Частотный диапазон	20 Гц – 20 КГц
Уровень сигнал-шум (A-vtd)	60 дБ
DSP процессор	Classic, Rock, Pop, Flat
Линейный выход	CD макс. 2000 мВ

Технические характеристики могут быть изменены заводом-изготовителем без предварительного уведомления. Указанные геометрические размеры имеют приблизительные значения.



АИ49